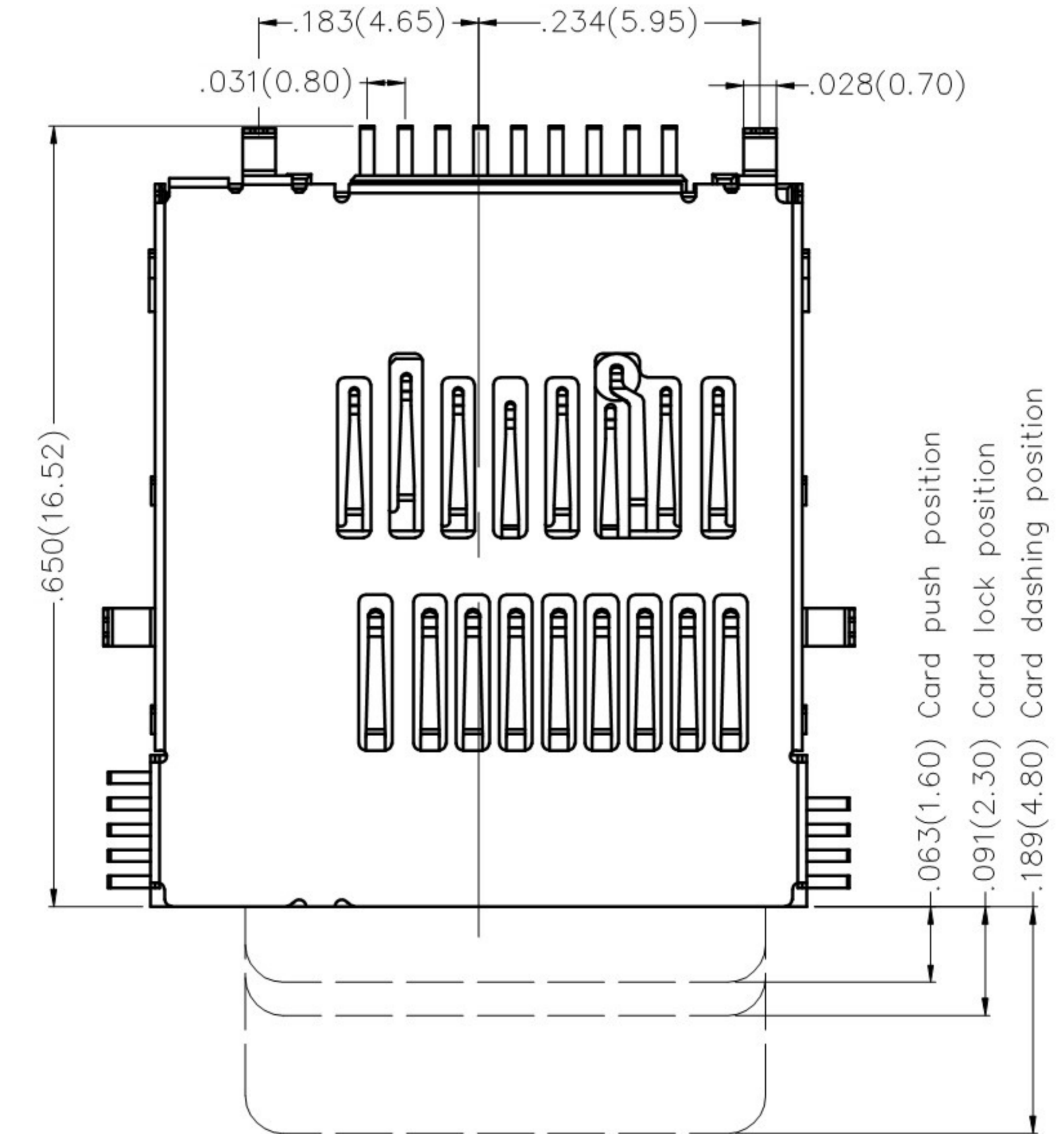
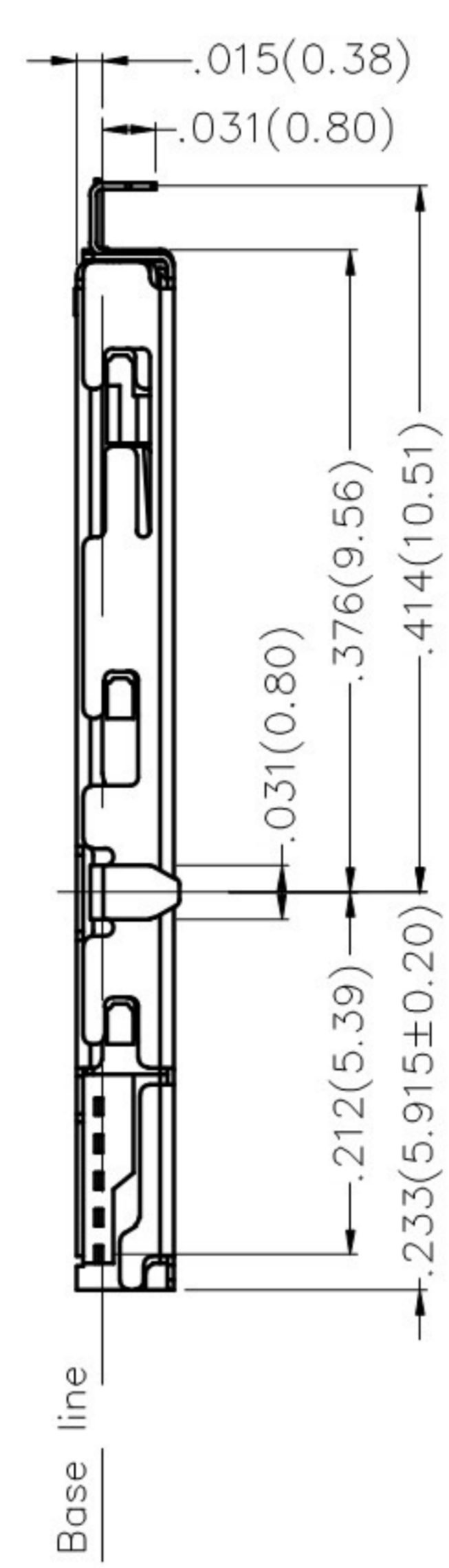
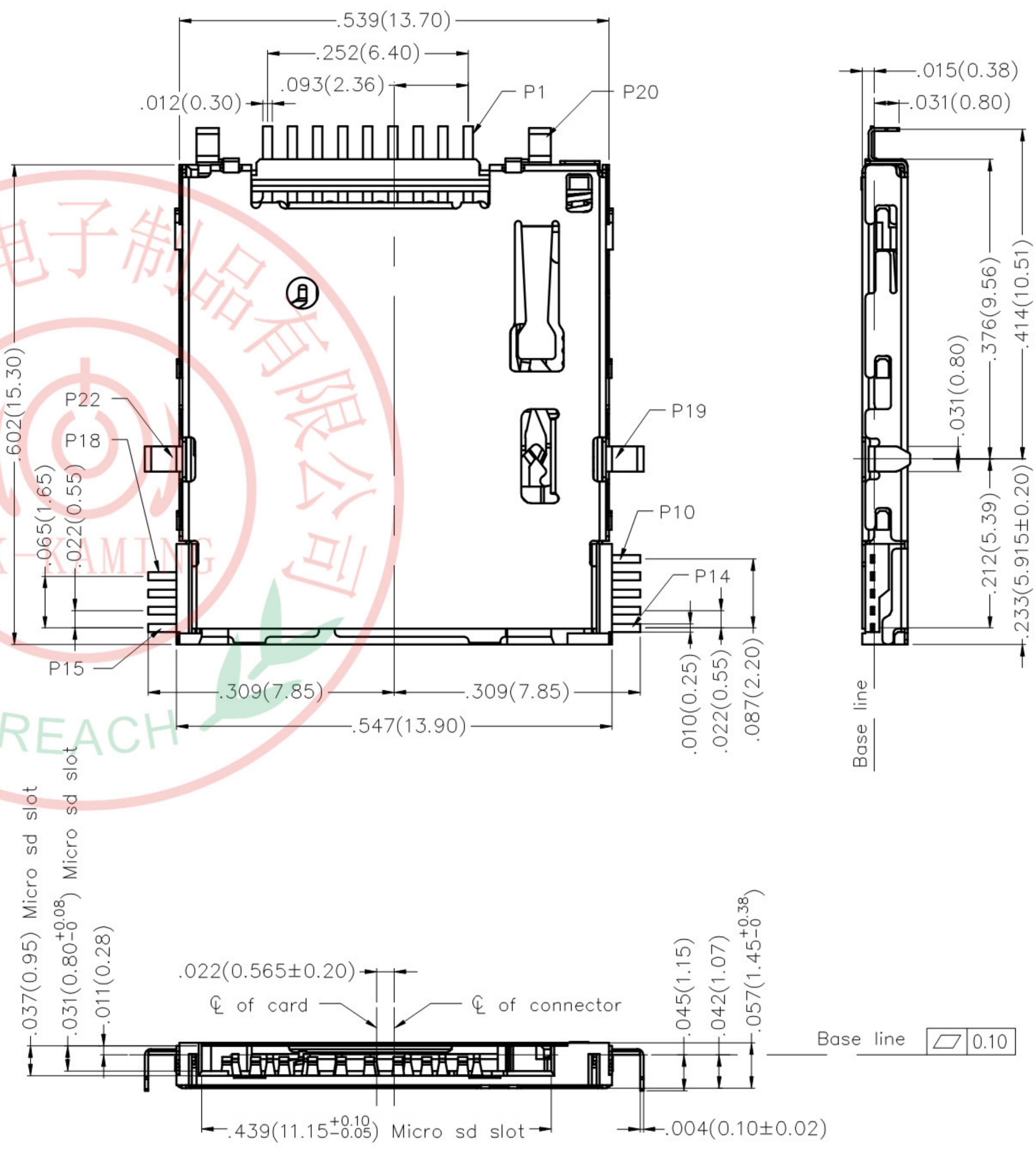


| REV | LOCATIONS | DESCRIPTION | DATE | REVISER | APPD |
|-----|-----------|-------------|------|---------|------|
| | | | | | |



| | | | | | | | | |
|---|---------------------------------------|------------|-------------------|----------------|--|-----------------|---------------|-------|
| THIRD ANGLE PROJECTION DESIGN UNITS Inch (metric) SCALE 5:1 SIZE A4 | GENERAL TOLERANCES (UNLESS SPECIFIED) | | APPROVE BY FRANK | DATE 12/JUL/19 | PART NO. FCD420-7M | ITEM NO. FCD420 | 3K-KAMING | |
| | X.±.012(0.30) | X.±5' | CHECKED BY CHERRY | DATE 12/JUL/19 | TITLE Micro sd card connector(H=1.45mm) | | | REV 0 |
| | X.XX±.008(0.20) | .X'±2' | DRAWN BY KATE | DATE 12/JUL/19 | THIS DRAWING CONTAINS INFORMATION THAT IS PROPRIETARY TO DONG GUAN LANG LUN(3K-KAMING) ELECTRONIC PRODUCTS CO., LTD. AND SHOULD NOT BE USED WITHOUT WRITTEN PERMISSION | | | |
| | X.XX±.006(0.15) | .XX'±1' | | | | | | |
| | X.XXX±.004(0.10) | .XXX'±0.5' | | | | | | |

| REV | LOCATIONS | DESCRIPTION | DATE | REVISER | APPD |
|-----|-----------|-------------|------|---------|------|
| | | | | | |

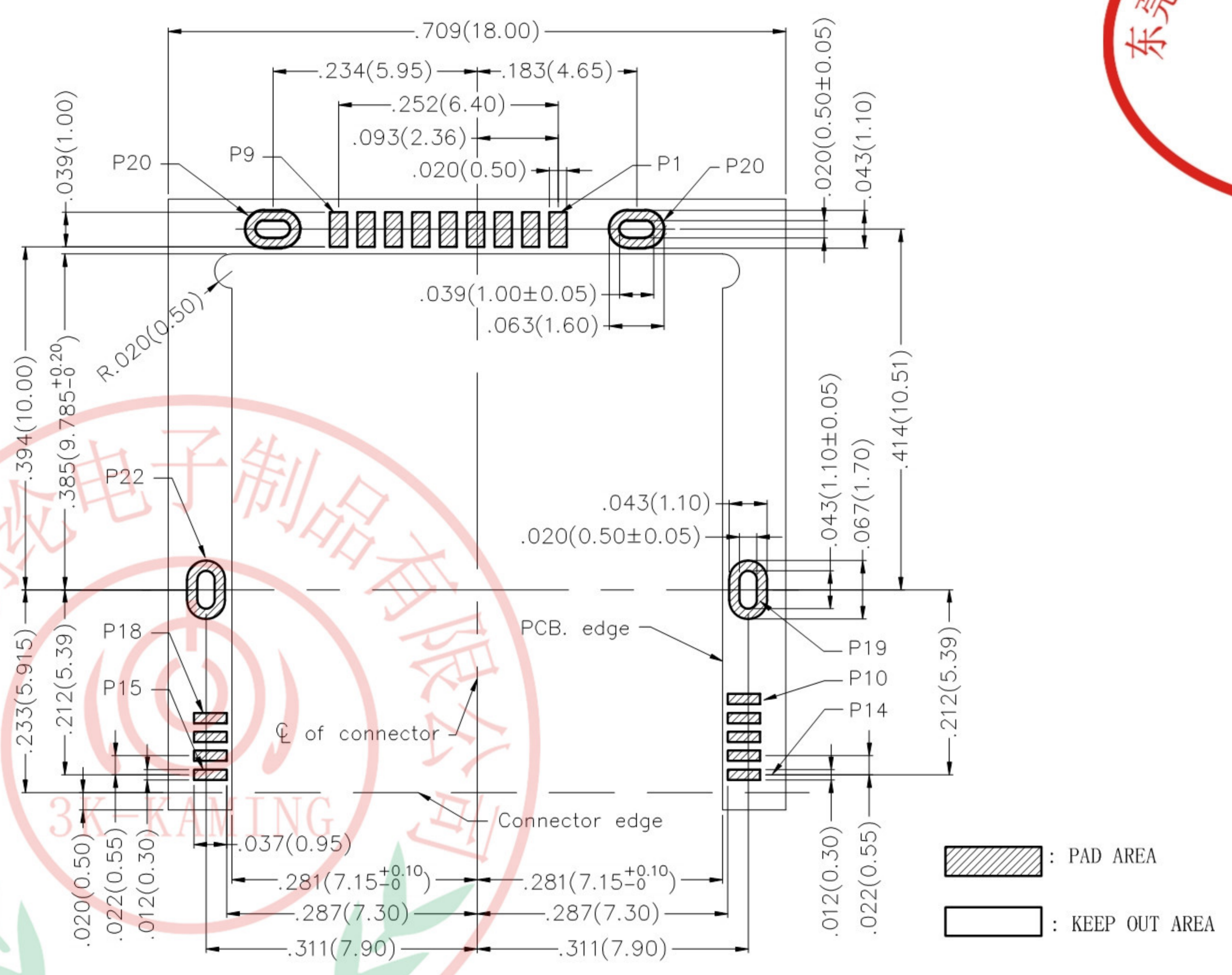


SPECIFICATIONS

Electrical
 Current Rating: 0.5A AC(rms)/DC
 Voltage Rating: 100V AC(rms)/DC
 Contact Resistance: 100 mΩ Max
 Insulation Resistance: 1000 MΩ Min/DC 250V
 Withstanding Voltage: 500V AC r.m.s
 Temperature Range-Operating: -25°C~+85°C

Material
 Housing: LCP (UL 94V-0) Black
 Contact: Copper alloy
 Shell: Stainless steel

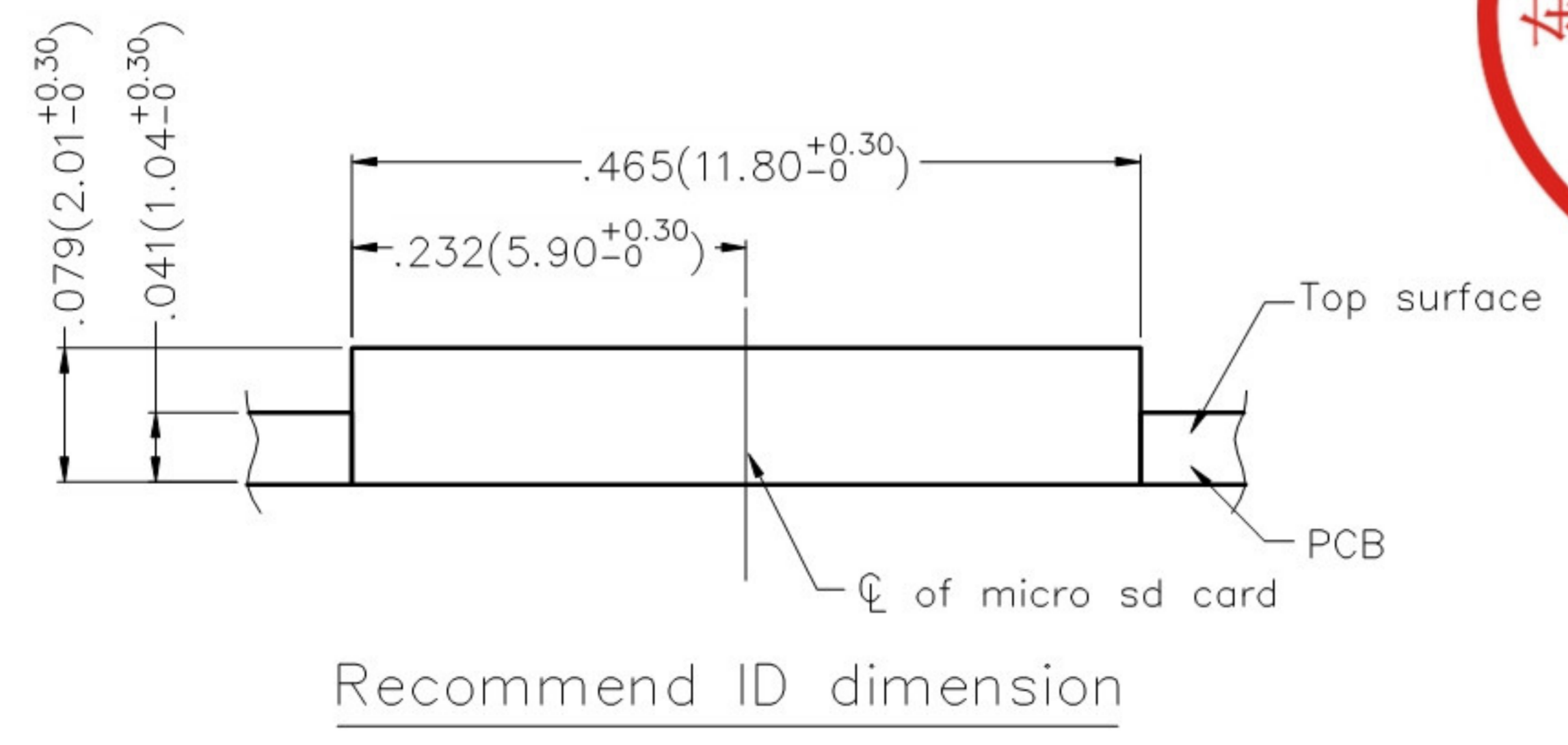
Plating
 Contact: 1μ" gold in contact area, tin in solder area,
 Nickel plated overall
 Shell: Nickel plated



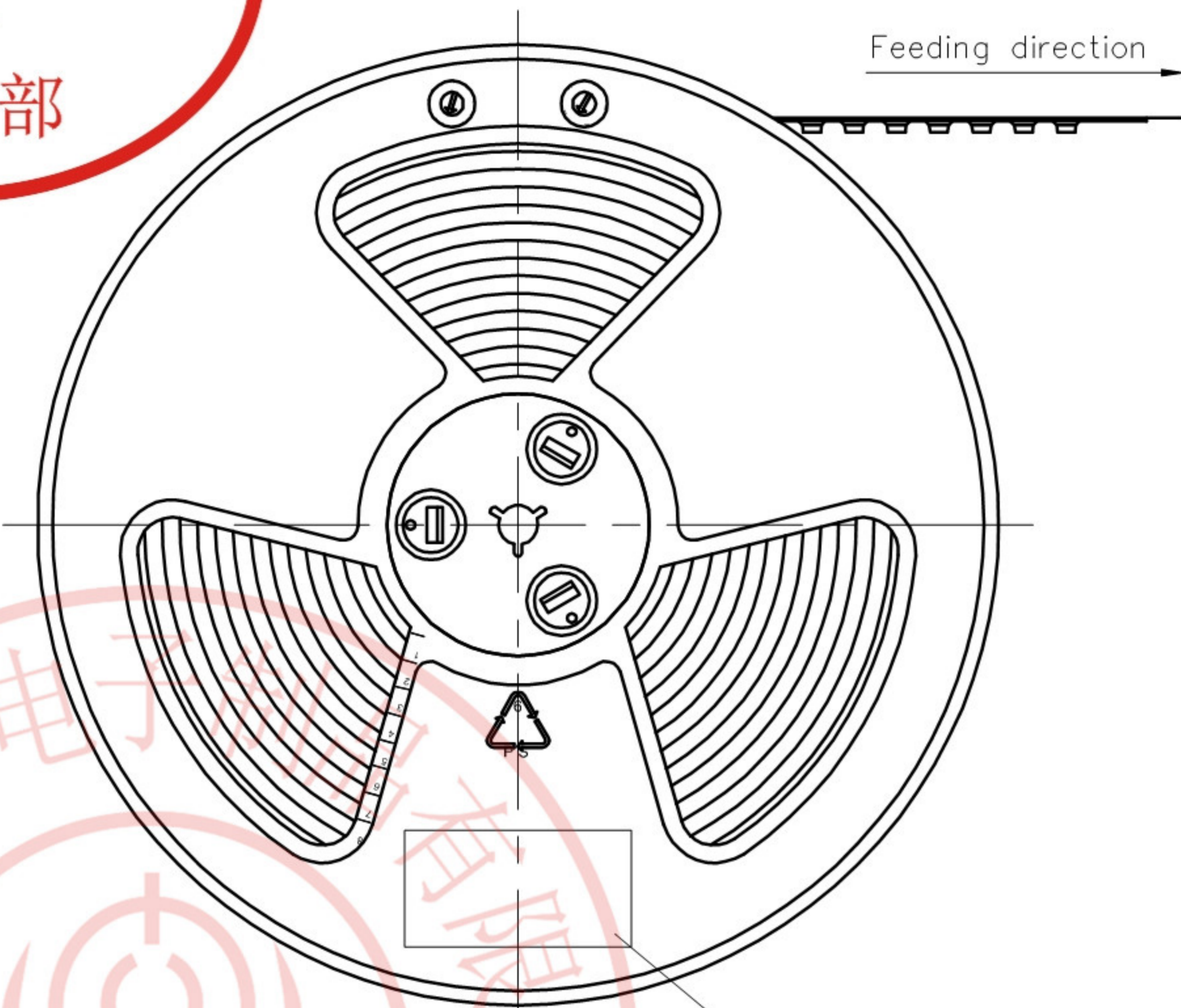
Recommended P.C.Board Layout
 General tolerances: ±.002(0.05)

| Pin No. | Pin Assignment |
|---------|---------------------|
| P1 | MICRO SD DAT2 |
| P2 | MICRO SD CD/DAT3 |
| P3 | MICRO SD CMD |
| P4 | MICRO SD VDD1 |
| P5 | MICRO SD CLK |
| P6 | MICRO SD VSS |
| P7 | MICRO SD DAT0/RCLK+ |
| P8 | MICRO SD DAT1/RCLK- |
| P9 | MICRO SD CD |
| P10 | MICRO SD VDD2 |
| P11 | MICRO SD SWIO |
| P12 | MICRO SD VSS |
| P13 | MICRO SD D0+ |
| P14 | MICRO SD D0- |
| P15 | MICRO SD VSS |
| P16 | MICRO SD D1- |
| P17 | MICRO SD D1+ |
| P18 | MICRO SD VSS |
| P19 | GND |
| P20 | GND |
| P21 | GND |
| P22 | GND |

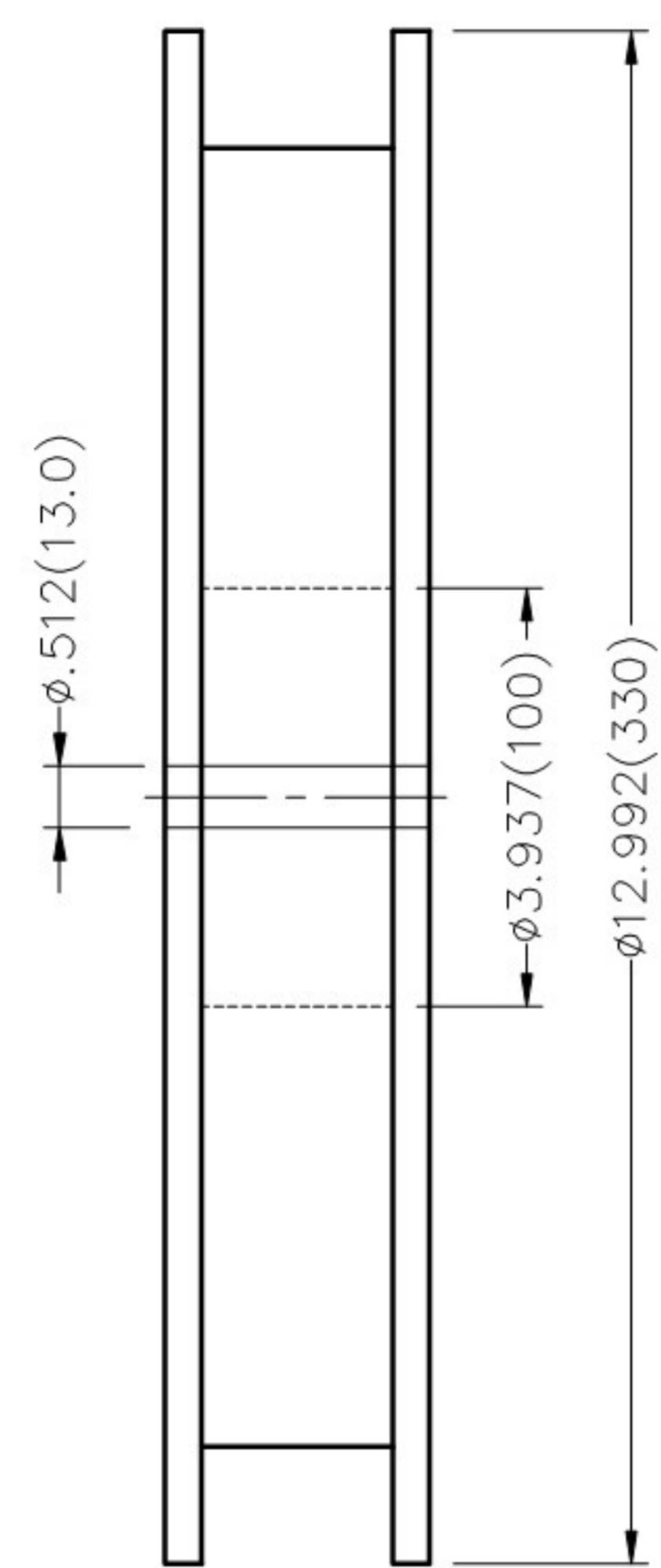
| | Card Detect Switch |
|---------------------|--------------------|
| Card Uninsertion | Open |
| Card Half Insertion | Open |
| Card Insertion | Close |
| N/O | |



| | | | | | | | | |
|---|---|--|---|---|---|--------------------|--------------------------------------|--|
| THIRD ANGLE PROJECTION DESIGN UNITS Inch (metric) SCALE 5:1 SIZE A4 | GENERAL TOLERANCES (UNLESS SPECIFIED) X.±.012(0.30) X.±5' X.X±.008(0.20) .X'±2' X.XX±.006(0.15) .XX'±1' X.XXX±.004(0.10) .XXX'±0.5' | | APPROVE BY FRANK CHECKED BY CHERRY DRAWN BY KATE | DATE 12/JUL/19 DATE 12/JUL/19 DATE 12/JUL/19 | PART NO. FCD420-7M TITLE Micro sd card connector(H=1.45mm) | ITEM NO. FCD420 | 3K-KAMING REV 0 SHEET NO. 2/3 | |
| | THIS DRAWING CONTAINS INFORMATION THAT IS PROPRIETARY TO DONG GUAN LANG LUN(3K-KAMING) ELECTRONIC PRODUCTS CO.,LTD. AND SHOULD NOT BE USED WITHOUT WRITTEN PERMISSION | | | | | | | |



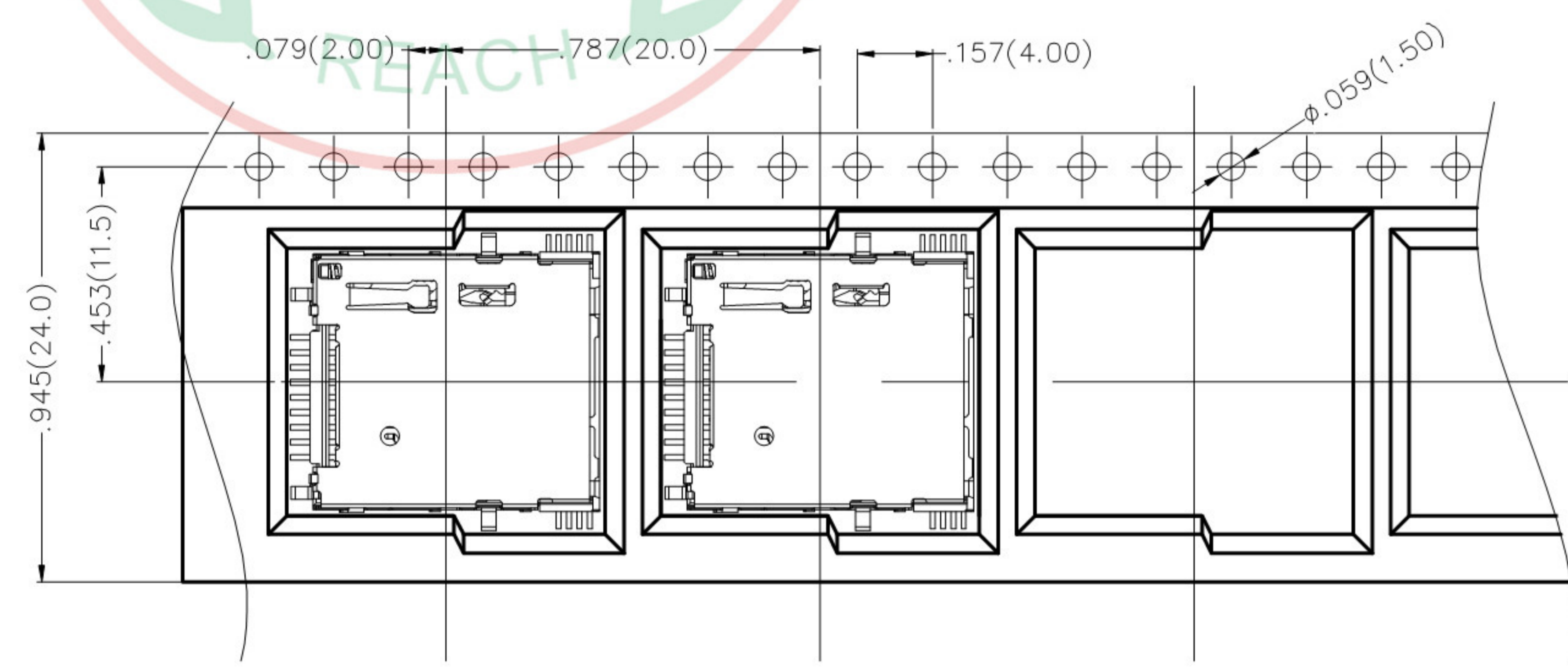
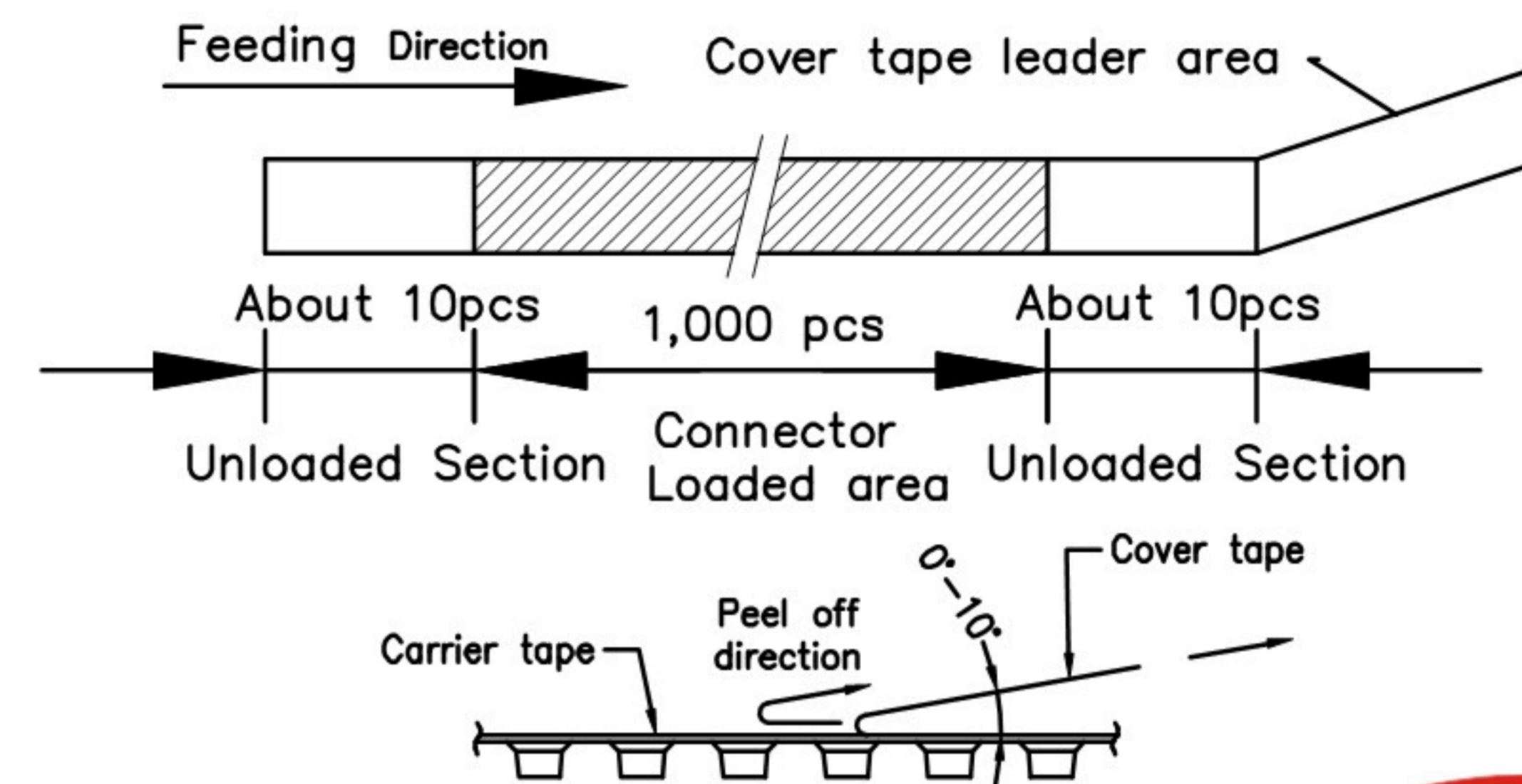
Interior Lable



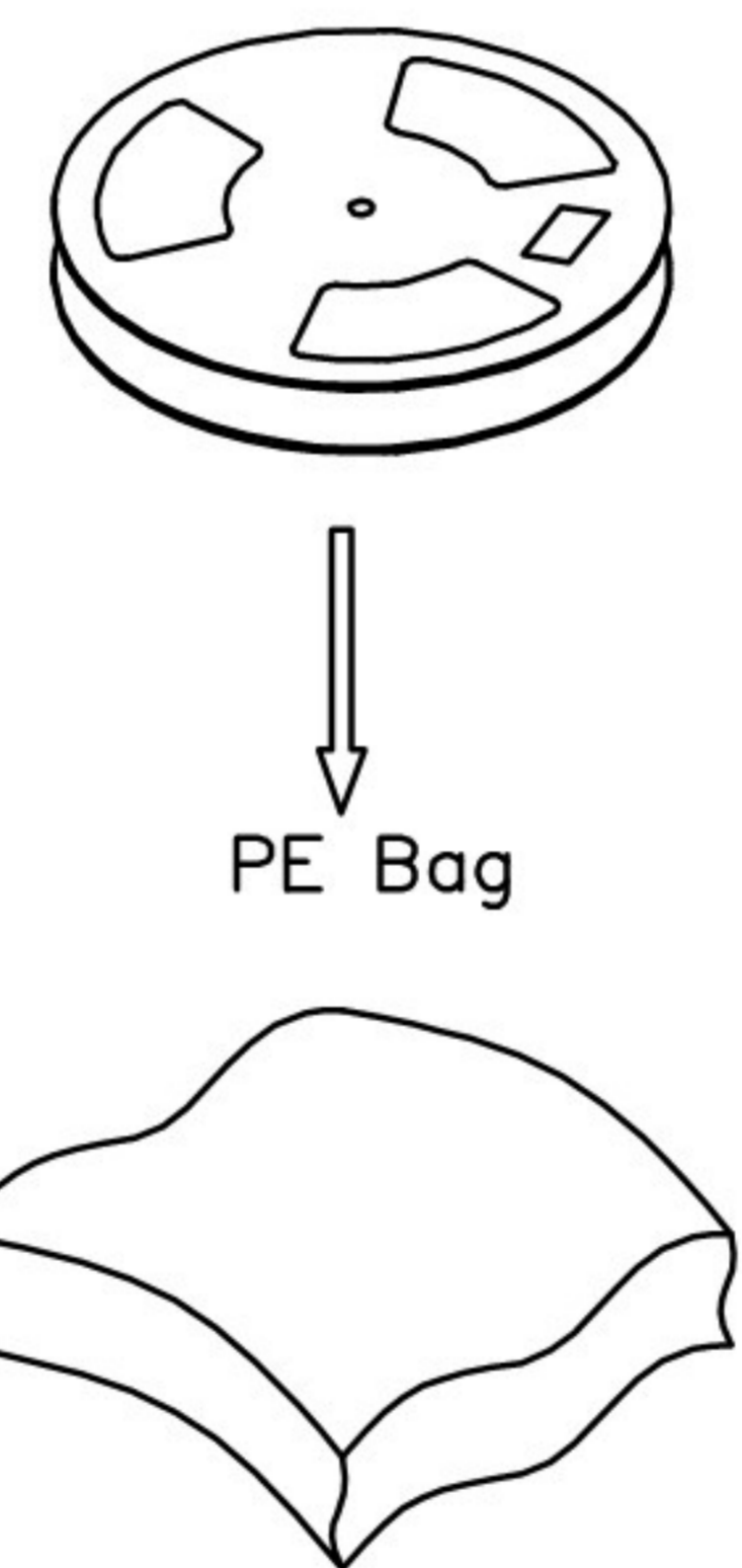
| REV | LOCATIONS | DESCRIPTION | DATE | REVISER | APPD |
|-----|-----------|-------------|------|---------|------|
| | | | | | |

Note:

- 10 sprocket hole cumulative tolerance ± 0.2
- Carrier camber is within 1.0mm in 100mm
- Material: White Conductive polystyrene Alloy 100% recyclable
- All dimensions meet EIA-481-3 requirements
- Component load per 13" reel: 1,000 pcs

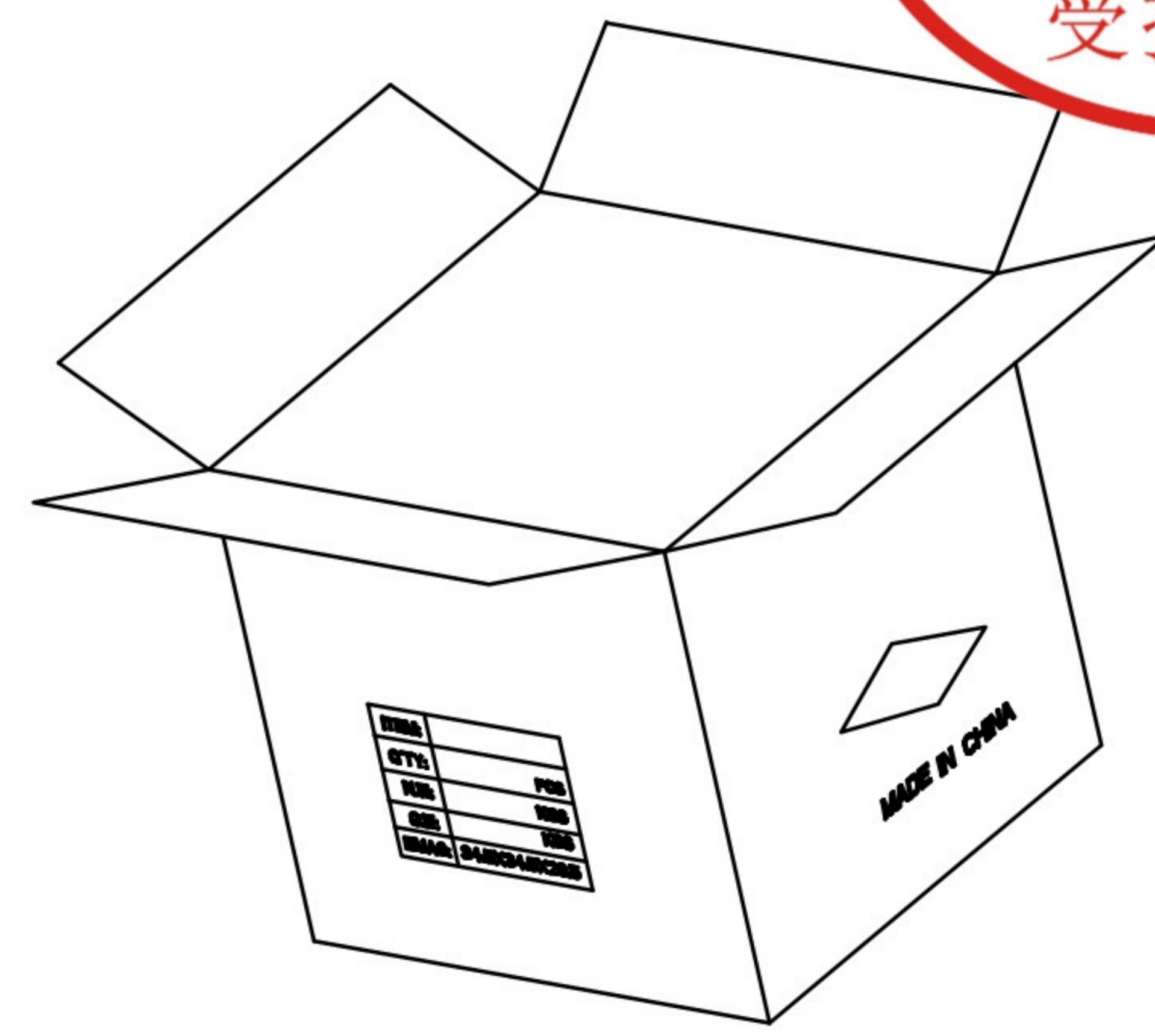


Feeding Direction



1,000 pcs/Reel

Drying agent/pcs



| | | | | | | | |
|---|---------------------------------------|------------------|----------------------|-------------------|--|--------------------|---------------|
| THIRD ANGLE PROJECTION DESIGN UNITS Inch (metric) SCALE 5:1 SIZE A4 | GENERAL TOLERANCES (UNLESS SPECIFIED) | | APPROVE BY FRANK | DATE 12/JUL/19 | PART NO. FCD420-7M | ITEM NO. FCD420 | 3K-KAMING |
| | X. \pm .012(0.30) | X. \pm 5' | CHECKED BY CHERRY | DATE 12/JUL/19 | TITLE Micro sd card connector(H=1.45mm) | | |
| | X.XX \pm .008(0.20) | .X' \pm 2' | DRAWN BY KATE | DATE 12/JUL/19 | THIS DRAWING CONTAINS INFORMATION THAT IS PROPRIETARY TO DONG GUAN LANG LUN(3K-KAMING) ELECTRONIC PRODUCTS CO., LTD. AND SHOULD NOT BE USED WITHOUT WRITTEN PERMISSION | | SHEET NO. 3/3 |
| | X.XX \pm .006(0.15) | .XX' \pm 1' | | | | | |
| | X.XXX \pm .004(0.10) | .XXX' \pm 0.5' | | | | | |