



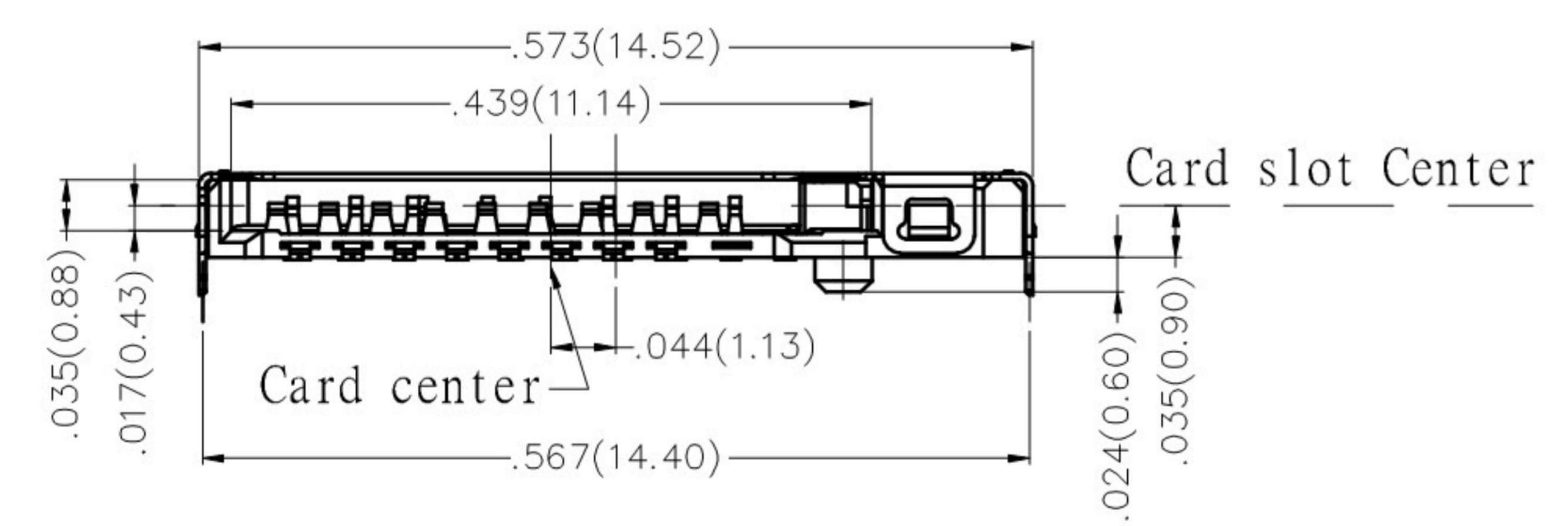
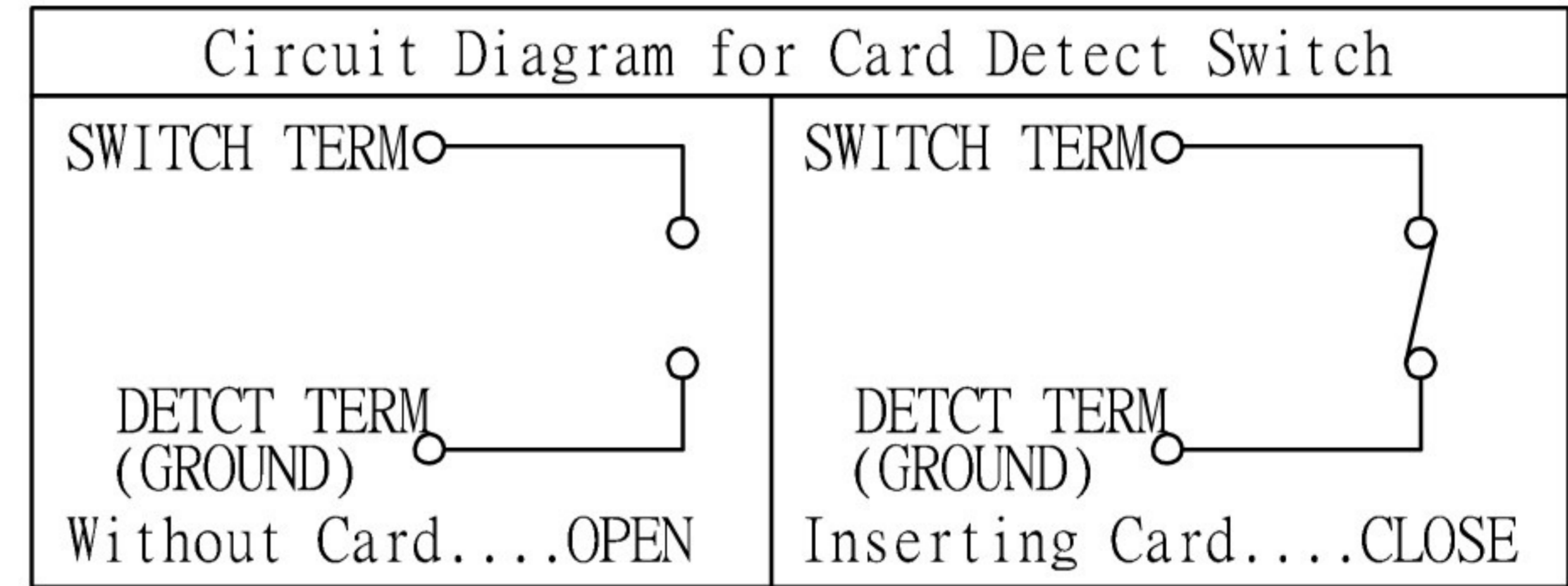
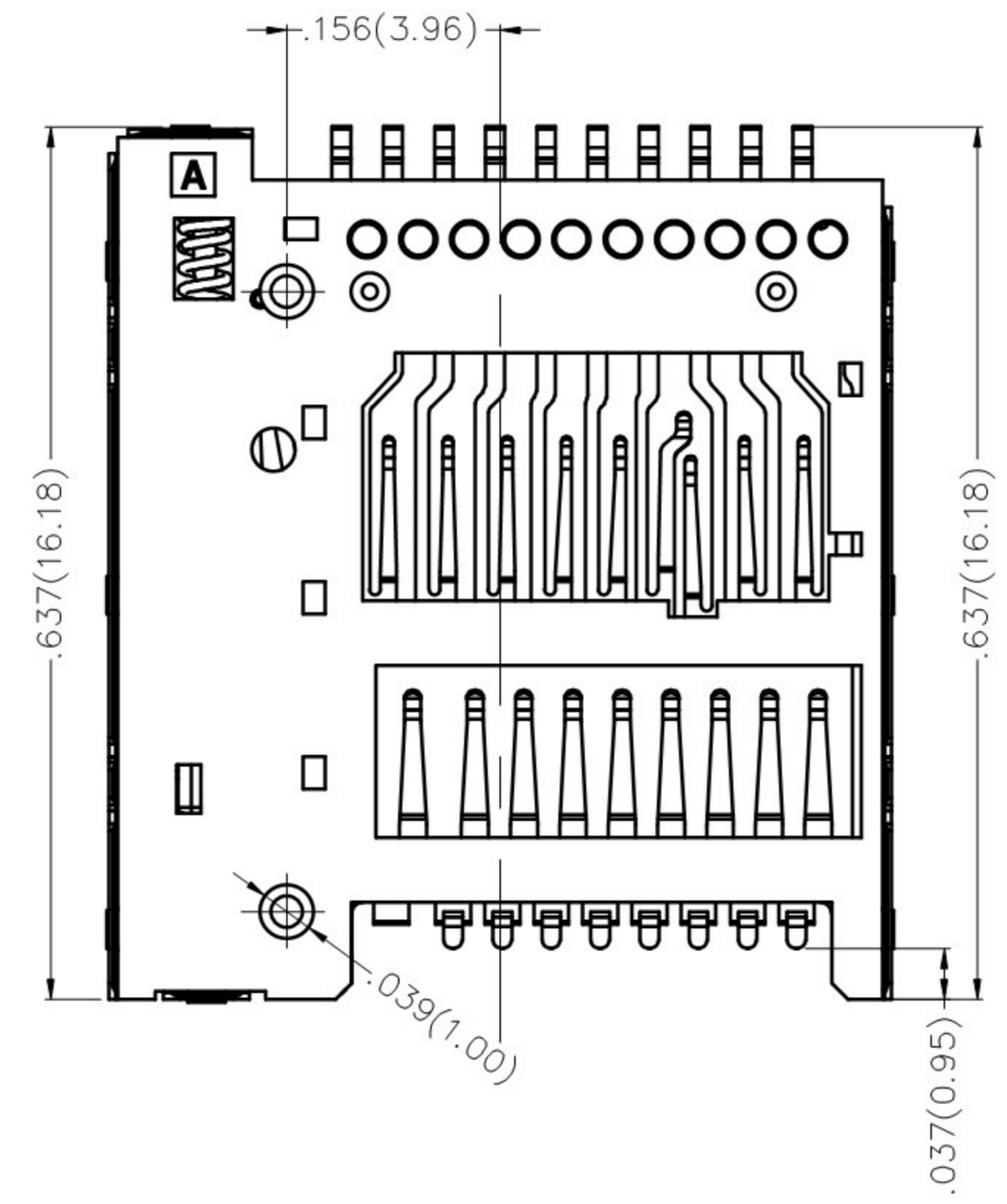
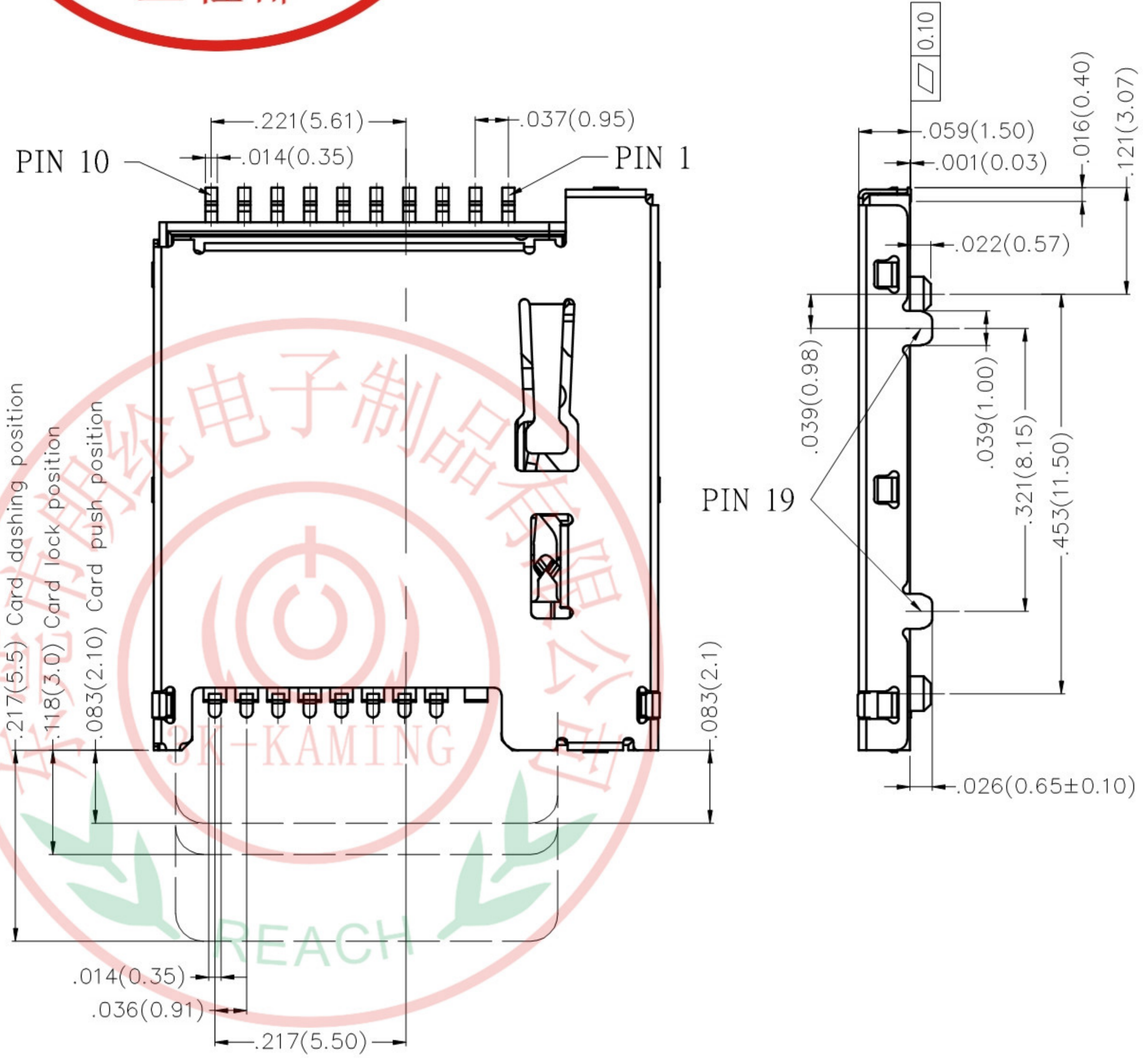
REV	LOCATIONS	DESCRIPTION	DATE	REVISER	APPD

SPECIFICATIONS

Electrical
 Current Rating: 0.5A AC(rms)/DC
 Voltage Rating: 100V AC(rms)/DC
 Contact Resistance: 100 mΩ Max
 Insulation Resistance: 1000 MΩ Min/DC 250V
 Withstanding Voltage: 500V AC r.m.s
 Temperature Range-Operating: -25°C~+85°C

Material
 Housing: LCP (UL 94V-0) Black
 Contact: Copper alloy
 Shell: Stainless steel

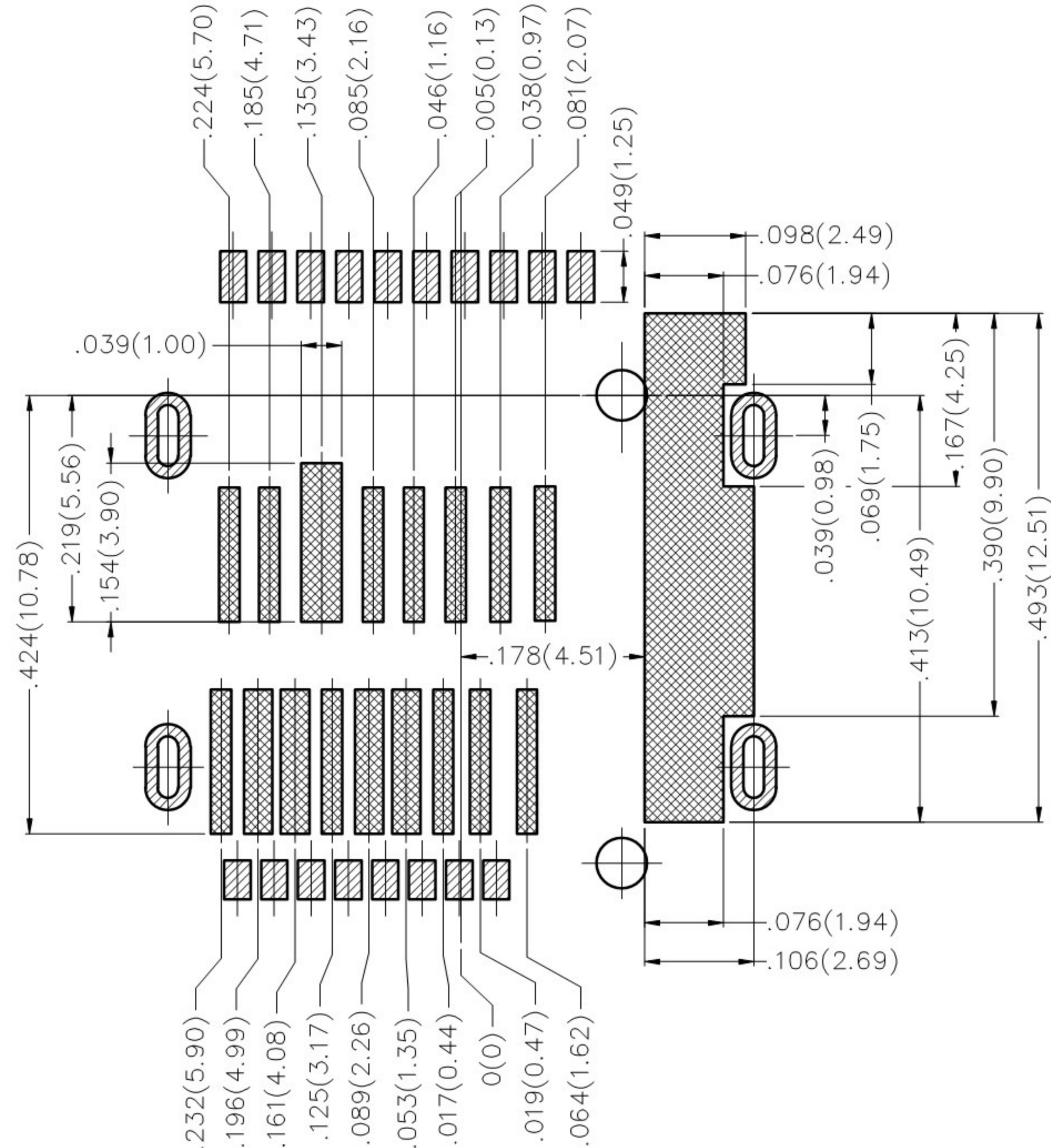
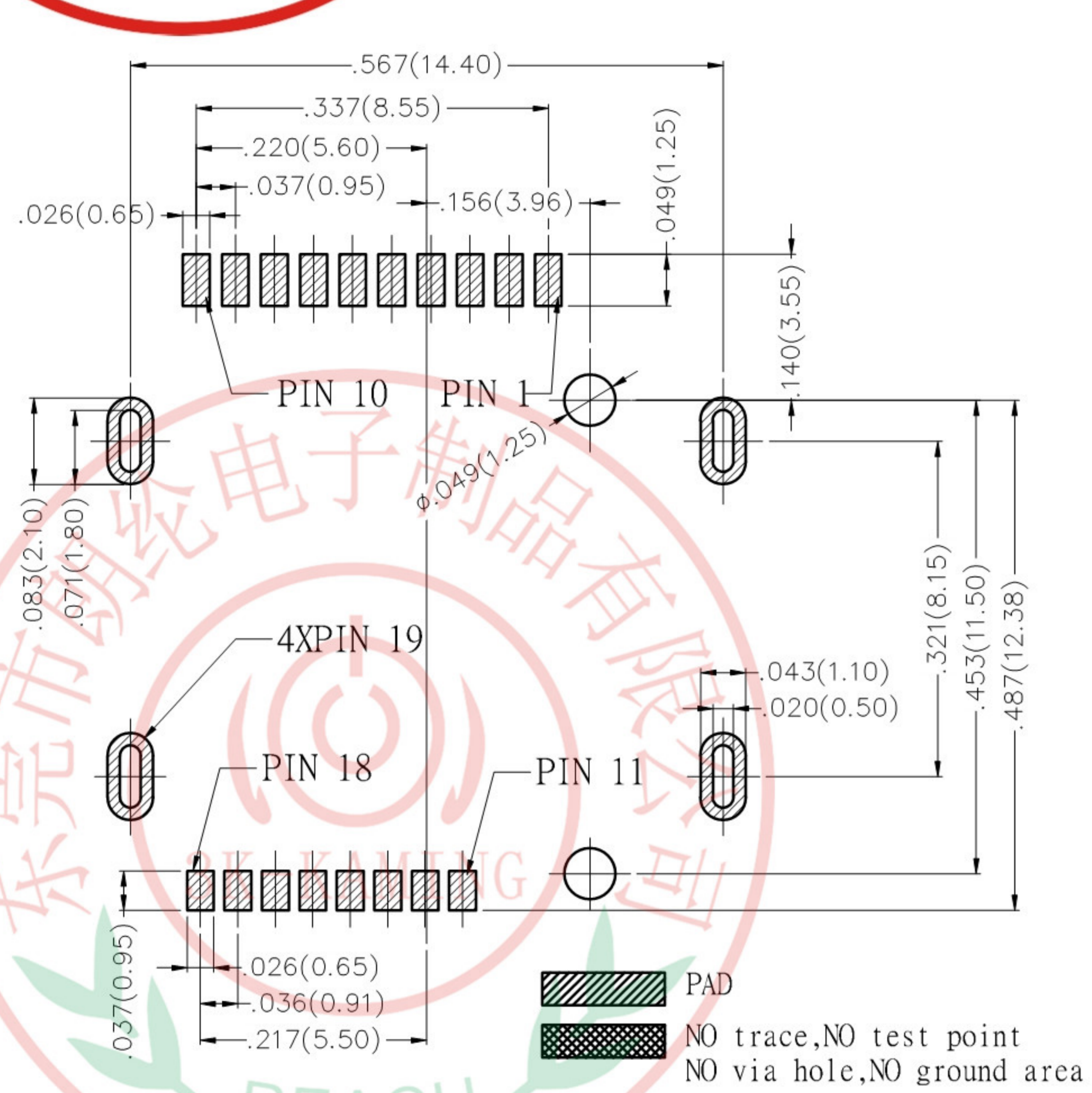
Plating
 Contact: 1μ" gold in contact area, tin in solder area,
 Nickel plated overall
 Shell: Nickel plated



 THIRD ANGLE PROJECTION DESIGN UNITS Inch (metric) SCALE 5:1 SIZE A4	GENERAL TOLERANCES (UNLESS SPECIFIED) X.±.012(0.30) X.±5' X.X±.008(0.20) .X'±2' X.XX±.006(0.15) .XX'±1' X.XXX±.004(0.10) .XXX'±0.5'		APPROVE BY FRANK CHECKED BY CHERRY DRAWN BY KATE	DATE 12/JUL/19 DATE 12/JUL/19 DATE 12/JUL/19	PART NO. FCD419-7M TITLE Micro sd card connector(H=1.5mm)	ITEM NO. FCD419	 3K-KAMING REV 0 SHEET NO. 1/3 THIS DRAWING CONTAINS INFORMATION THAT IS PROPRIETARY TO DONG GUAN LANG LUN(3K-KAMING) ELECTRONIC PRODUCTS CO., LTD. AND SHOULD NOT BE USED WITHOUT WRITTEN PERMISSION
---	---	--	---	---	--	--------------------	--



REV	LOCATIONS	DESCRIPTION	DATE	REVISER	APPD

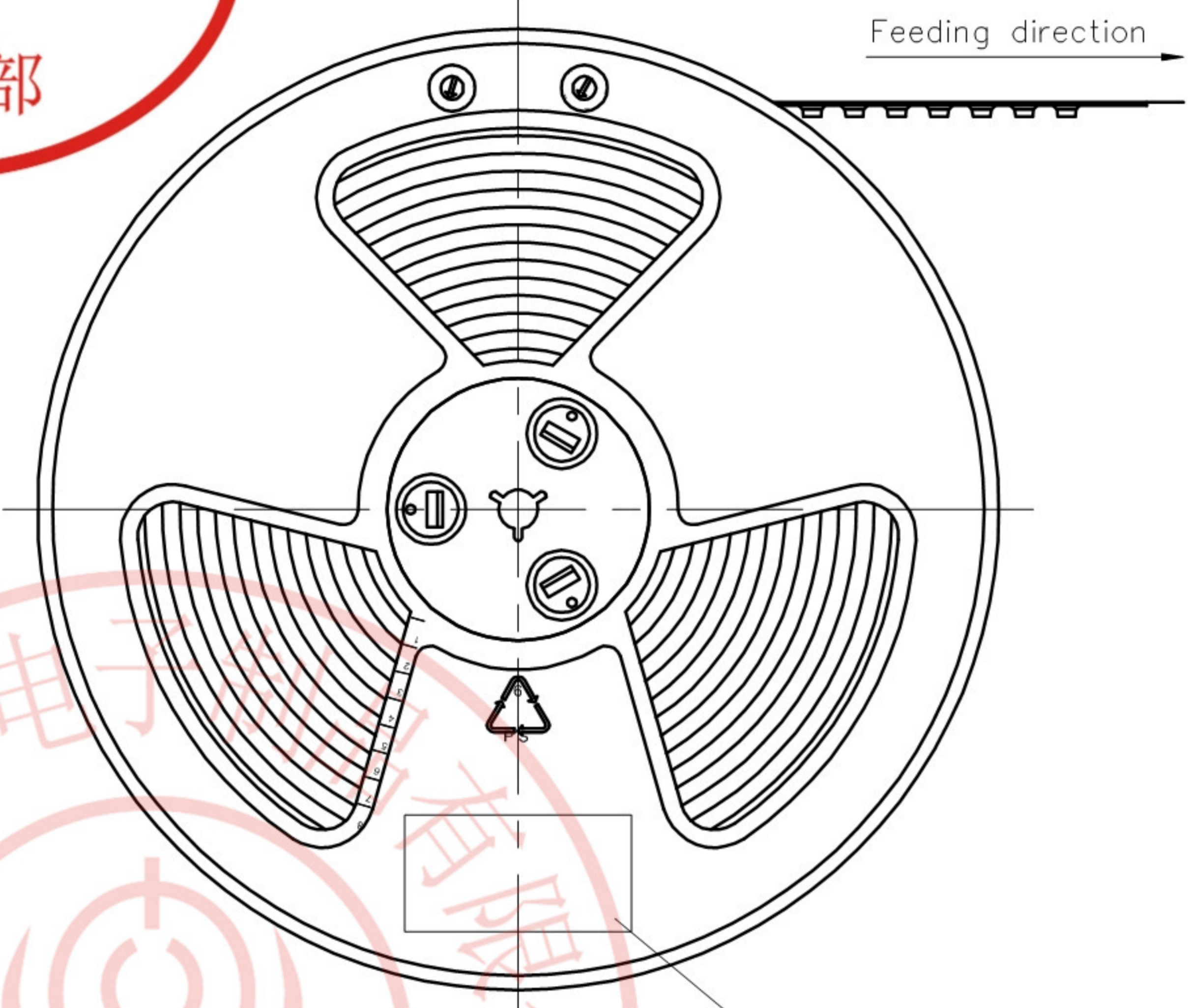


Connector PinNo.	MicroSD 4.0 Card Pin No.	Micro SD with UHS-II and SWIO support		
		Name	Type	Description
P1	P9	V _{cc2}	S	Supply voltage(1.8V)
P2	P1	DAT2	I/O	Data Line[Bit 2]
P3	P2	CD/DAT3	I/O	Card Detect/Data Line[Bit 3]
P4	P3	CMD	I/O	Command/Response
P5	P4	V _{cc1}	S	Supply voltage(3.3V)
P6	P5	CLK	I	Clock
P7		CD		
P8	P6	V _{ss}	S	Supply voltage ground
P9	P7	DAT0/RCLK+	I/O	Data Line[Bit 0]/RCLK+
P10	P8	DAT1/RCLK-	I/O	Data Line[Bit 1]/RCLK-
P11	P17	SWIO	I	Single Wire Protocol Interface
P12	P10	V _{ss}	S	Supply voltage ground
P13	P11	D0+	I/O	UHS-II D0+
P14	P12	D0-	I/O	UHS-II D0-
P15	P13	V _{ss}	S	Supply voltage ground
P16	P14	D1-	I/O	UHS-II D1-
P17	P15	D1+	I/O	UHS-II D1+
P18	P16	V _{ss}	S	Supply voltage ground
P19	GND		GROUND	

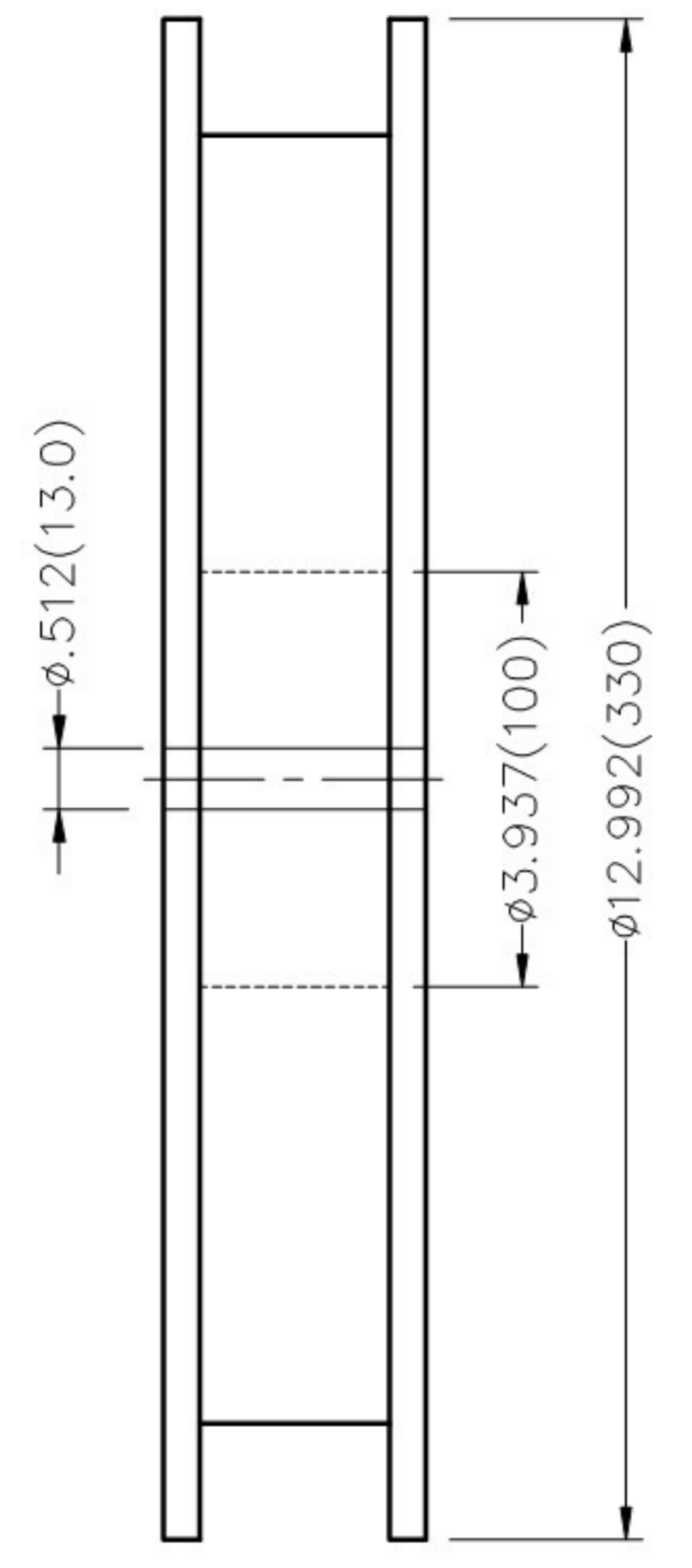
Recommended P.C.Board Layout
 General tolerances: ±.002(0.05)



 THIRD ANGLE PROJECTION DESIGN UNITS Inch (metric) SCALE 5:1 SIZE A4	GENERAL TOLERANCES (UNLESS SPECIFIED)		APPROVE BY	DATE	PART NO.	ITEM NO.	 3K-KAMING REV 0 SHEET NO. 2/3
	X.±.012(0.30)	X.±5'	FRANK	12/JUL/19	FCD419-7M	FCD419	
	X.X±.008(0.20)	.X'±2'	CHECKED BY	DATE	TITLE		
	X.XX±.006(0.15)	.XX'±1'	CHERRY	12/JUL/19	Micro sd card connector(H=1.5mm)		
	X.XXX±.004(0.10)	.XXX'±0.5'	DRAWN BY	DATE	THIS DRAWING CONTAINS INFORMATION THAT IS PROPRIETARY TO DONG GUAN LANG LUN(3K-KAMING) ELECTRONIC PRODUCTS CO., LTD. AND SHOULD NOT BE USED WITHOUT WRITTEN PERMISSION		
			KATE	12/JUL/19			

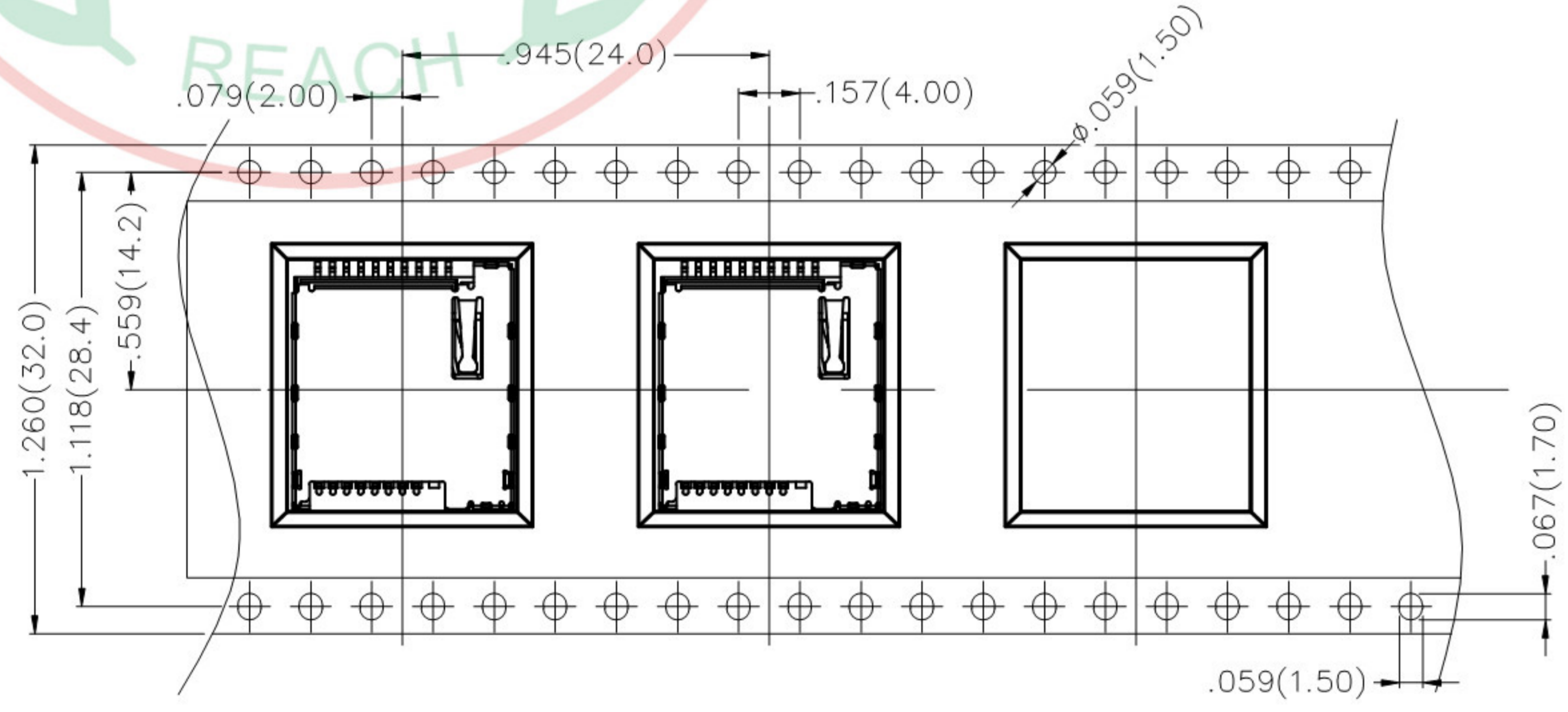
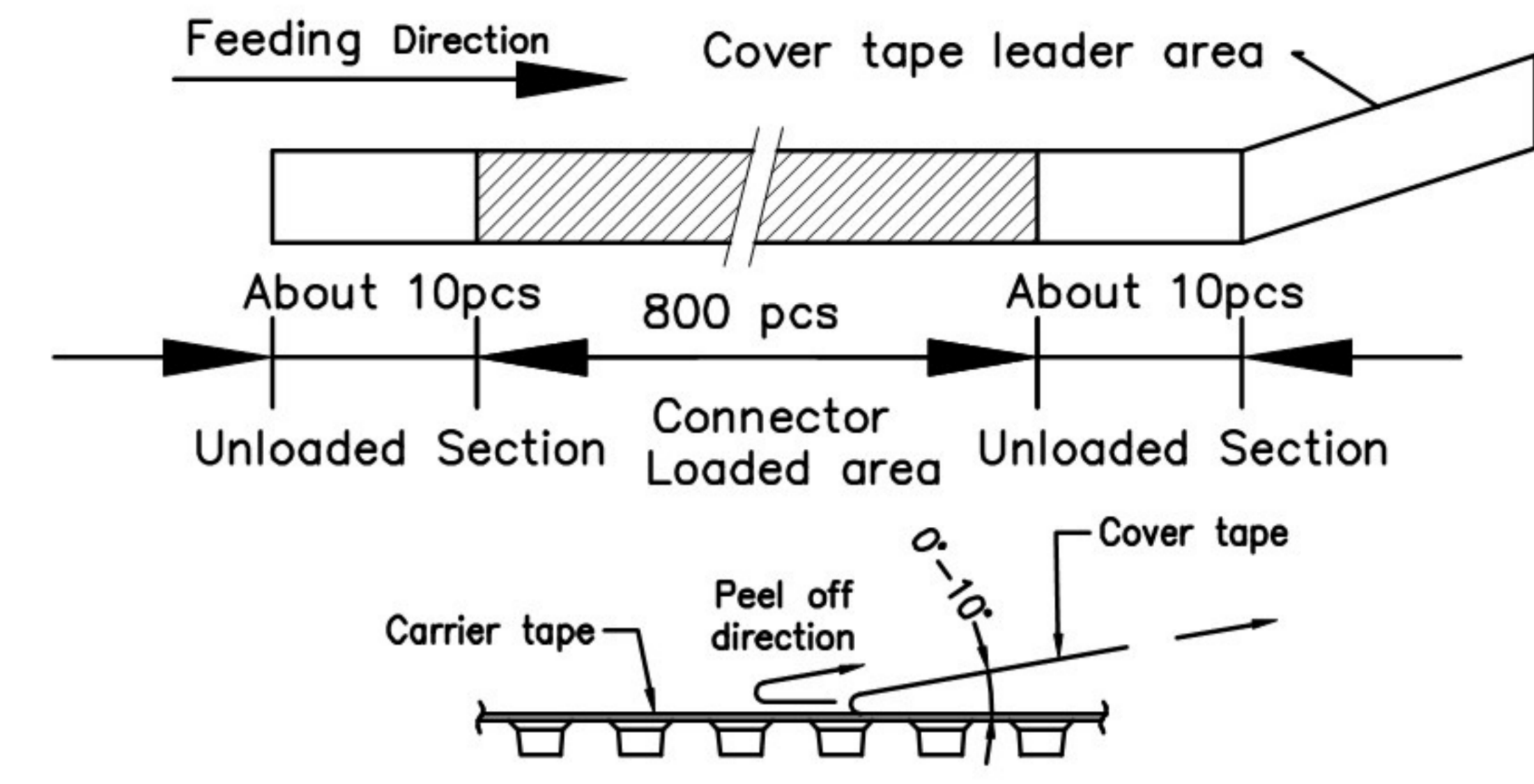


Interior Lable

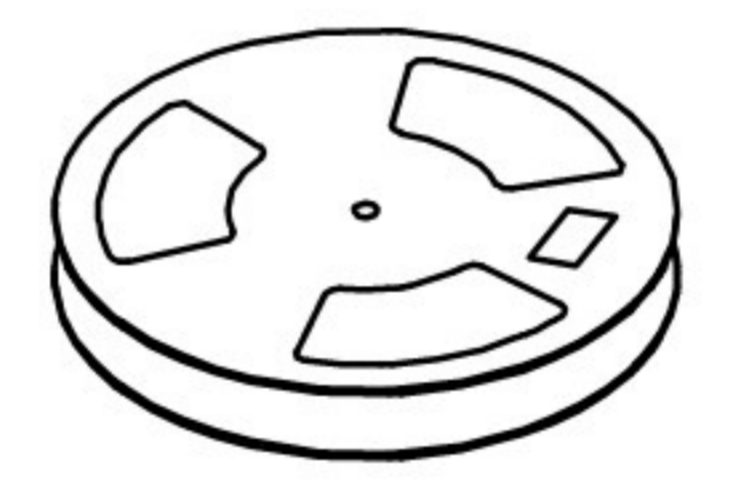


REV	LOCATIONS	DESCRIPTION	DATE	REVISER	APPD

- Note:
- 10 sprocket hole cumulative tolerance ± 0.2
 - Carrier camber is within 1.0mm in 100mm
 - Material: White Conductive polystyrene Alloy 100% recyclable
 - All dimensions meet EIA-481-3 requirements
 - Component load per 13" reel: 800 pcs

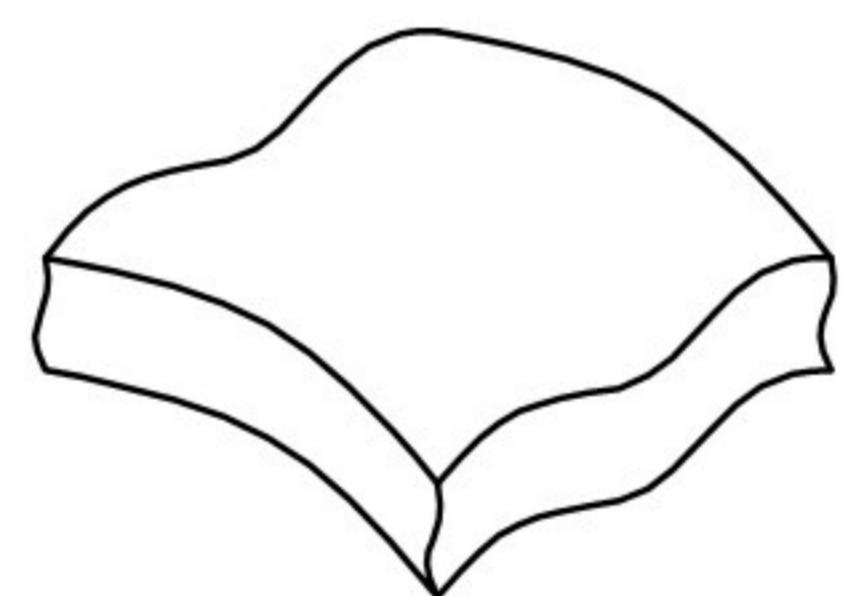


Feeding Direction

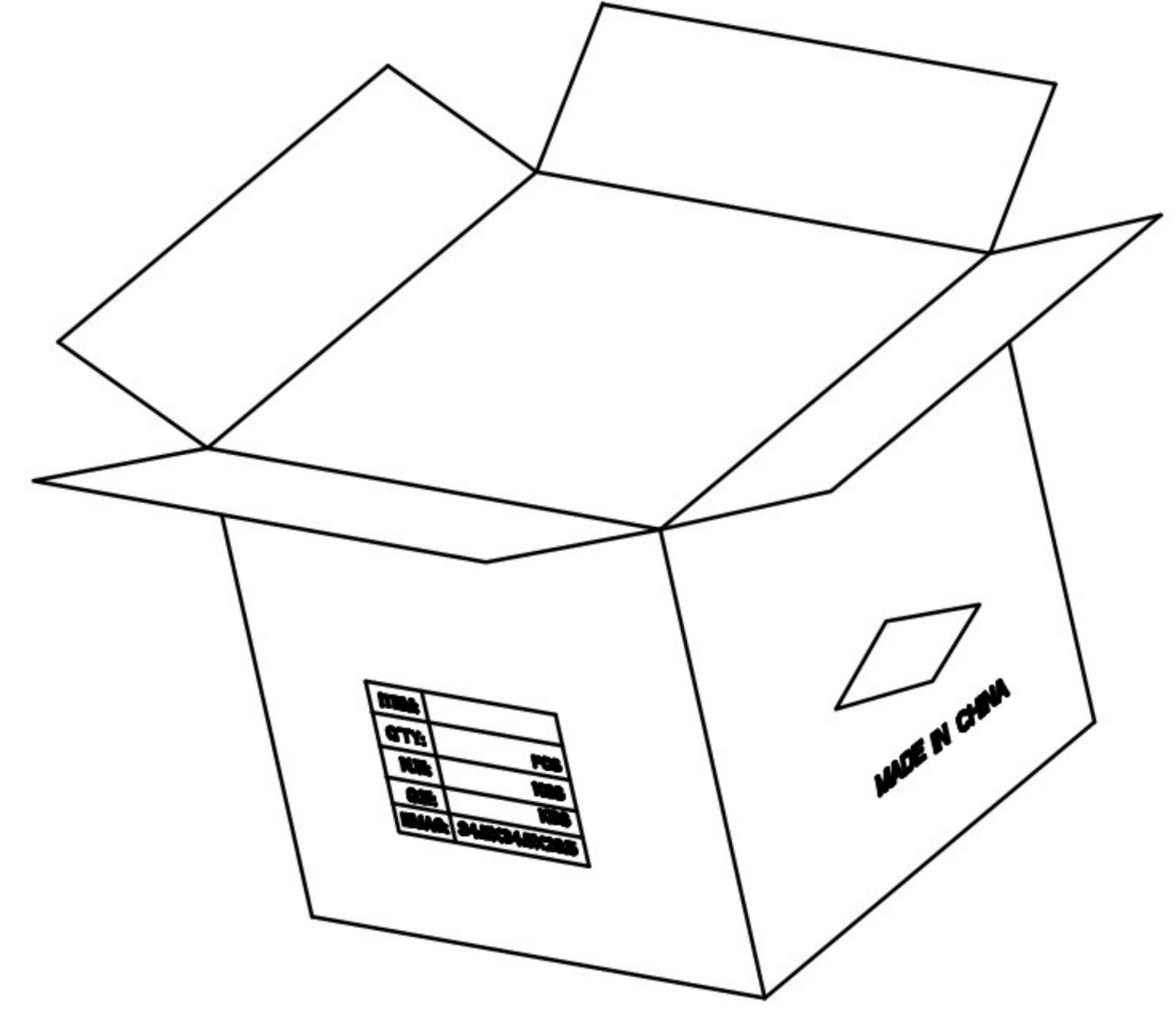


800 pcs/Reel

PE Bag



Drying agent/pcs



 THIRD ANGLE PROJECTION	GENERAL TOLERANCES (UNLESS SPECIFIED)		APPROVE BY	DATE	PART NO.	ITEM NO.	 3K-KAMING
	X. \pm .012(0.30)	X. \pm 5'	FRANK	12/JUL/19	FCD419-7M	FCD419	
DESIGN UNITS Inch (metric)	X.X \pm .008(0.20)	.X' \pm 2'	CHECKED BY	DATE	TITLE		REV 0
SCALE	X.XX \pm .006(0.15)	.XX' \pm 1'	CHERRY	12/JUL/19	Micro sd card connector(H=1.5mm)		
5:1	X.XXX \pm .004(0.10)	.XXX' \pm 0.5'	DRAWN BY	DATE	THIS DRAWING CONTAINS INFORMATION THAT IS PROPRIETARY TO DONG GUAN LANG LUN(3K-KAMING) ELECTRONIC PRODUCTS CO.,LTD. AND SHOULD NOT BE USED WITHOUT WRITTEN PERMISSION		
SIZE			KATE	12/JUL/19			
A4							