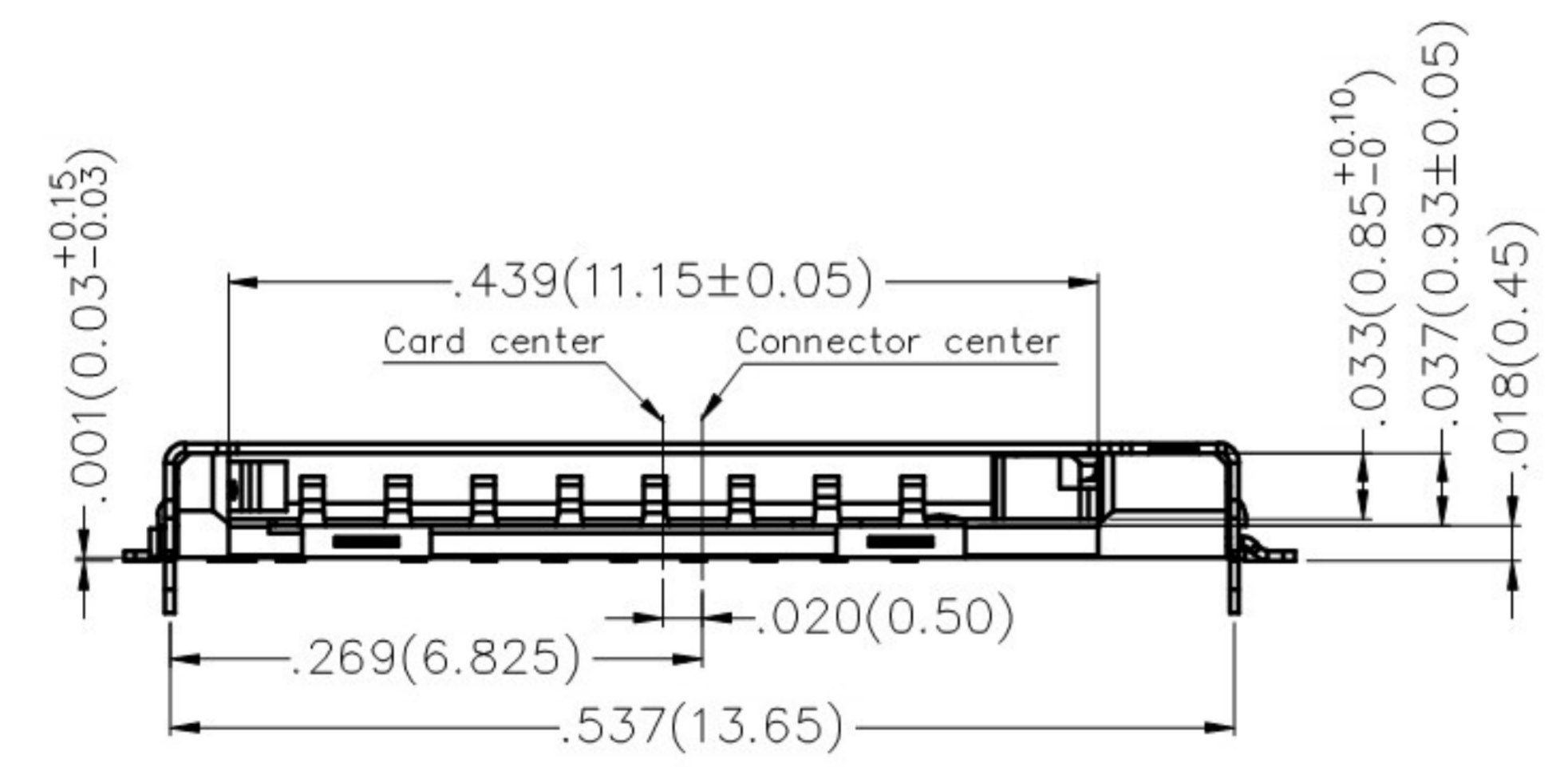
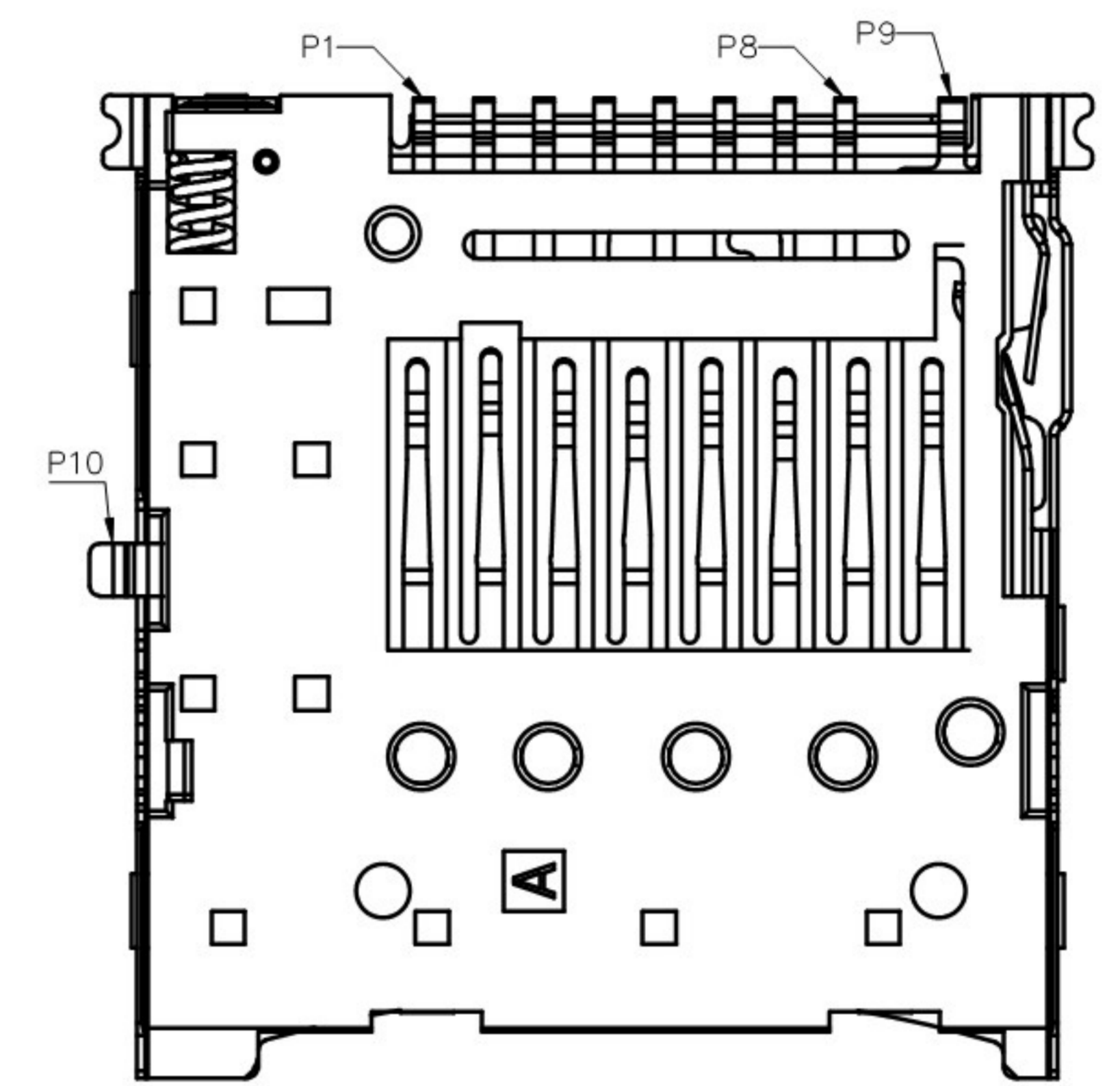
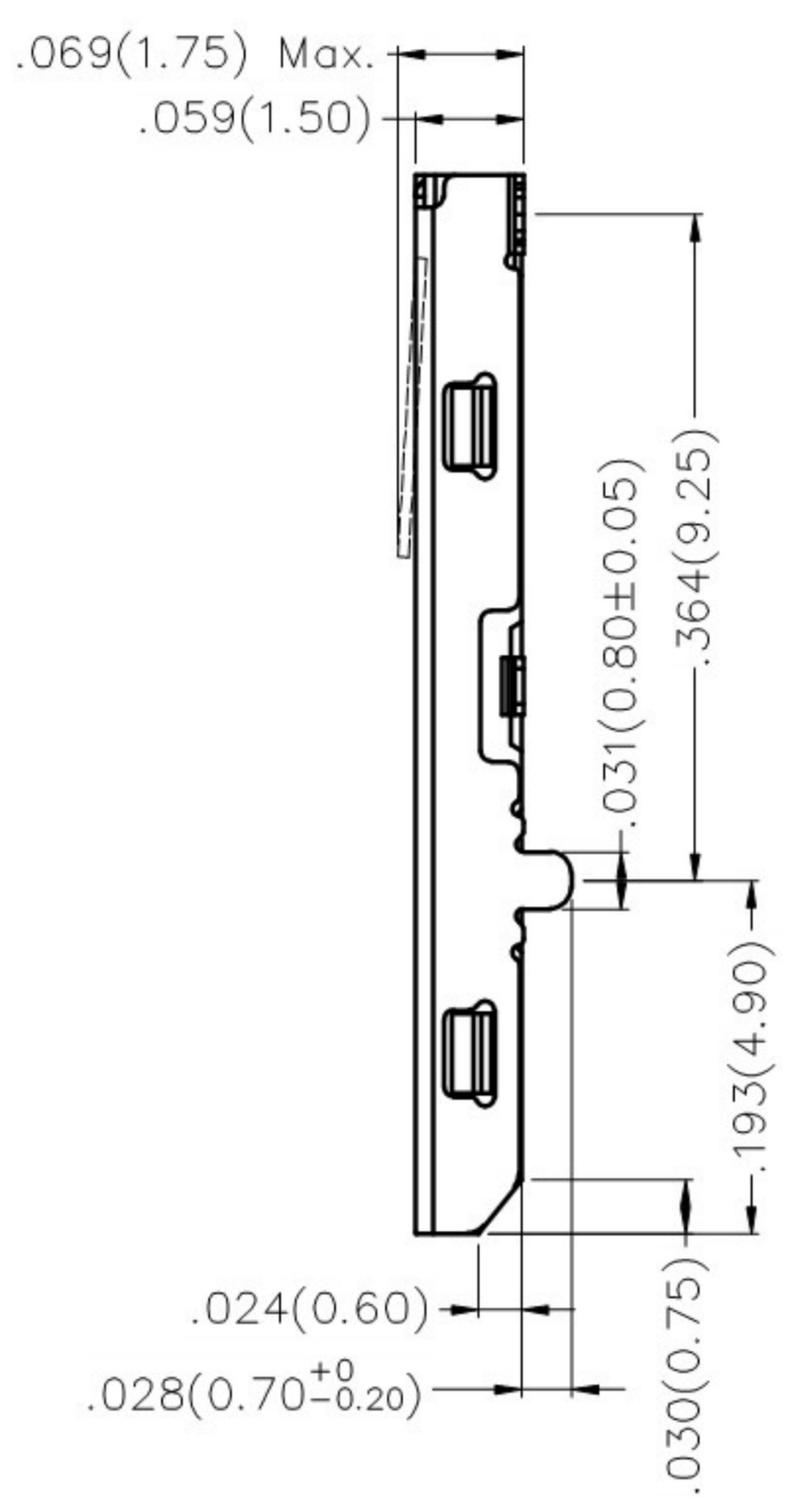
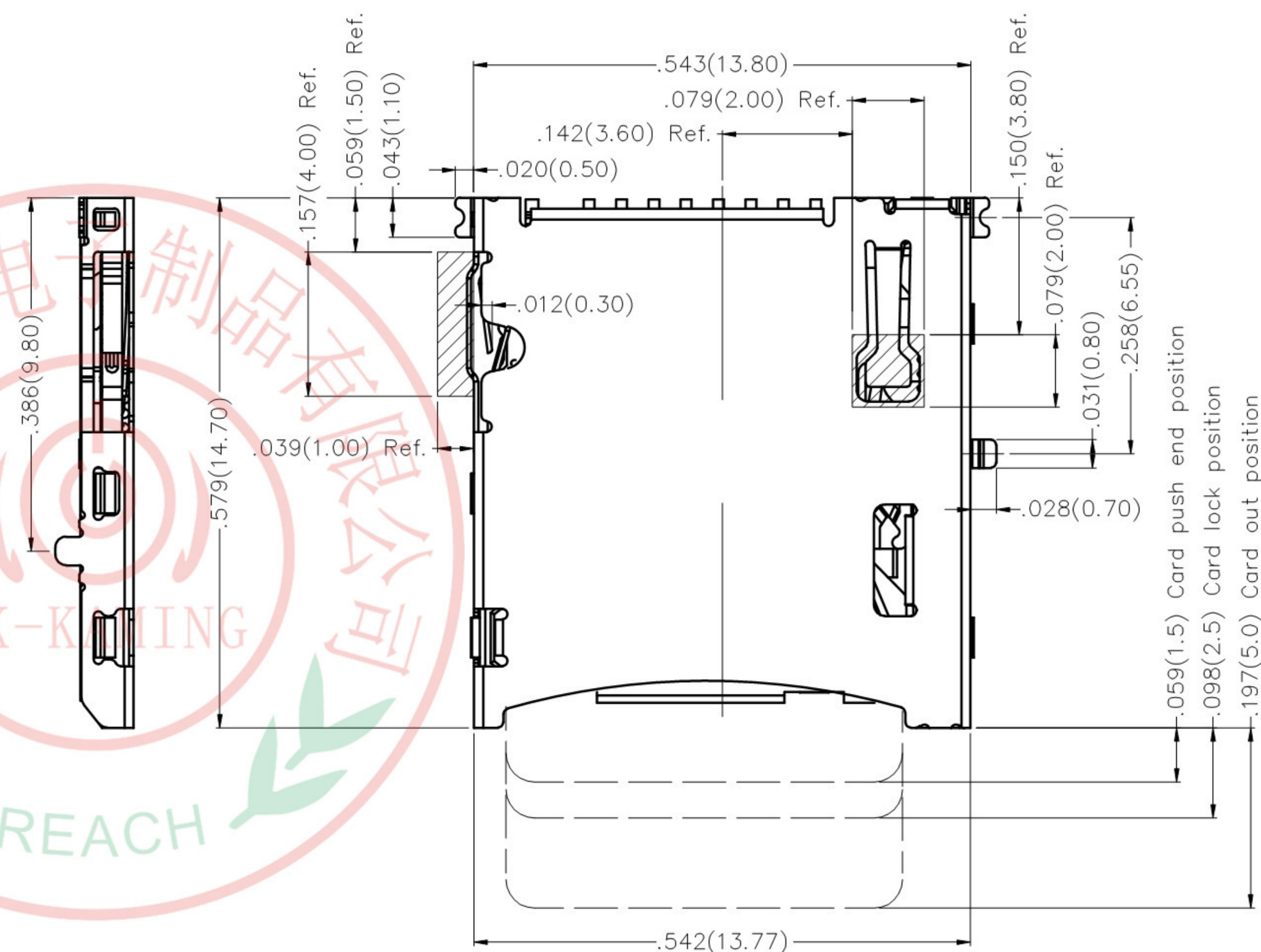
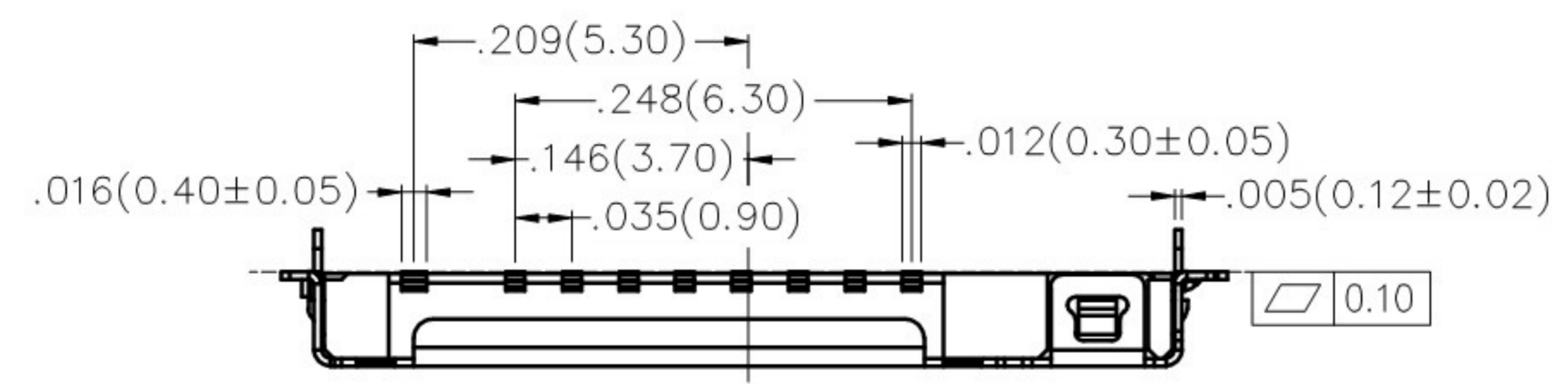


REV	LOCATIONS	DESCRIPTION	DATE	REVISER	APPD



 THIRD ANGLE PROJECTION DESIGN UNITS Inch (metric) SCALE 5:1 SIZE A4	GENERAL TOLERANCES (UNLESS SPECIFIED)		APPROVE BY FRANK	DATE 12/JUL/19	PART NO. FCD418-7M	ITEM NO. FCD418	 3K-KAMING REV 0 SHEET NO. 1/3
	X.±.012(0.30)	X.±5'	CHECKED BY CHERRY	DATE 12/JUL/19	TITLE Micro sd card connector(H=1.5mm)		
	X.X±.008(0.20)	.X'±2'	DRAWN BY KATE	DATE 12/JUL/19	THIS DRAWING CONTAINS INFORMATION THAT IS PROPRIETARY TO DONG GUAN LANG LUN (3K-KAMING) ELECTRONIC PRODUCTS CO., LTD. AND SHOULD NOT BE USED WITHOUT WRITTEN PERMISSION		
	X.XX±.006(0.15)	.XX'±1'					
	X.XXX±.004(0.10)	.XXX'±0.5'					

REV	LOCATIONS	DESCRIPTION	DATE	REVISER	APPD

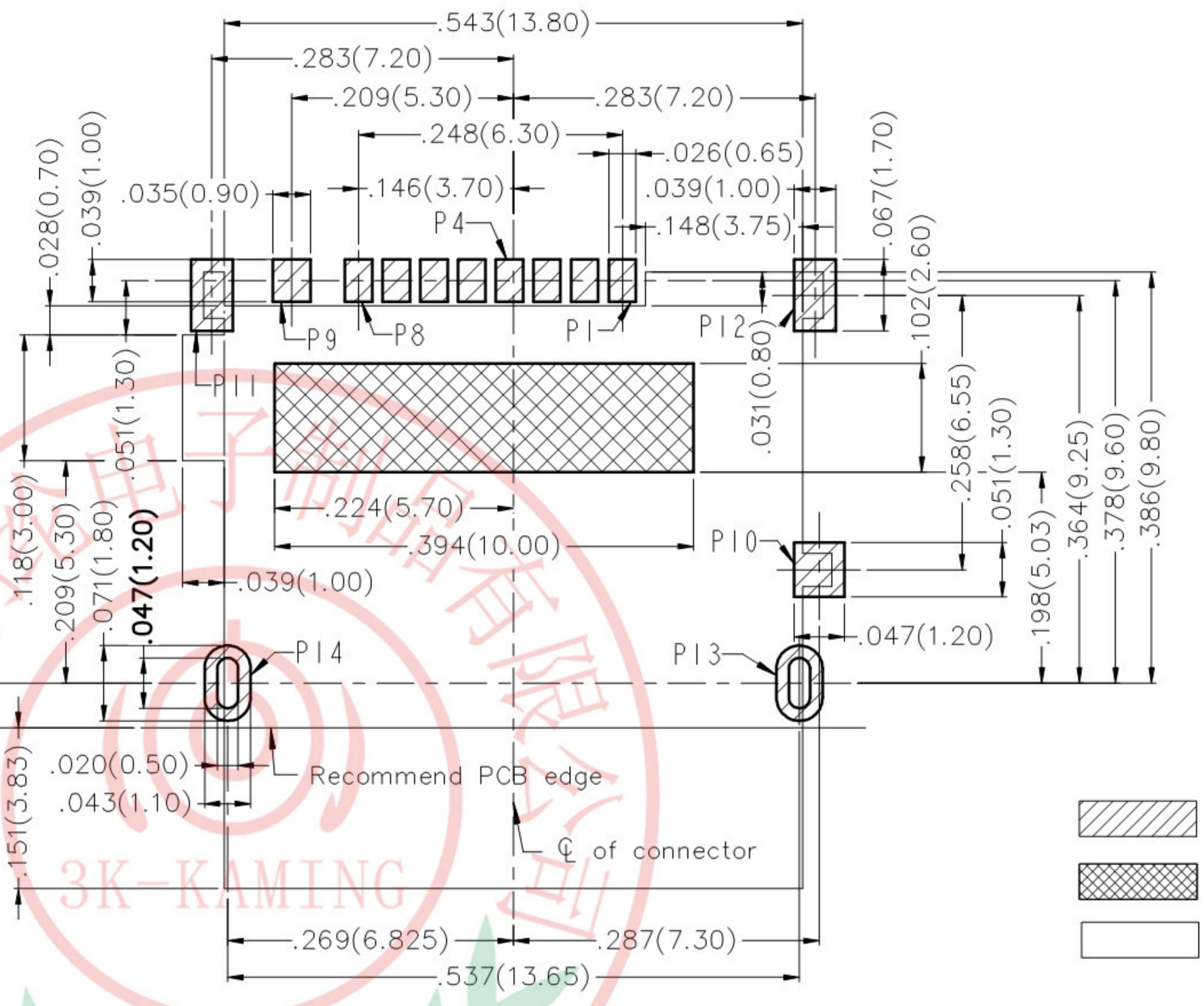


SPECIFICATIONS

Electrical
 Current Rating: 0.5A AC(rms)/DC
 Voltage Rating: 100V AC(rms)/DC
 Contact Resistance: 100 mΩ Max
 Insulation Resistance: 1000 MΩ Min/DC 250V
 Withstanding Voltage: 500V AC r.m.s
 Temperature Range-Operating: -25°C~+85°C

Material
 Housing: LCP (UL 94V-0) Black
 Contact: Copper alloy
 Shell: SUS304

Plating
 Contact: 1μ" gold in contact area, gold flash in solder area, Nickel plated overall
 Shell: Gold flash in solder area, Nickel plated overall

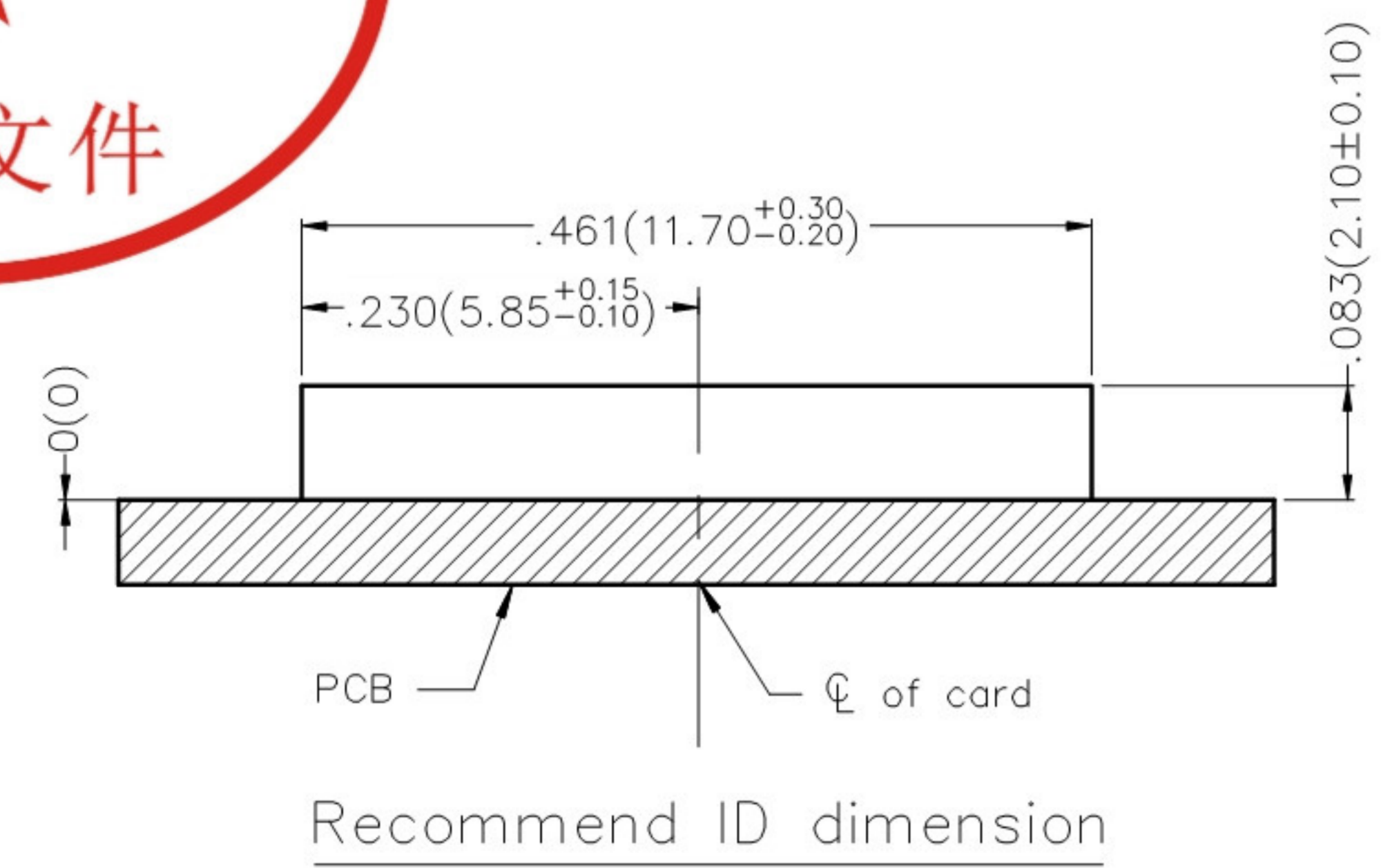


- Pad area
- No copper area
- Keep out area

Recommended P.C.Board Layout
 General tolerances: ±.002(0.05)

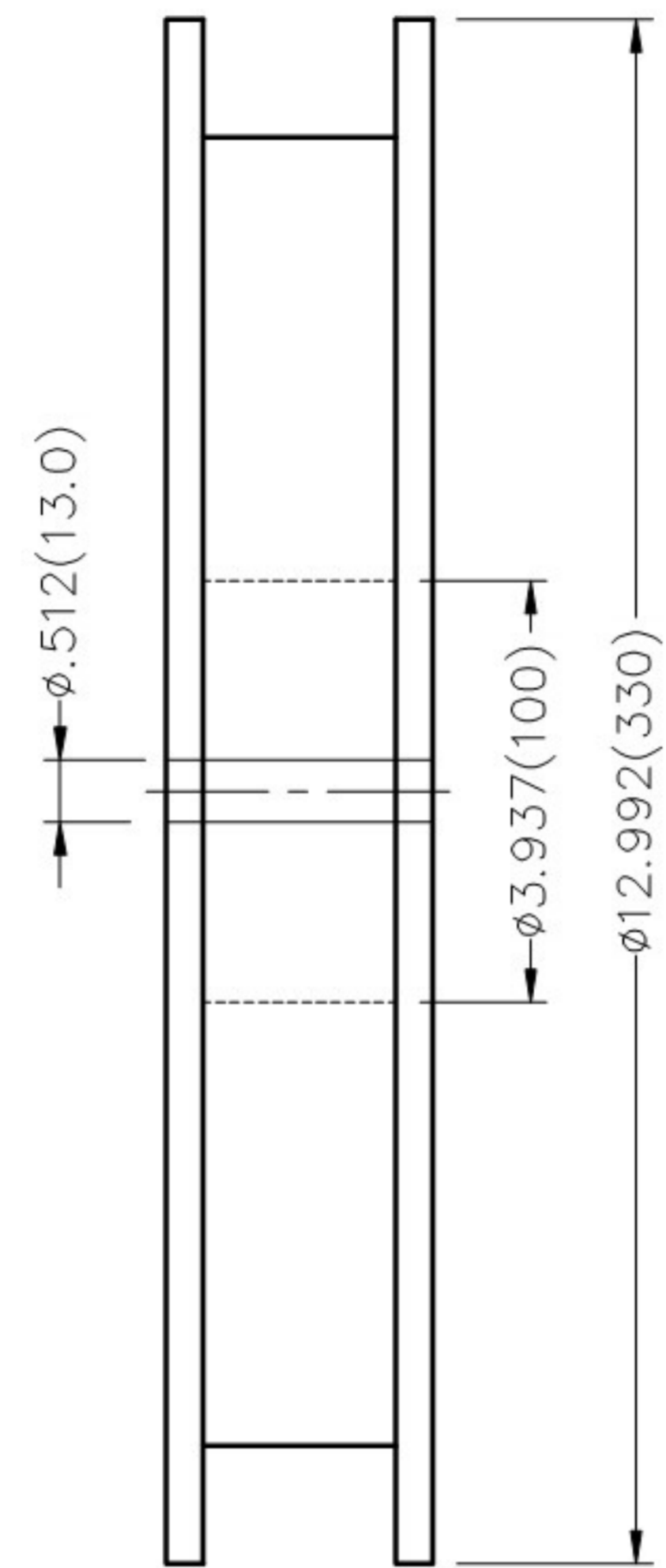
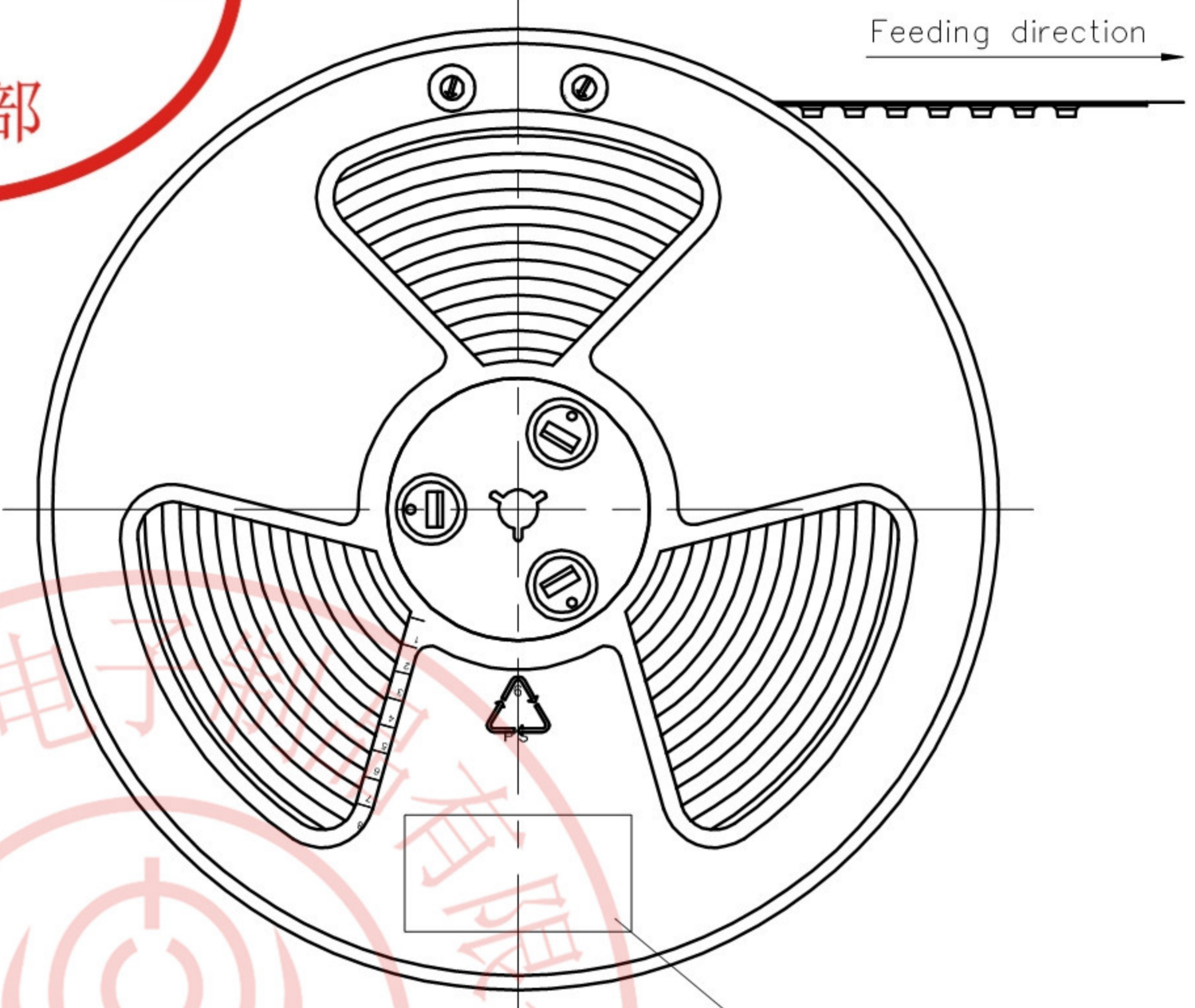
Pin No.	PIN ASSIGNMENT
P1	MICRO SD_DAT2
P2	MICRO SD_CD/DAT3
P3	MICRO SD_CMD
P4	MICRO SD_VDD
P5	MICRO SD_CLK
P6	MICRO SD_VSS
P7	MICRO SD_DAT0
P8	MICRO SD_DAT1
P9	MICRO SD_CD
P10	GND
P11	GND
P12	GND
P13	GND
P14	GND

	Card Detect Switch
Card Uninsertion	Open
Card Half Insertion	Open
Card Insertion	Close
N/O	



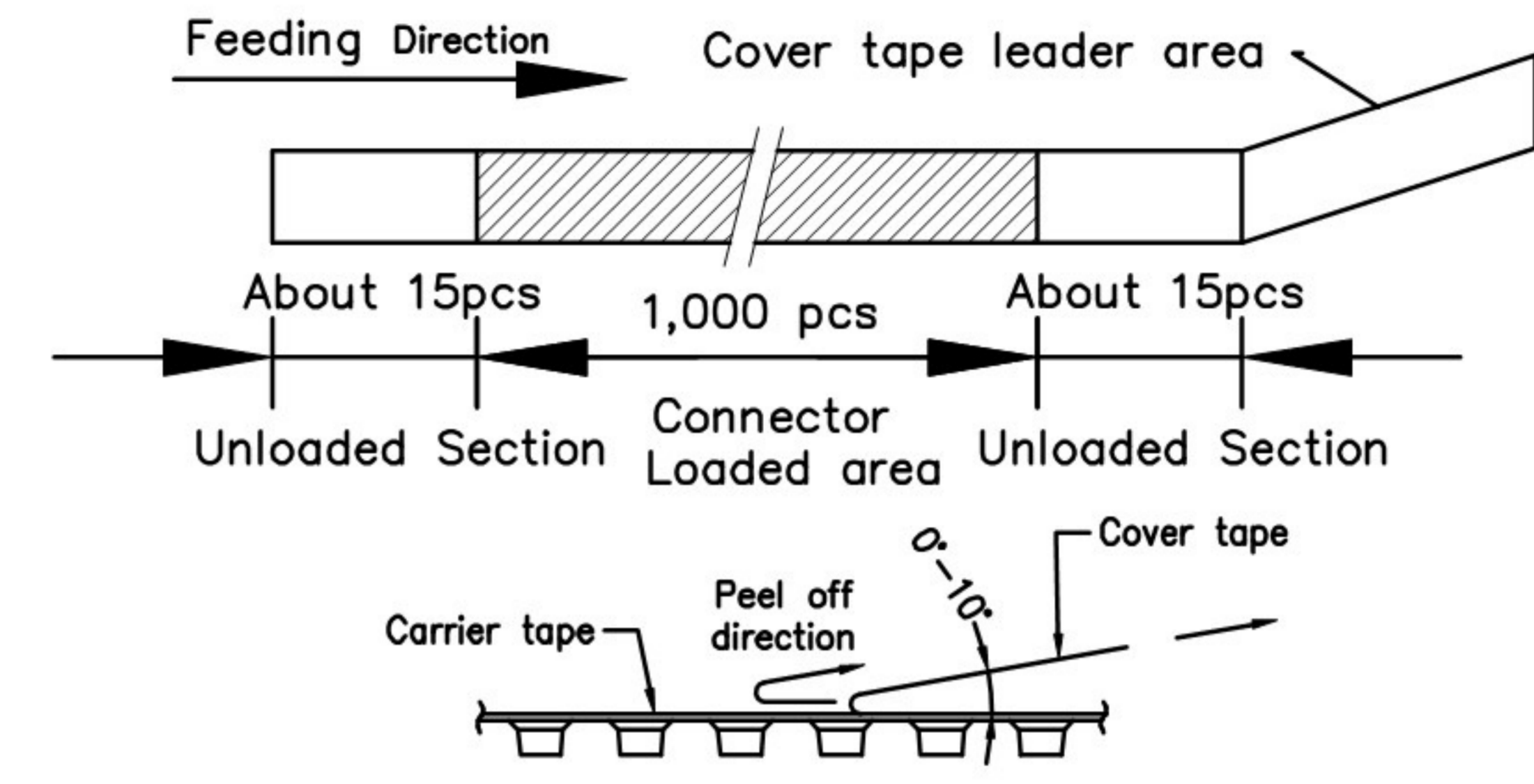
 THIRD ANGLE PROJECTION DESIGN UNITS Inch (metric) SCALE 5:1 SIZE A4	GENERAL TOLERANCES (UNLESS SPECIFIED) X.±.012(0.30) X.±5' X.X±.008(0.20) .X'±2' X.XX±.006(0.15) .XX'±1' X.XXX±.004(0.10) .XXX'±0.5'		APPROVE BY FRANK CHECKED BY CHERRY DRAWN BY KATE	DATE 12/JUL/19 DATE 12/JUL/19 DATE 12/JUL/19	PART NO. FCD418-7M TITLE Micro sd card connector(H=1.5mm)	ITEM NO. FCD418	 3K-KAMING REV 0 SHEET NO. 2/3	
	THIS DRAWING CONTAINS INFORMATION THAT IS PROPRIETARY TO DONG GUAN LANG LUN(3K-KAMING) ELECTRONIC PRODUCTS CO., LTD. AND SHOULD NOT BE USED WITHOUT WRITTEN PERMISSION							



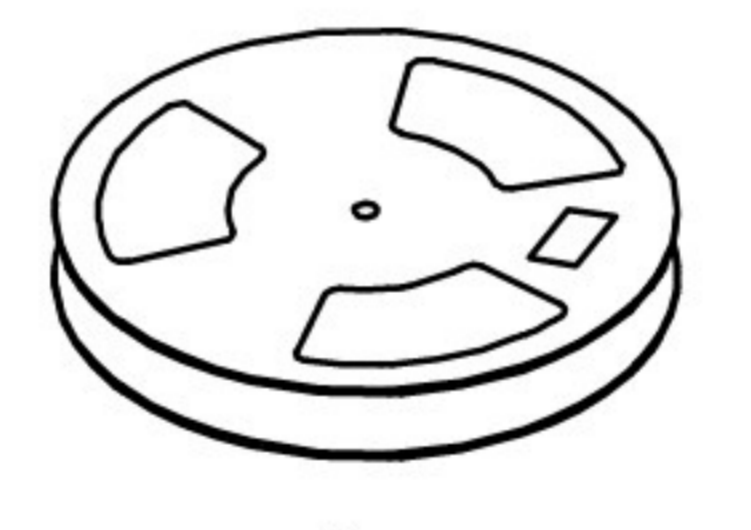
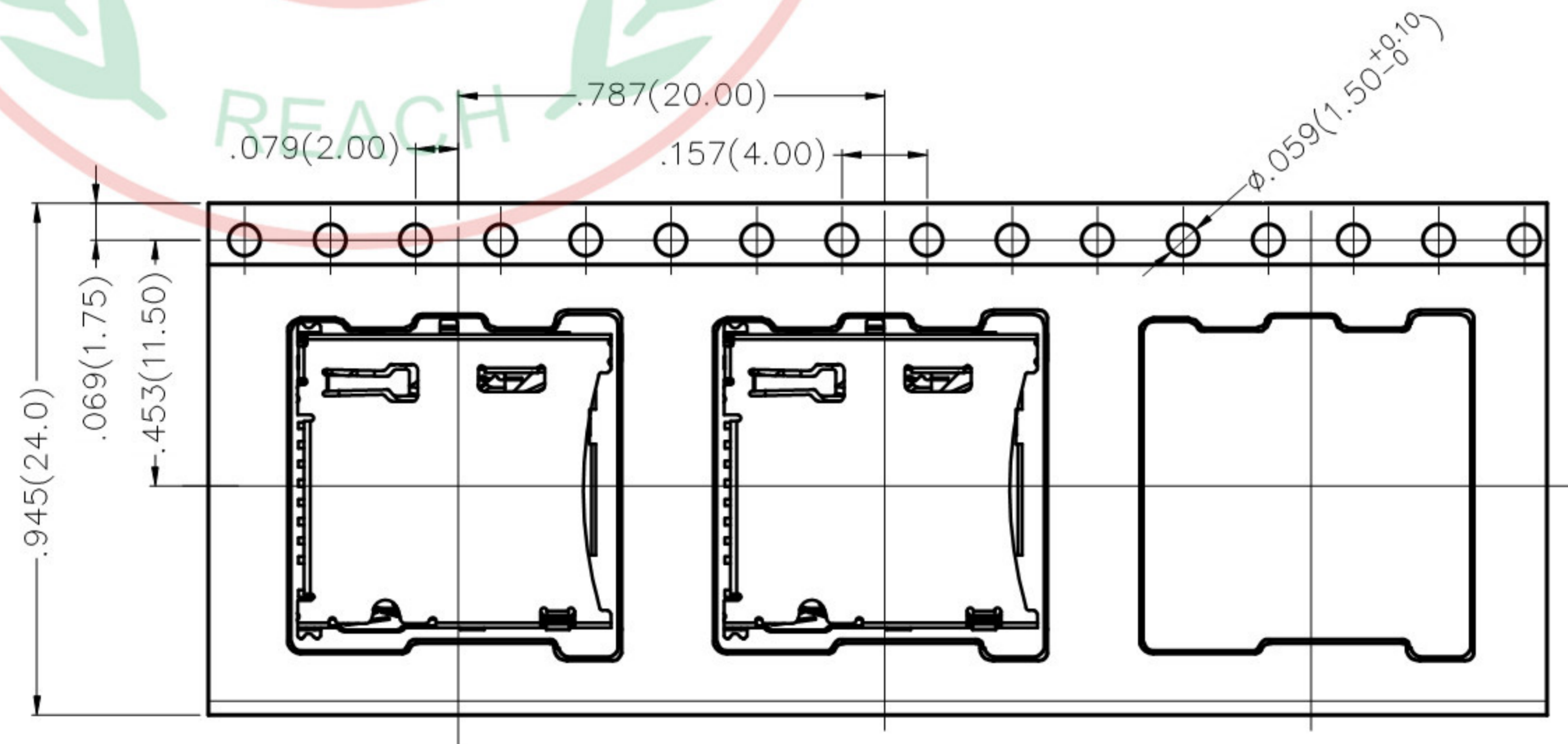


REV	LOCATIONS	DESCRIPTION	DATE	REVISER	APPD

- Note:
- 10 sprocket hole cumulative tolerance ± 0.2
 - Carrier camber is within 1.0mm in 100mm
 - Material: White Conductive polystyrene Alloy 100% recyclable
 - All dimensions meet EIA-481-3 requirements
 - Component load per 13" reel: 1,000 pcs

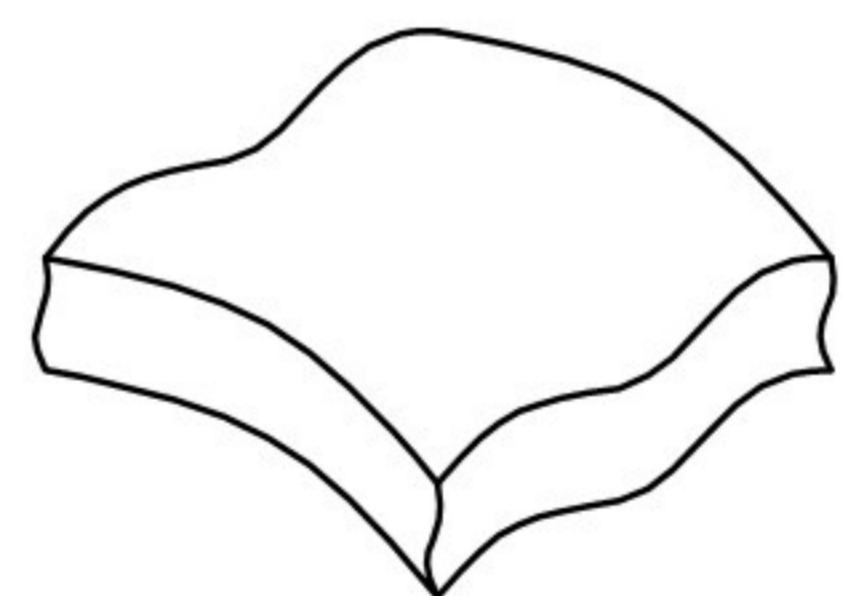


Interior Label

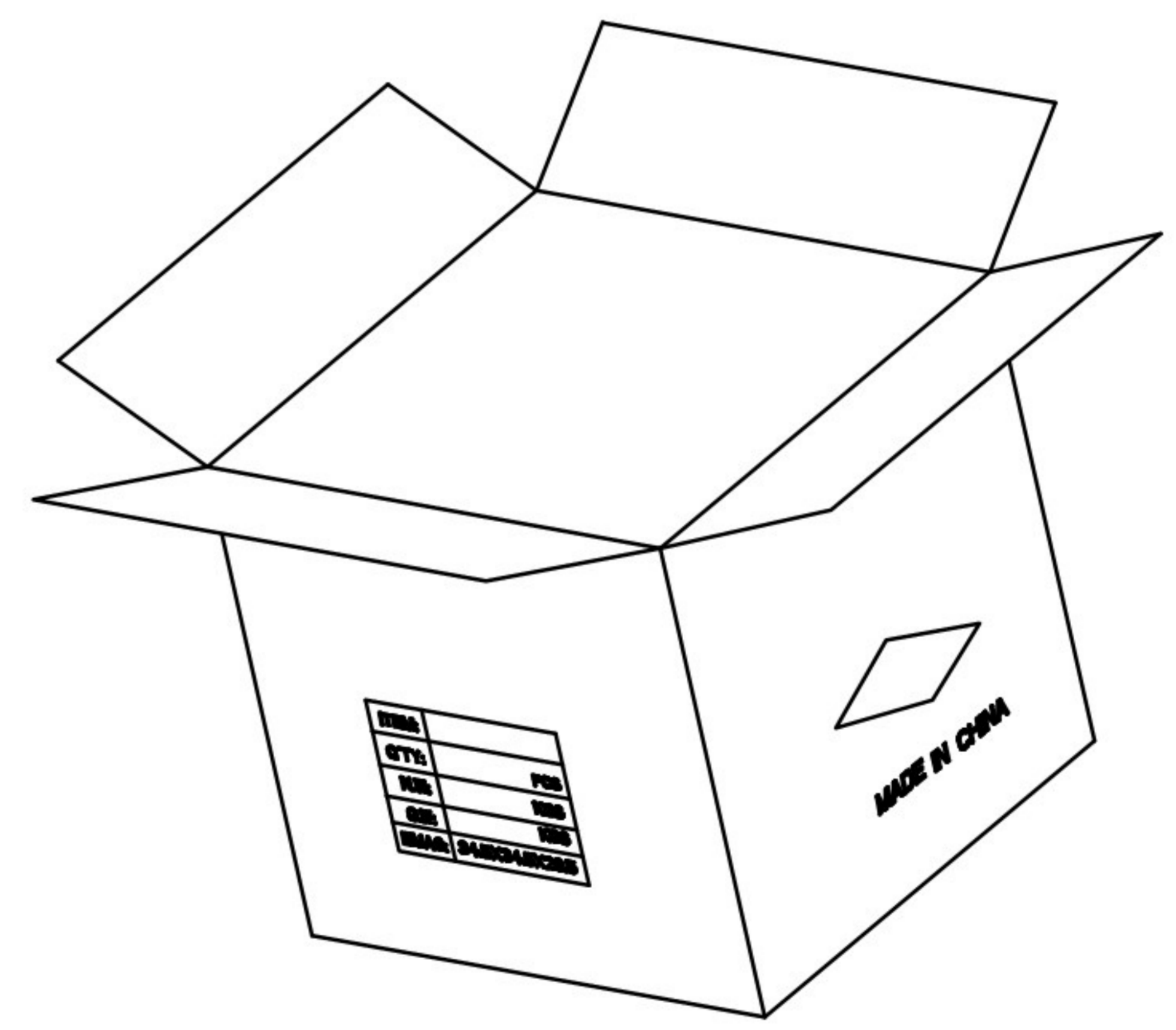


PE Bag

1,000 pcs/Reel



Drying agent/pcs



Feeding Direction



 THIRD ANGLE PROJECTION DESIGN UNITS Inch (metric) SCALE 5:1 SIZE A4	GENERAL TOLERANCES (UNLESS SPECIFIED)		APPROVE BY	DATE	PART NO.	ITEM NO.	 3K-KAMING REV 0 SHEET NO. 3/3
	X. \pm .012(0.30)	X. \pm 5'	FRANK	12/JUL/19	FCD418-7M	FCD418	
	X.X \pm .008(0.20)	.X' \pm 2'	CHECKED BY	DATE	TITLE		THIS DRAWING CONTAINS INFORMATION THAT IS PROPRIETARY TO DONG GUAN LANG LUN(3K-KAMING) ELECTRONIC PRODUCTS CO., LTD. AND SHOULD NOT BE USED WITHOUT WRITTEN PERMISSION
	X.XX \pm .006(0.15)	.XX' \pm 1'	CHERRY	12/JUL/19	Micro sd card connector(H=1.5mm)		
X.XXX \pm .004(0.10)	.XXX' \pm 0.5'	DRAWN BY	DATE				
		KATE	12/JUL/19				