

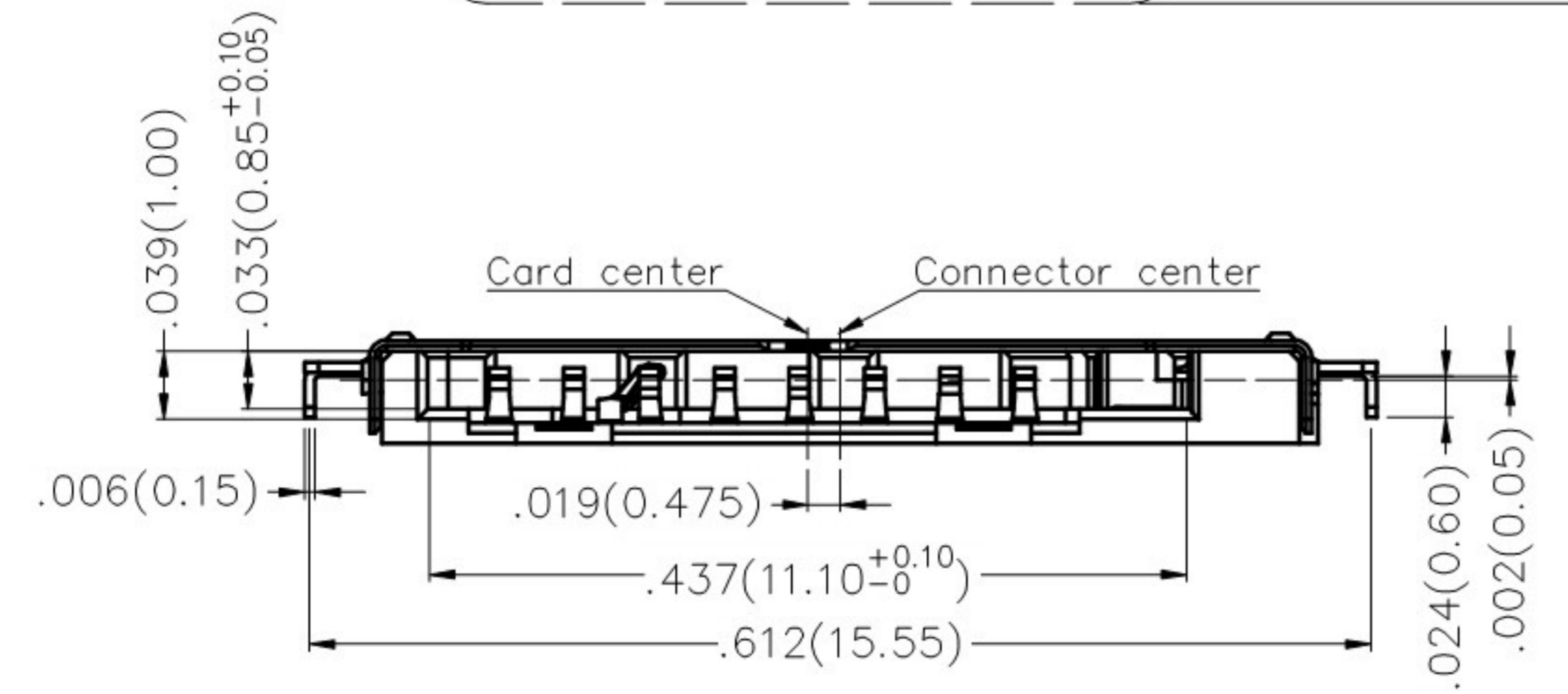
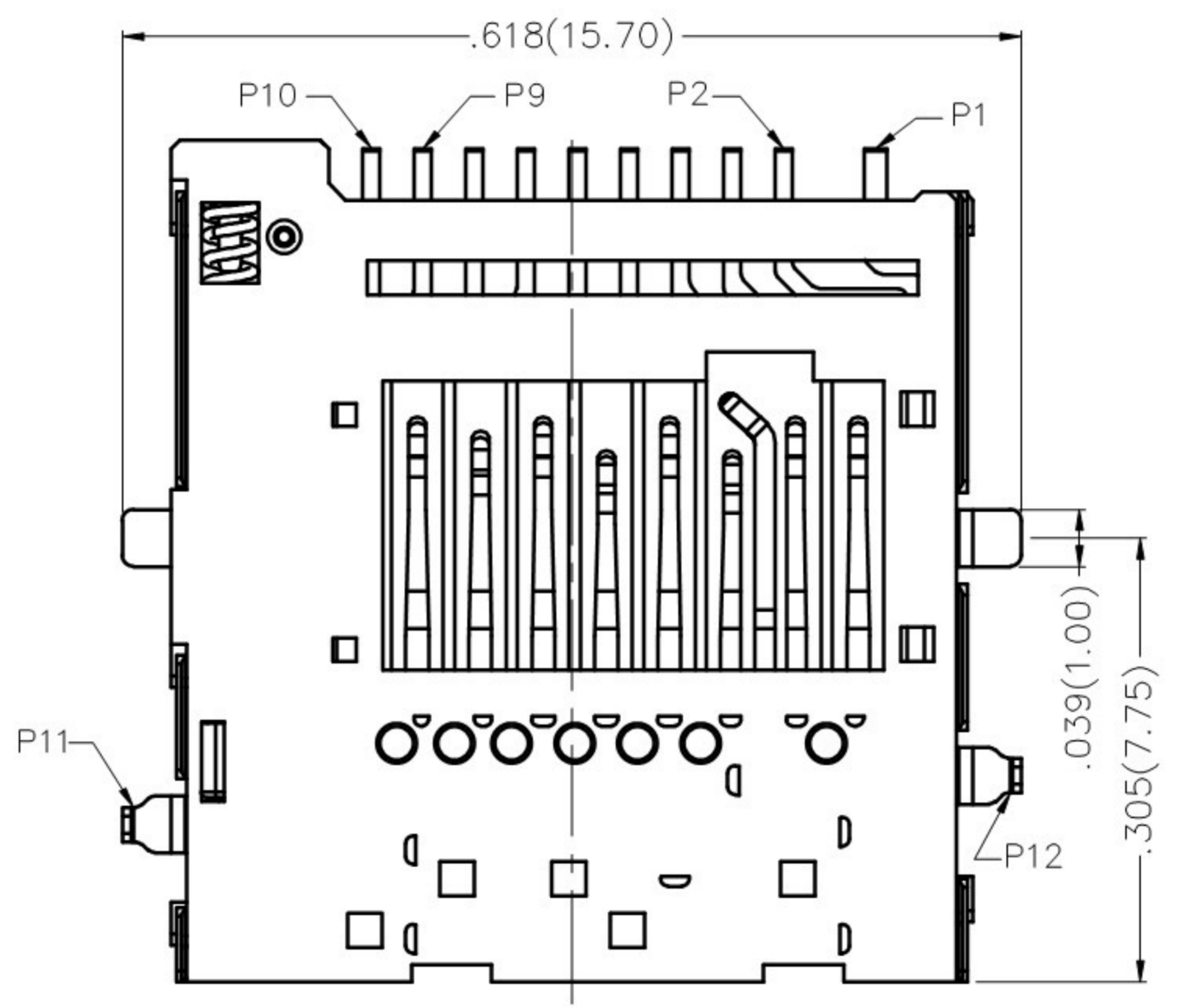
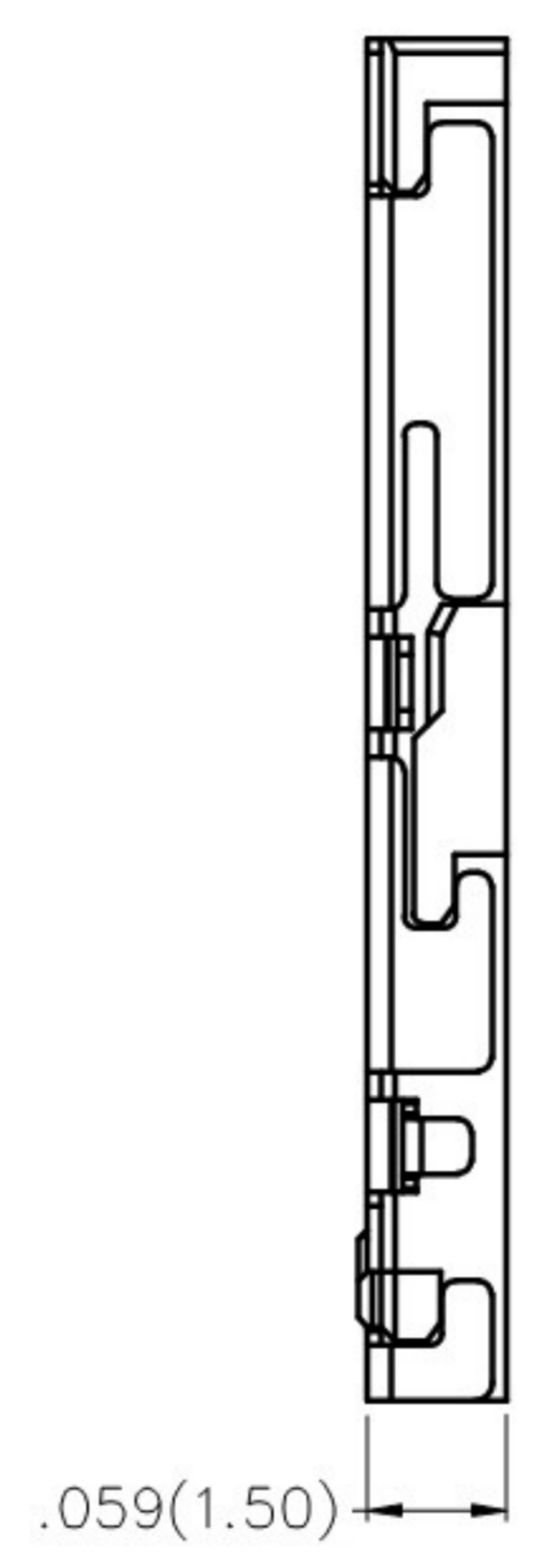
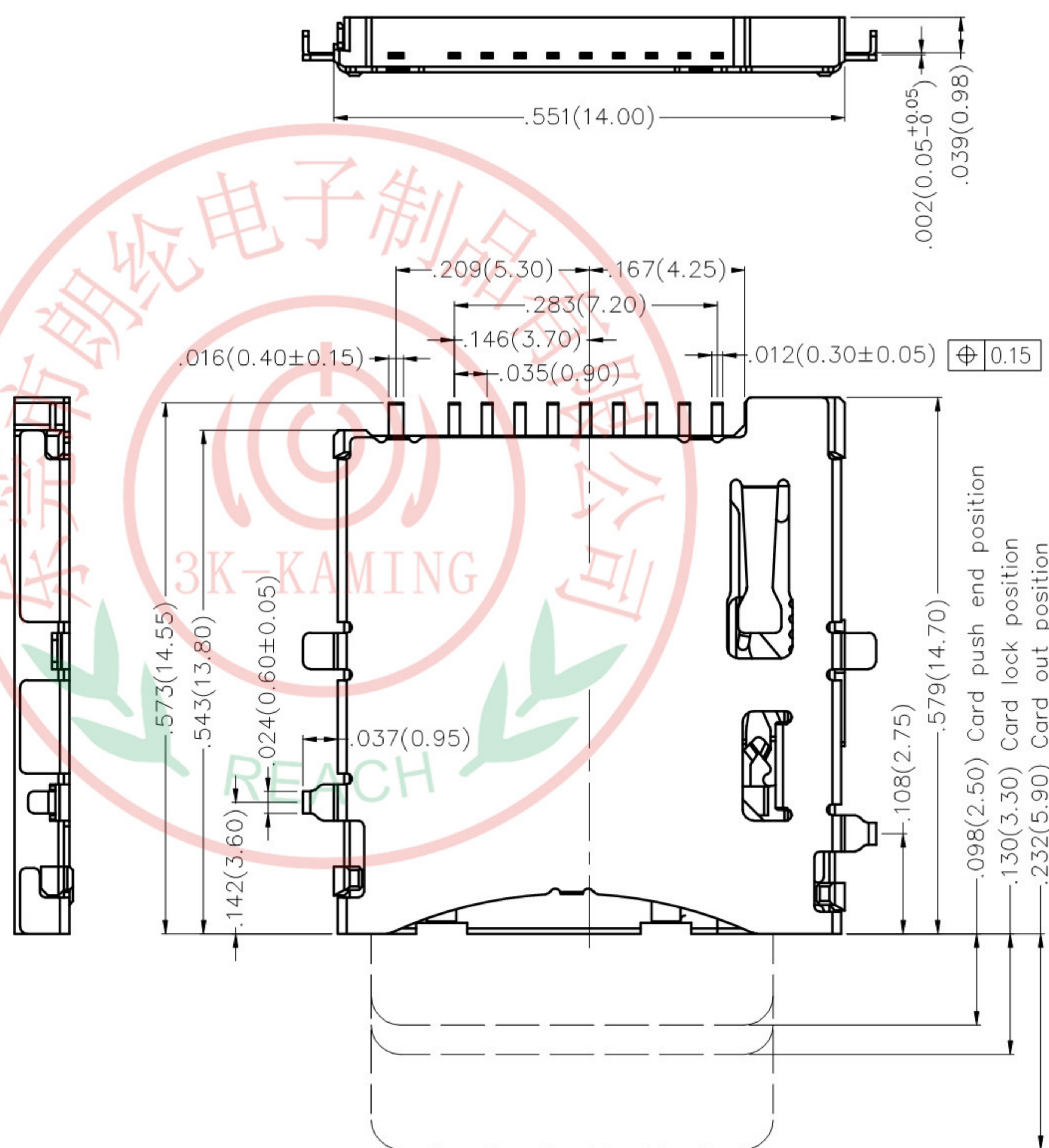
| REV | LOCATIONS | DESCRIPTION | DATE | REVISER | APPD |
|-----|-----------|-------------|------|---------|------|
| | | | | | |

SPECIFICATIONS

Electrical
 Current Rating: 0.5A AC(rms)/DC
 Voltage Rating: 100V AC(rms)/DC
 Contact Resistance: 100 mΩ Max
 Insulation Resistance: 1000 MΩ Min/DC 250V
 Withstanding Voltage: 500V AC r.m.s
 Temperature Range-Operating: -25°C~+85°C

Material
 Housing: LCP (UL 94V-0) Black
 Contact: Copper alloy
 Shell: Stainless steel

Plating
 Contact: 1μ" gold in contact area, tin in solder area,
 Nickel plated overall
 Shell: Nickel plated

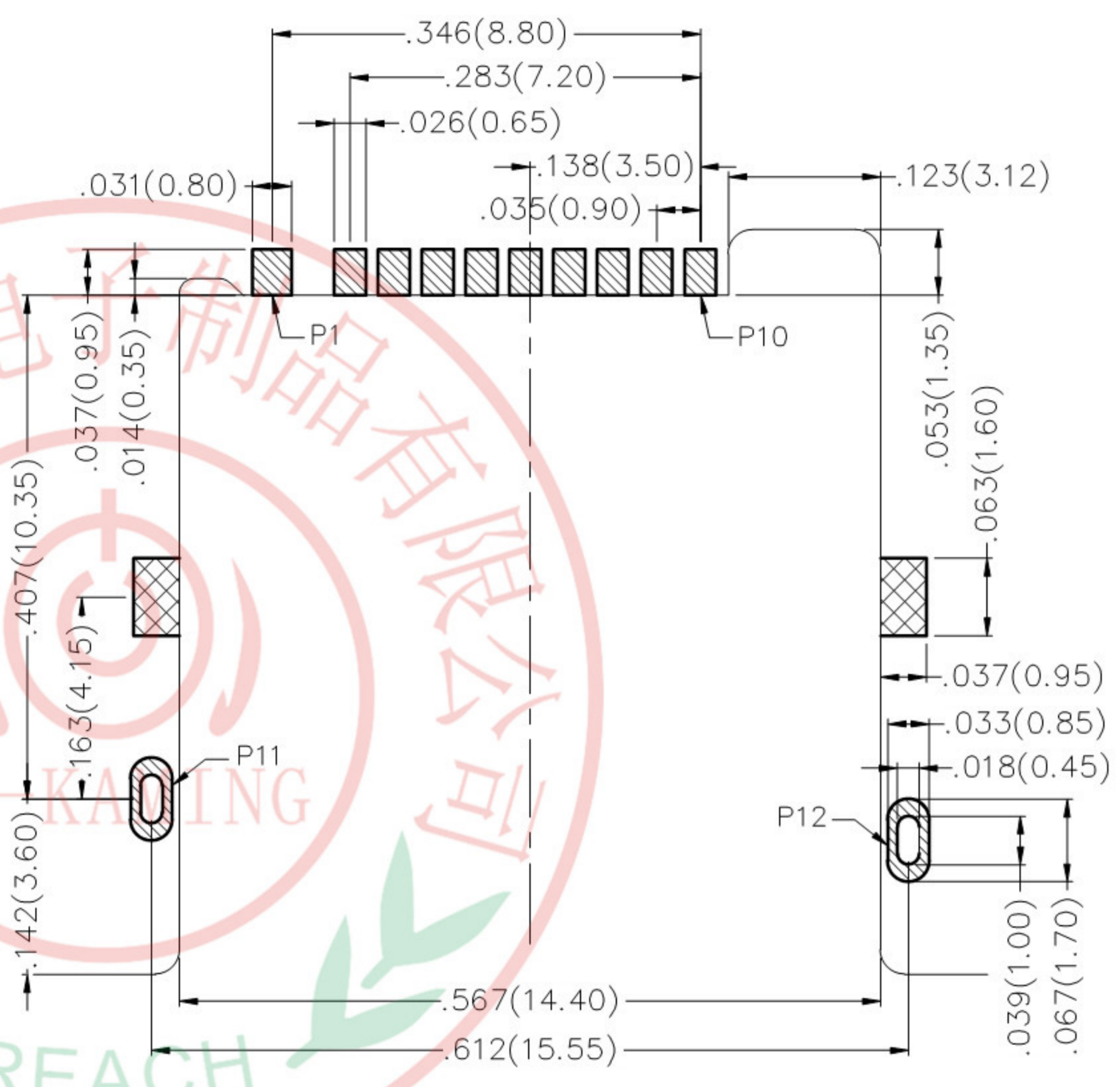


| | | | | | | | |
|---|---------------------------------------|------------|------------|-----------|--|----------|--------------------------------------|
| THIRD ANGLE PROJECTION DESIGN UNITS Inch (metric) SCALE 5:1 SIZE A4 | GENERAL TOLERANCES (UNLESS SPECIFIED) | | APPROVE BY | DATE | PART NO. | ITEM NO. | 3K-KAMING REV 0 SHEET NO. 1/3 |
| | X.±.012(0.30) | X.±5' | FRANK | 16/JUL/19 | FCD415-7M | FCD415 | |
| | X.X±.008(0.20) | .X'±2' | CHECKED BY | DATE | TITLE | | |
| | X.XX±.006(0.15) | .XX'±1' | CHERRY | 16/JUL/19 | Micro sd card connector(H=1.5mm) | | |
| | X.XXX±.004(0.10) | .XXX'±0.5' | DRAWN BY | DATE | THIS DRAWING CONTAINS INFORMATION THAT IS PROPRIETARY TO DONG GUAN LANG LUN(3K-KAMING) ELECTRONIC PRODUCTS CO., LTD. AND SHOULD NOT BE USED WITHOUT WRITTEN PERMISSION | | |
| | | | KATE | 16/JUL/19 | | | |

| REV | LOCATIONS | DESCRIPTION | DATE | REVISER | APPD |
|-----|-----------|-------------|------|---------|------|
| | | | | | |



| Pin No. | Pin Assignment |
|---------|------------------|
| P1 | MICRO SD CD |
| P2 | MICRO SD DAT1 |
| P3 | MICRO SD DAT0 |
| P4 | MICRO SD VSS |
| P5 | MICRO SD CLK |
| P6 | MICRO SD VDD |
| P7 | MICRO SD CMD |
| P8 | MICRO SD CD/DAT3 |
| P9 | MICRO SD DAT2 |
| P10 | GND |
| P11 | GND |
| P12 | GND |



Pad area
 No trace, no test point, No via hole, no ground area

Recommended P.C.Board Layout
 General tolerances: $\pm 0.002(0.05)$

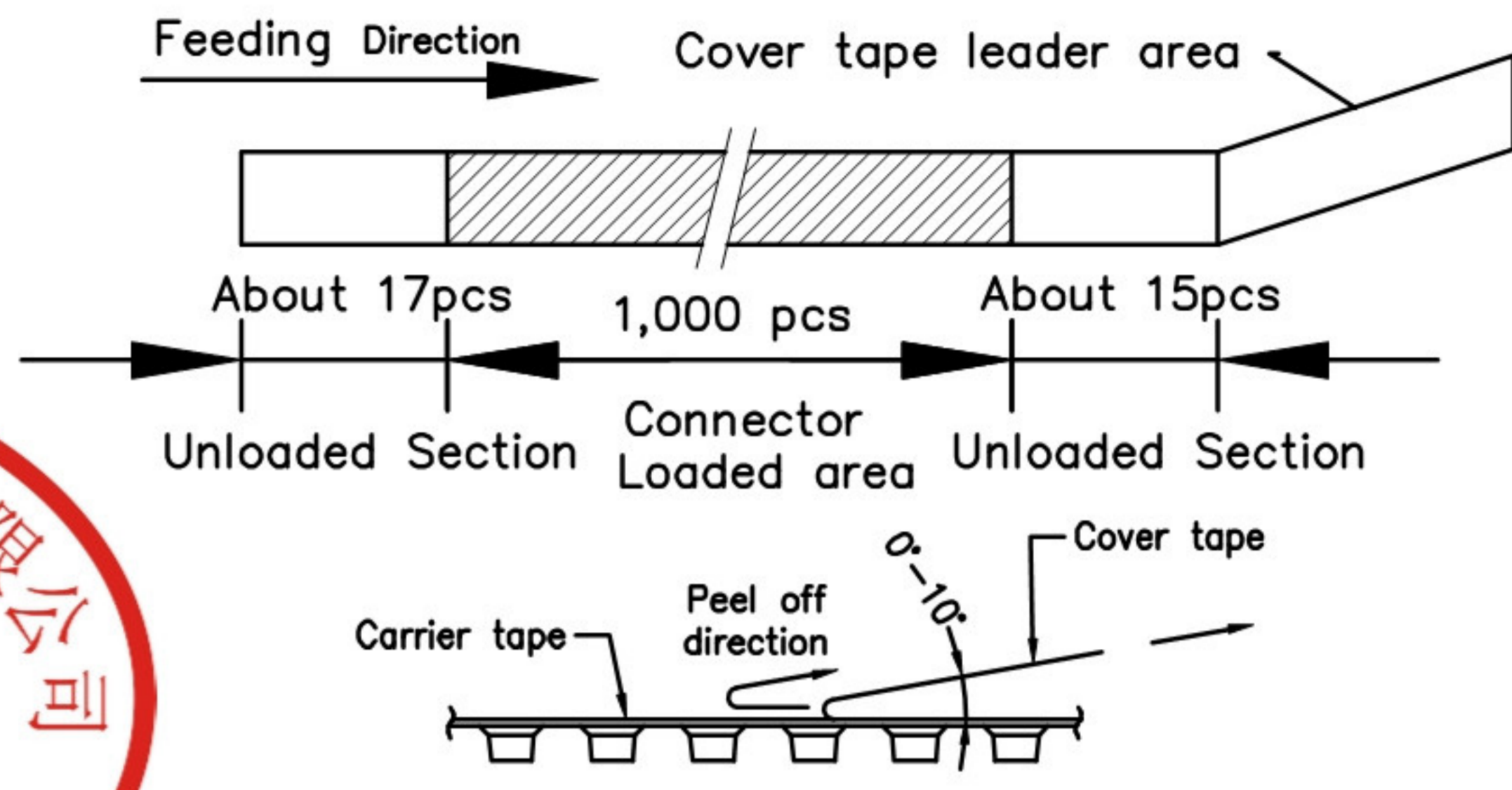
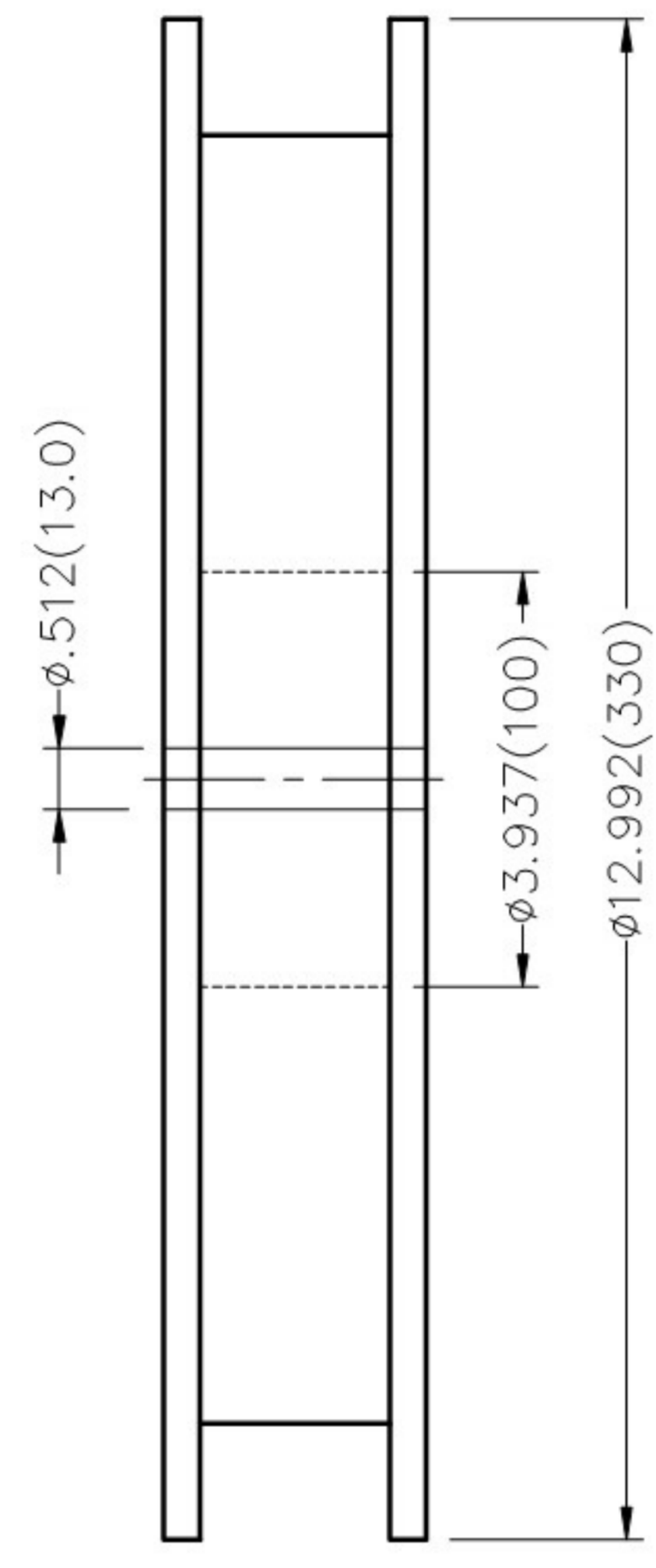
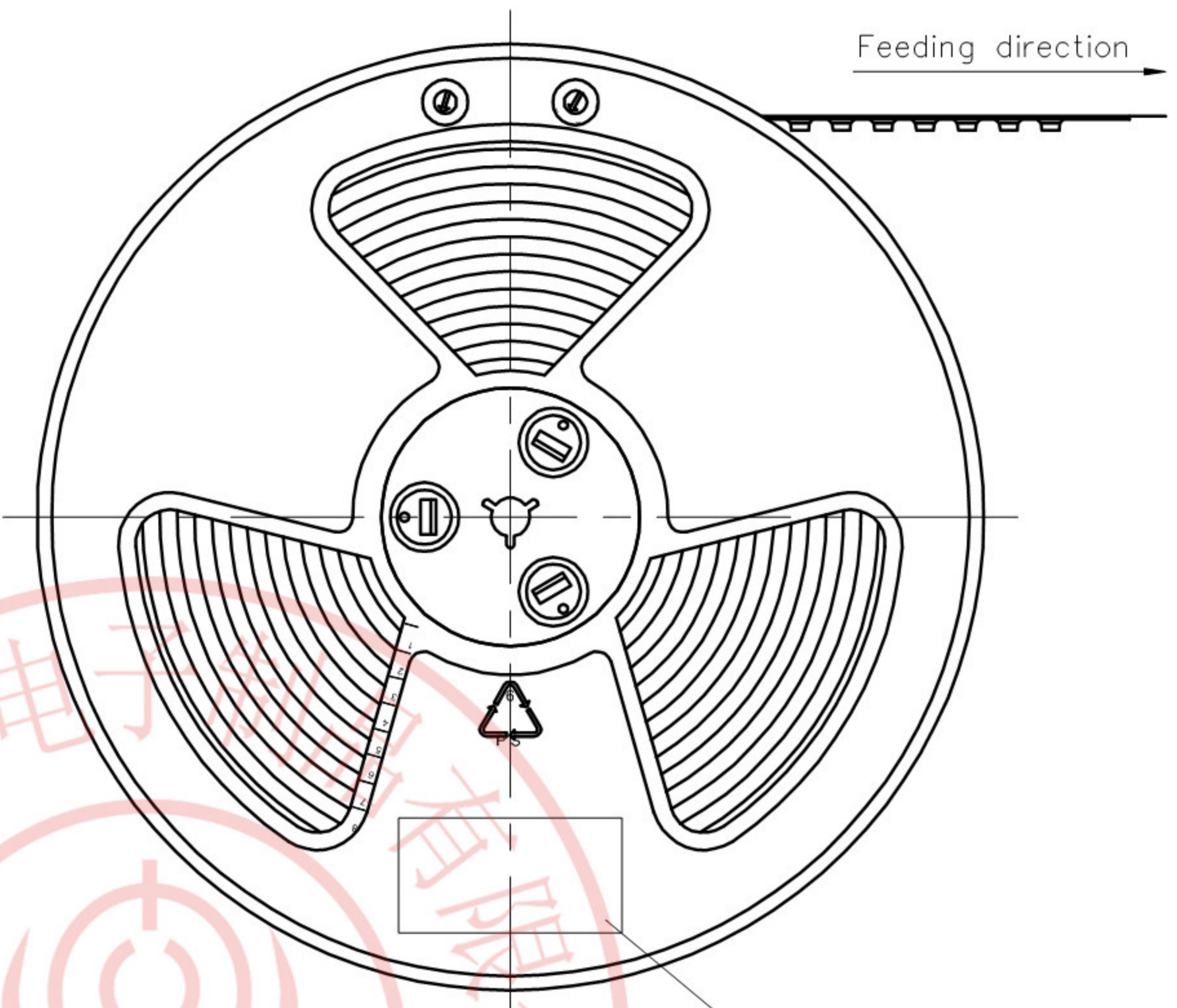
| | Card Detect Switch |
|---------------------|--------------------|
| Card Uninsertion | Open |
| Card Half Insertion | Open |
| Card Insertion | Close |
| N/O | |



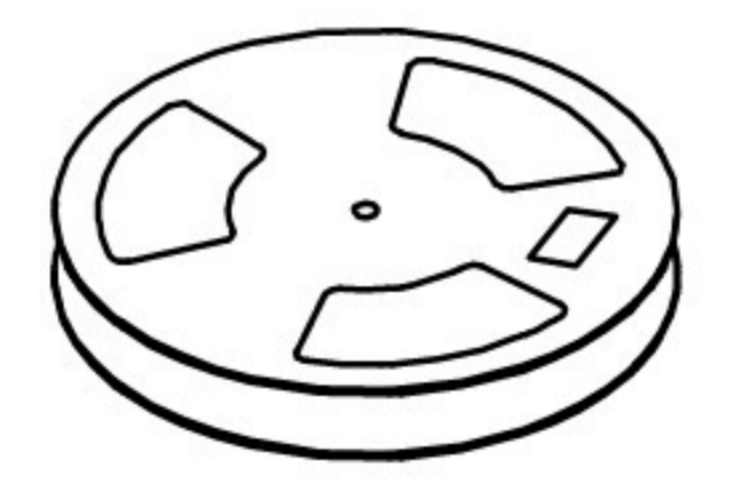
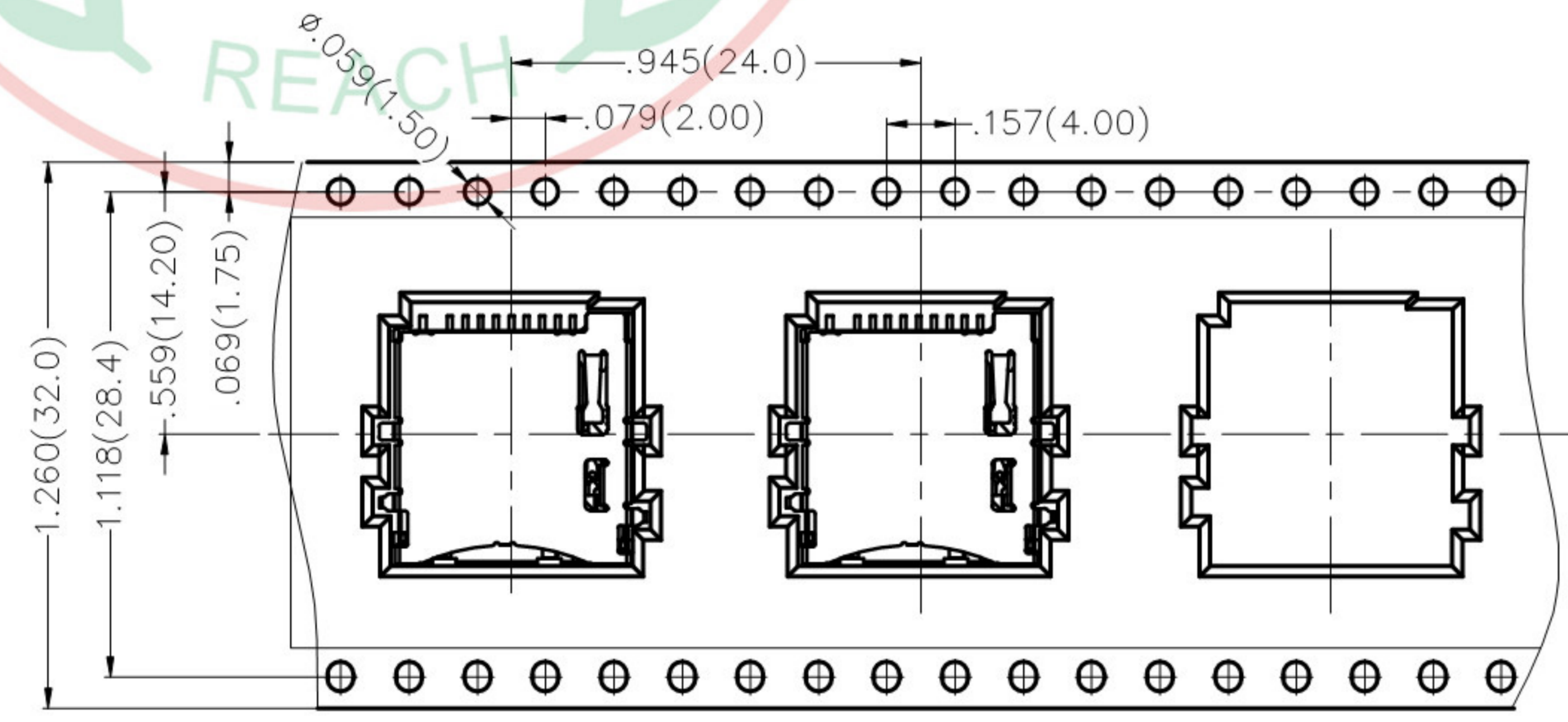
| | | | | | | | |
|--|---|--|---|---|--|--------------------|--|
| THIRD ANGLE PROJECTION DESIGN UNITS Inch (metric) SCALE 5:1 SIZE A4 | GENERAL TOLERANCES (UNLESS SPECIFIED) X. $\pm 0.12(0.30)$ X. $\pm 5'$ X.X $\pm 0.08(0.20)$.X' $\pm 2'$ X.XX $\pm 0.06(0.15)$.XX' $\pm 1'$ X.XXX $\pm 0.04(0.10)$.XXX' $\pm 0.5'$ | | APPROVE BY FRANK CHECKED BY CHERRY DRAWN BY KATE | DATE 16/JUL/19 DATE 16/JUL/19 DATE 16/JUL/19 | PART NO. FCD415-7M TITLE Micro sd card connector(H=1.5mm) | ITEM NO. FCD415 | 3K-KAMING REV 0 SHEET NO. 2/3 <small>THIS DRAWING CONTAINS INFORMATION THAT IS PROPRIETARY TO DONG GUAN LANG LUN(3K-KAMING) ELECTRONIC PRODUCTS CO.,LTD. AND SHOULD NOT BE USED WITHOUT WRITTEN PERMISSION</small> |
| | | | | | | | |
| | | | | | | | |
| | | | | | | | |

| REV | LOCATIONS | DESCRIPTION | DATE | REVISER | APPD |
|-----|-----------|-------------|------|---------|------|
| | | | | | |

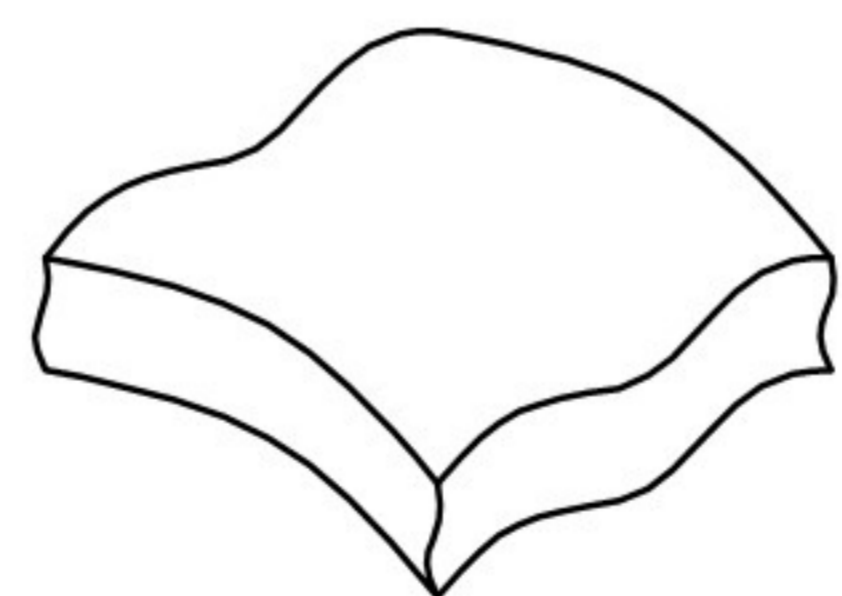
- Note:
- 10 sprocket hole cumulative tolerance ± 0.2
 - Carrier camber is within 1.0mm in 100mm
 - Material: White Conductive polystyrene Alloy 100% recyclable
 - All dimensions meet EIA-481-3 requirements
 - Component load per 13" reel: 1,000 pcs



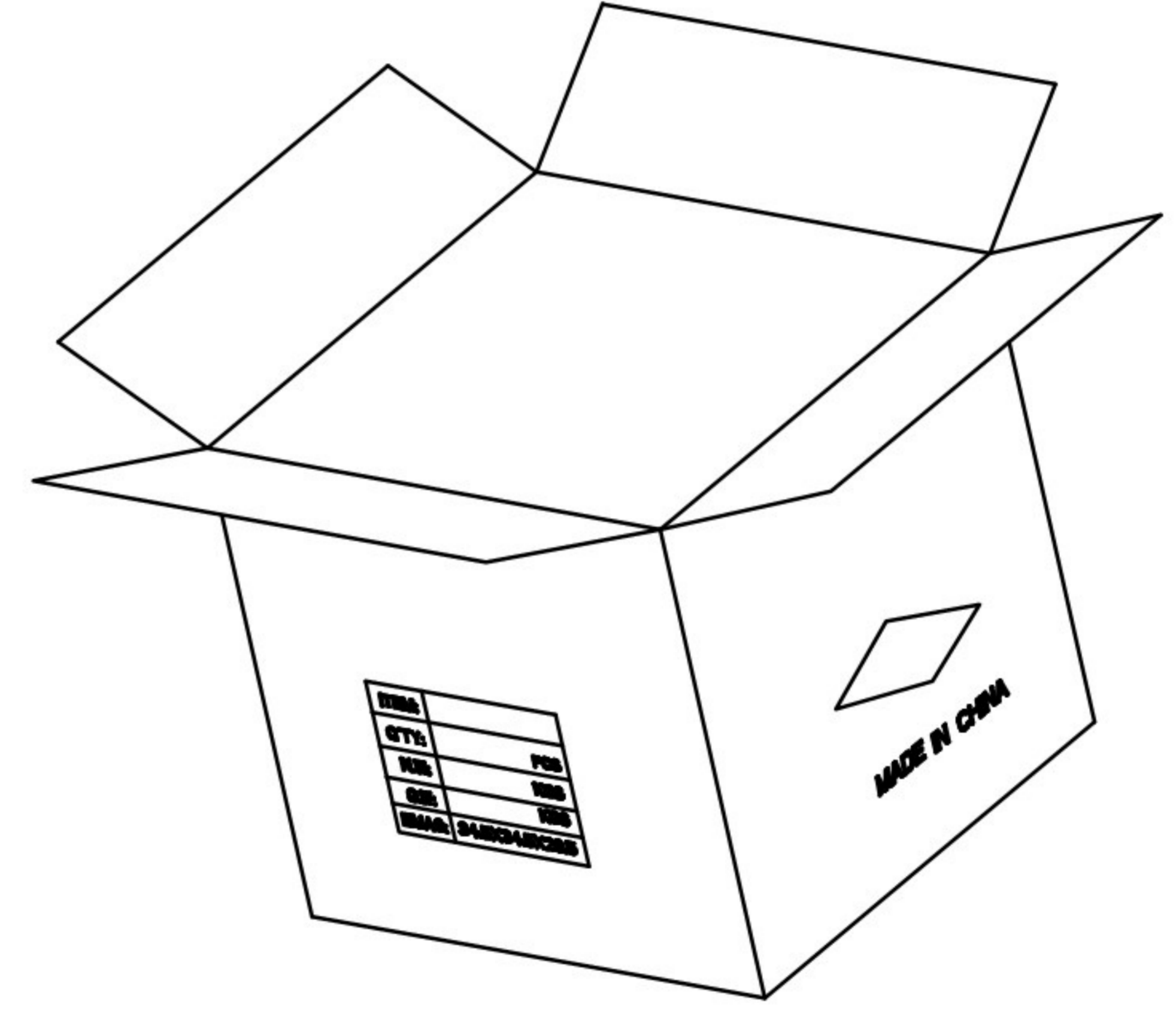
Interior Lable



PE Bag



Drying agent/pcs



Feeding Direction



| | | | | | | | |
|-------------------------------|---------------------------------------|------------------|------------|-----------|--|----------|---------------|
| THIRD ANGLE PROJECTION | GENERAL TOLERANCES (UNLESS SPECIFIED) | | APPROVE BY | DATE | PART NO. | ITEM NO. | 3K-KAMING |
| | X. \pm .012(0.30) | X. \pm 5' | FRANK | 16/JUL/19 | FCD415-7M | FCD415 | |
| DESIGN UNITS Inch (metric) | X.X \pm .008(0.20) | .X' \pm 2' | CHECKED BY | DATE | TITLE | | REV 0 |
| SCALE | X.XX \pm .006(0.15) | .XX' \pm 1' | CHERRY | 16/JUL/19 | Micro sd card connector(H=1.5mm) | | |
| 5:1 | X.XXX \pm .004(0.10) | .XXX' \pm 0.5' | DRAWN BY | DATE | THIS DRAWING CONTAINS INFORMATION THAT IS PROPRIETARY TO DONG GUAN LANG LUN(3K-KAMING) ELECTRONIC PRODUCTS CO., LTD. AND SHOULD NOT BE USED WITHOUT WRITTEN PERMISSION | | |
| SIZE | | | KATE | 16/JUL/19 | | | |
| A4 | | | | | | | |