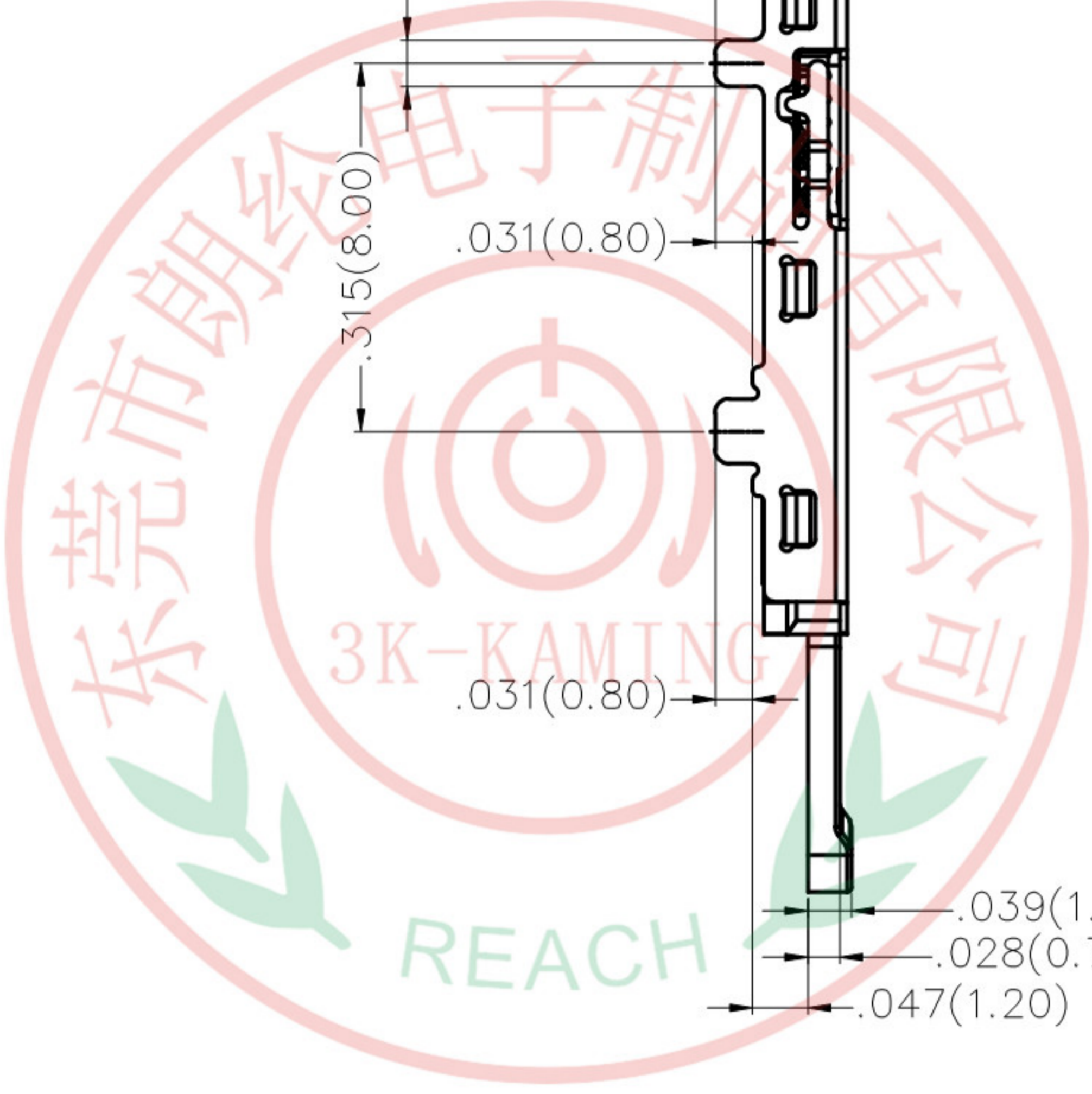
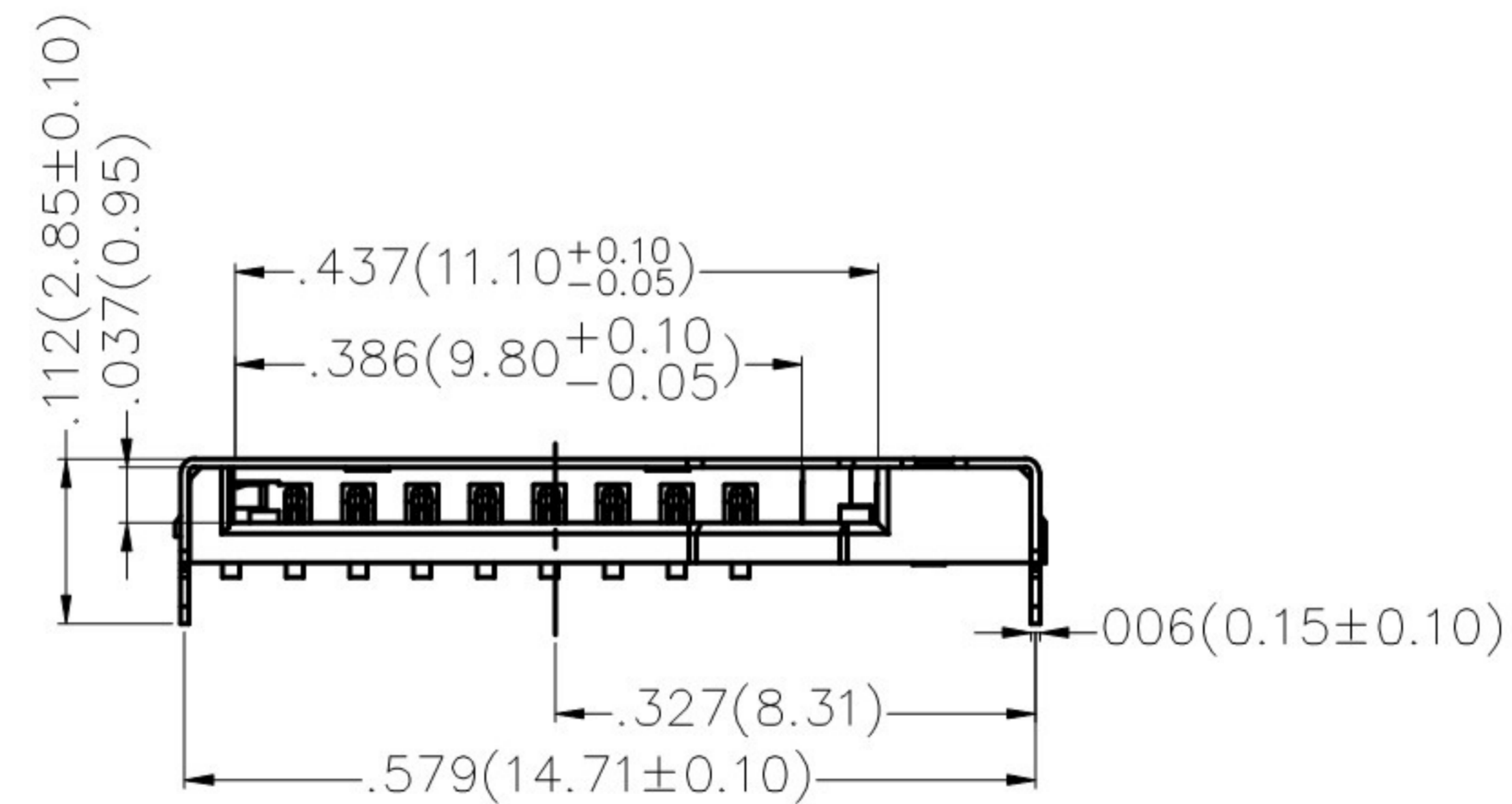
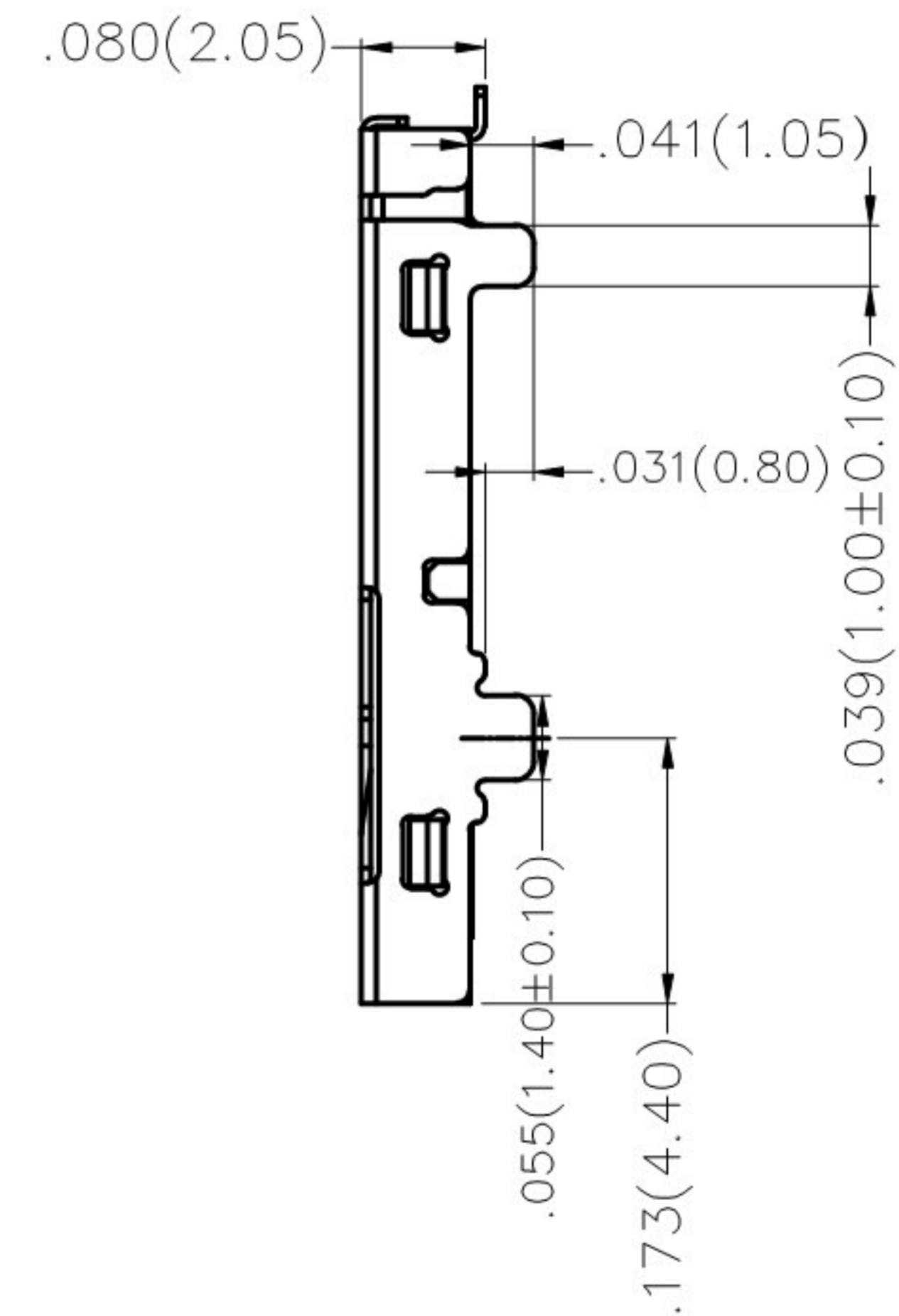
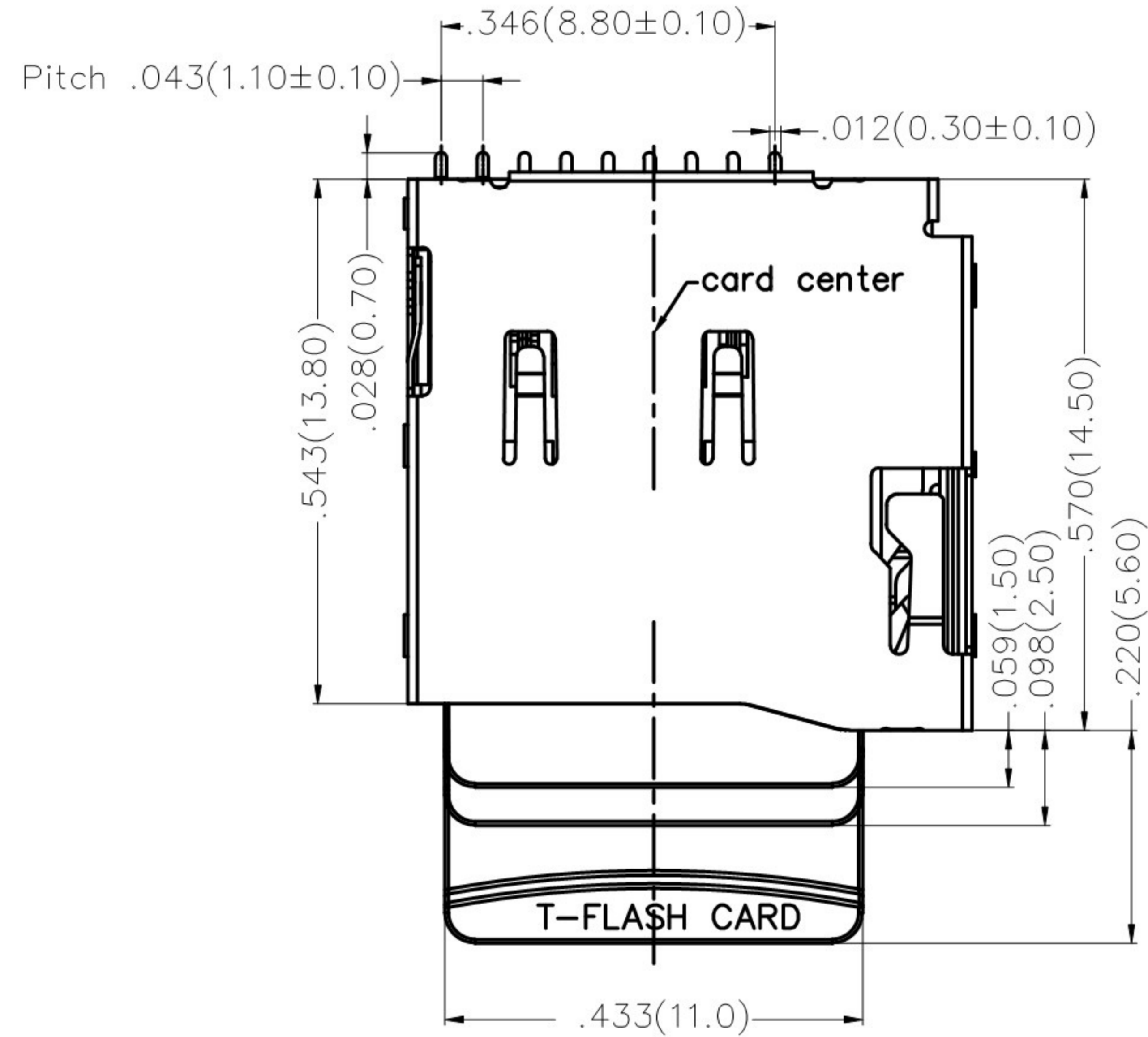
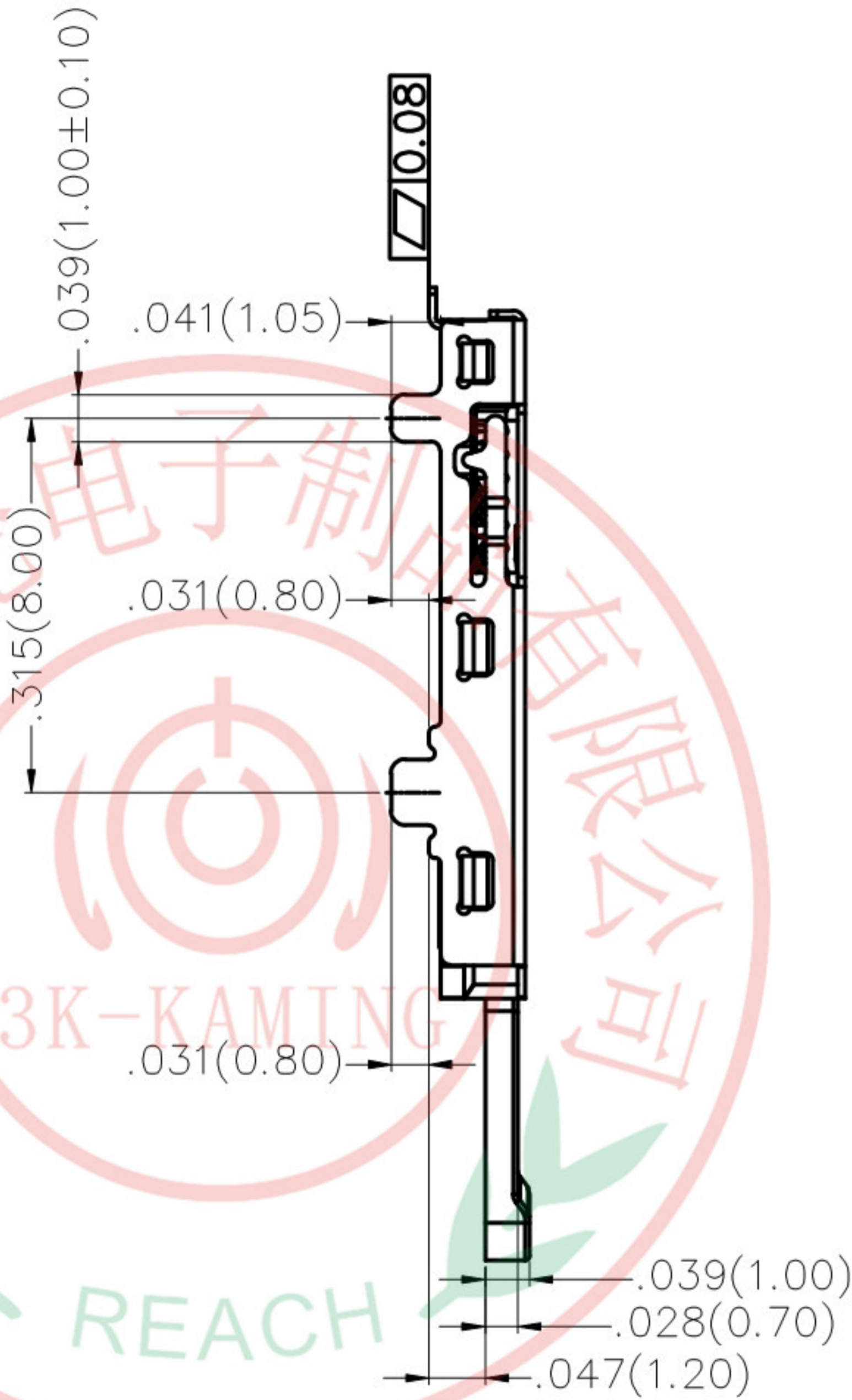


REV	LOCATIONS	DESCRIPTION	DATE	REVISER	APPD

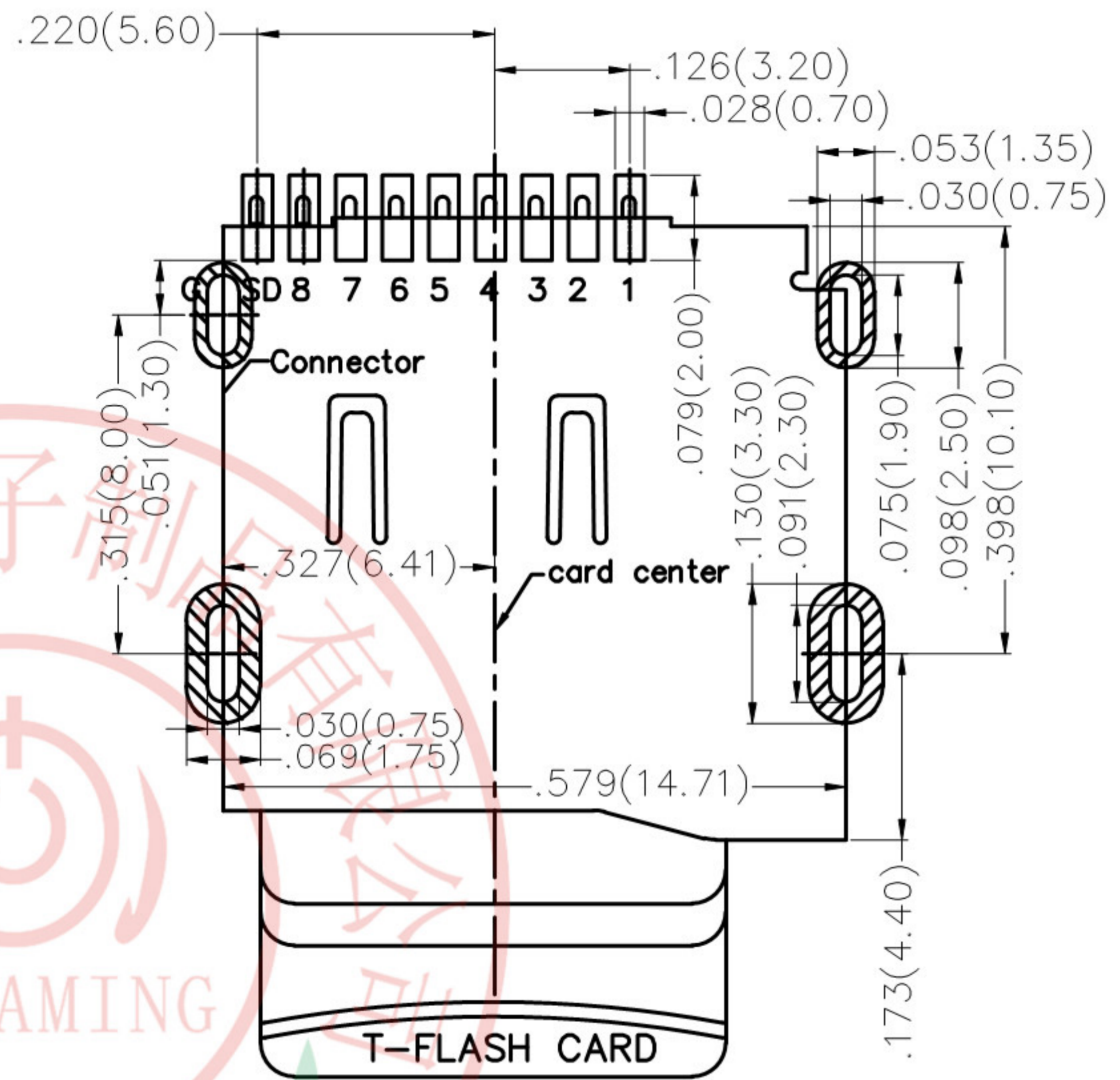


 THIRD ANGLE PROJECTION	GENERAL TOLERANCES (UNLESS SPECIFIED)		APPROVE BY FRANK	DATE 13/JUL/19	PART NO. FCD427-7M	ITEM NO. FCD427	 3K-KAMING	
	X.±.012(0.30)	X.*±5°	CHECKED BY CHERRY	DATE 13/JUL/19	TITLE Mirco SD card connector(H=2.05mm)			REV 0
	DESIGN UNITS Inch (metric)	X.X±.008(0.20)	X.*±2°	DRAWN BY Aubrey	DATE 13/JUL/19	THIS DRAWING CONTAINS INFORMATION THAT IS PROPRIETARY TO DONG GUAN LANG LUN(3K-KAMING) ELECTRONIC PRODUCTS CO., LTD. AND SHOULD NOT BE USED WITHOUT WRITTEN PERMISSION		SHEET NO. 1/3
	SCALE 5:1	SIZE A4	X.XX±.006(0.15)	X.*±1°	X.XXX±.004(0.10)	X.*±0.5°		

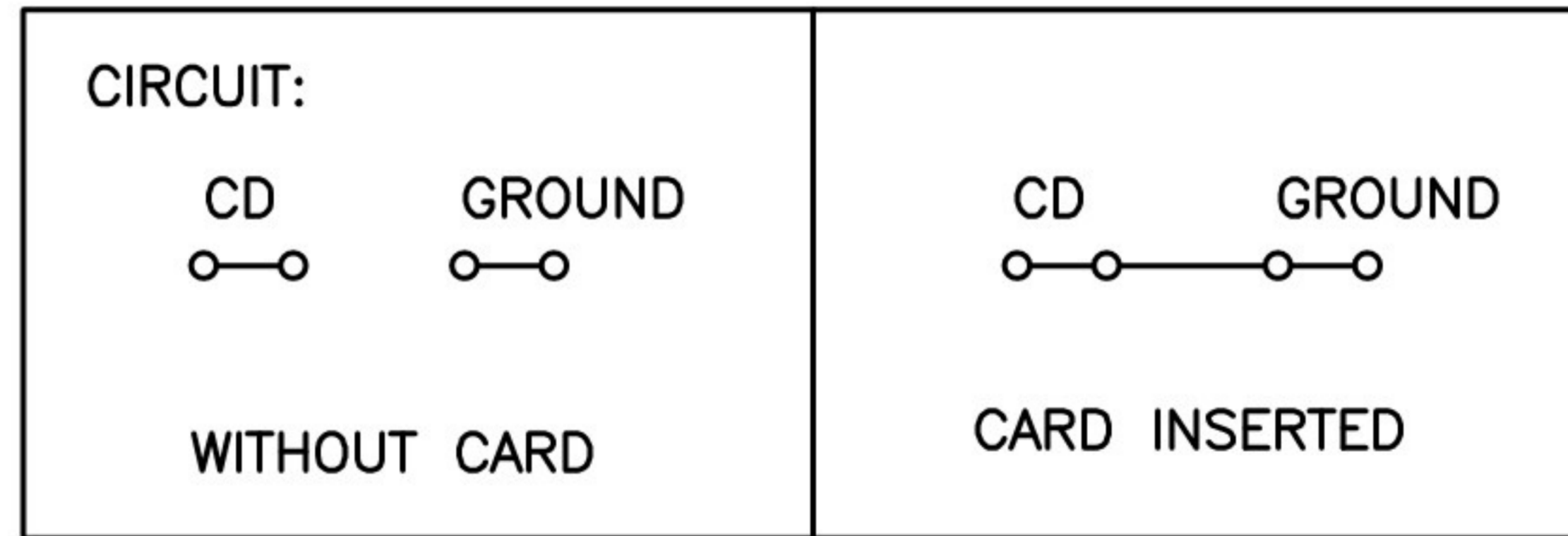
REV	LOCATIONS	DESCRIPTION	DATE	REVISER	APPD

Electrical
 Current Rating: 0.5A AC(rms)/DC
 Voltage Rating: 100V AC(rms)/DC
 Contact Resistance: 30 mΩ Max
 Insulation Resistance: 1000 MΩ MIN
 Withstanding Voltage: 500V AC r.m.s
 Temperature Range-Operating: -25°C~+80°C

Material and Plating
 Housing: High Temperature Plastic(UL 94V-0)
 Contact Pin: Phosphor Bronze
 Plating: 1μ" gold in contact area, tin on tail
 Durability: 10,000 Times



Recommended P.C.Board Layout
 General tolerances: ±.002(0.05)



Pin No.	MICRO SD
PIN1	DAT2 1P
PIN2	CD/DAT3 2P
PIN3	CMD 3P
PIN4	VDD 4P
PIN5	CLK 5P
PIN6	VSS 6P
PIN7	DAT0 7P
PIN8	DAT1 8P
PIN9	CARD DETECT
PIN10	RRROUND

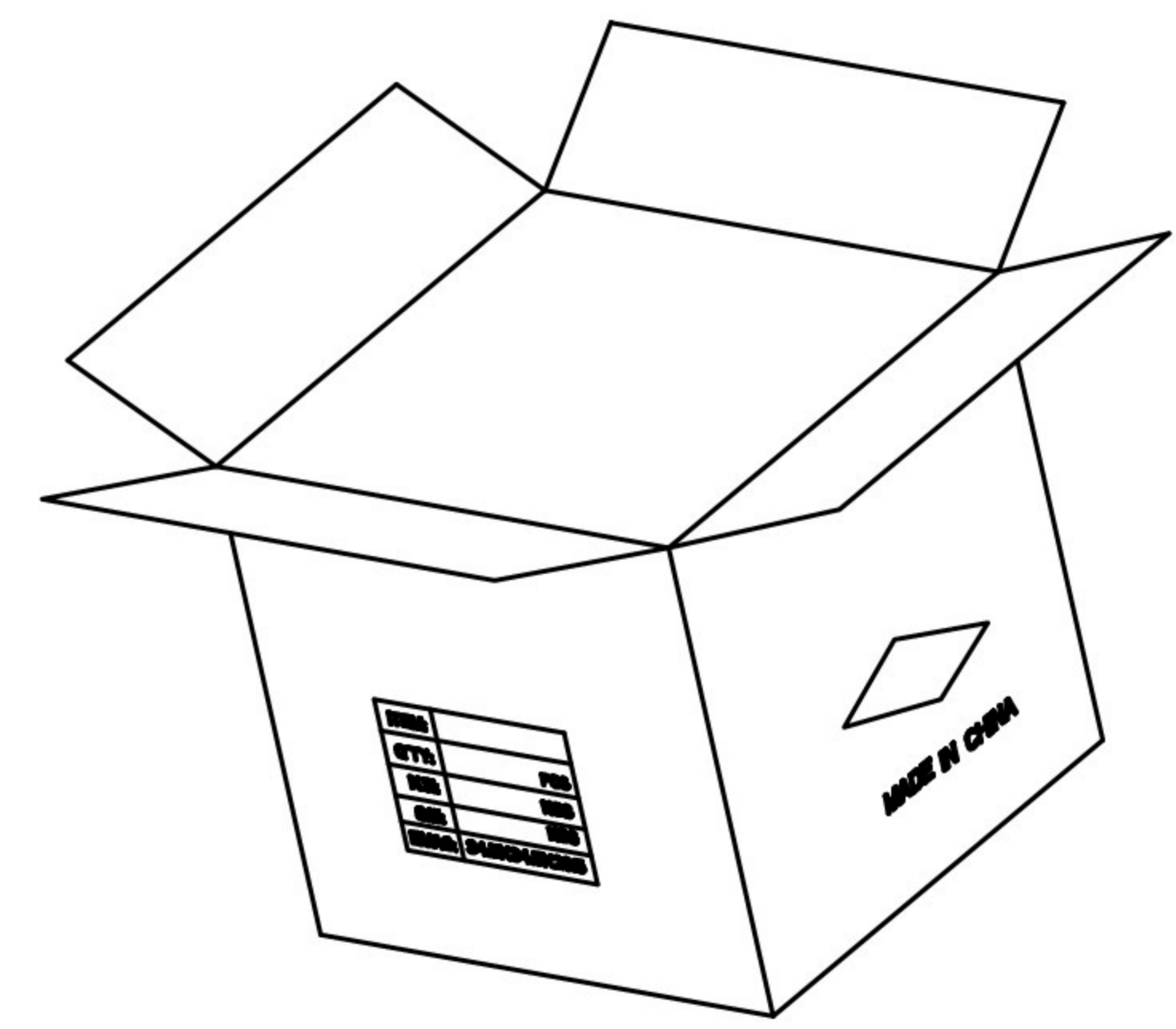
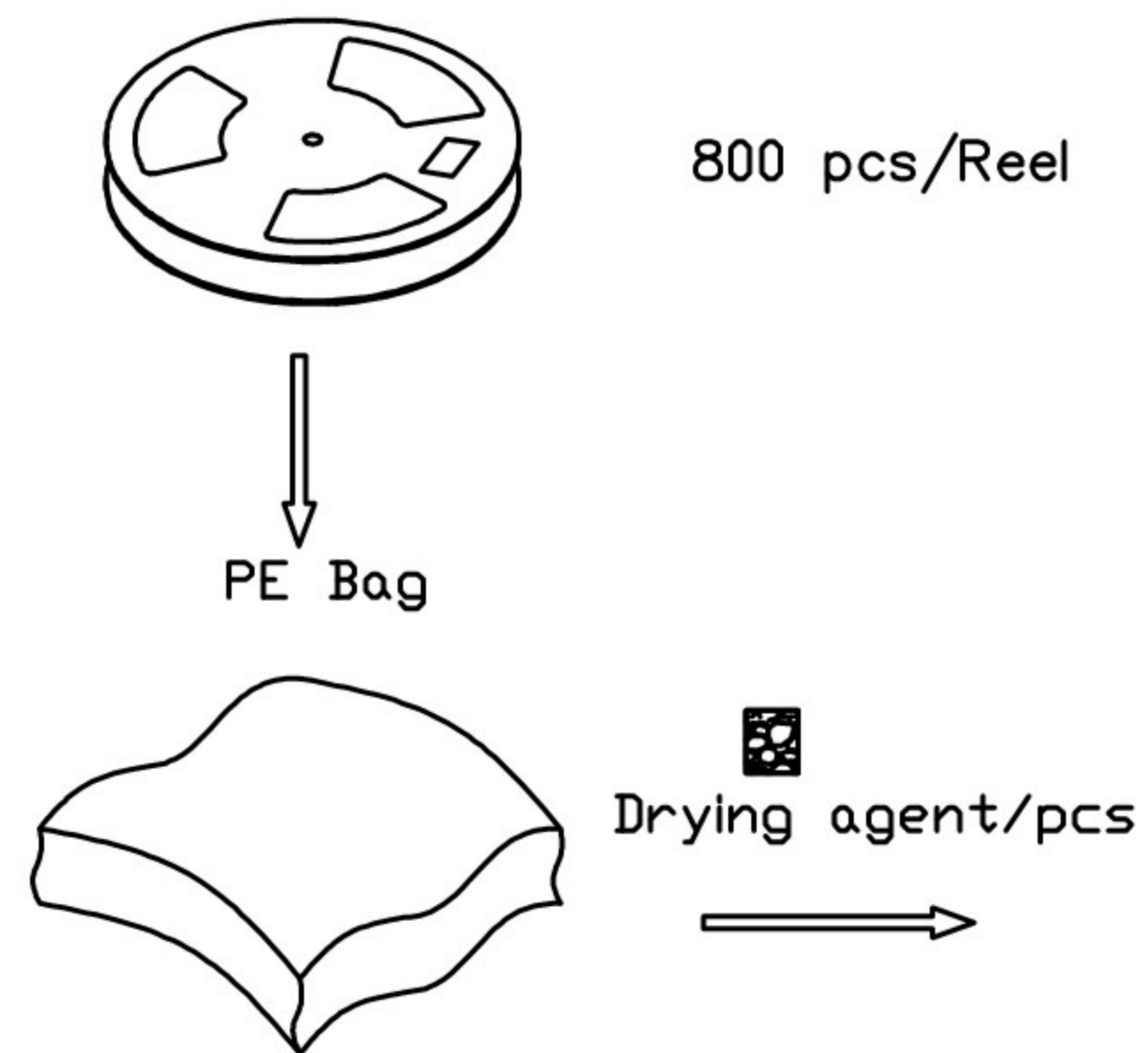
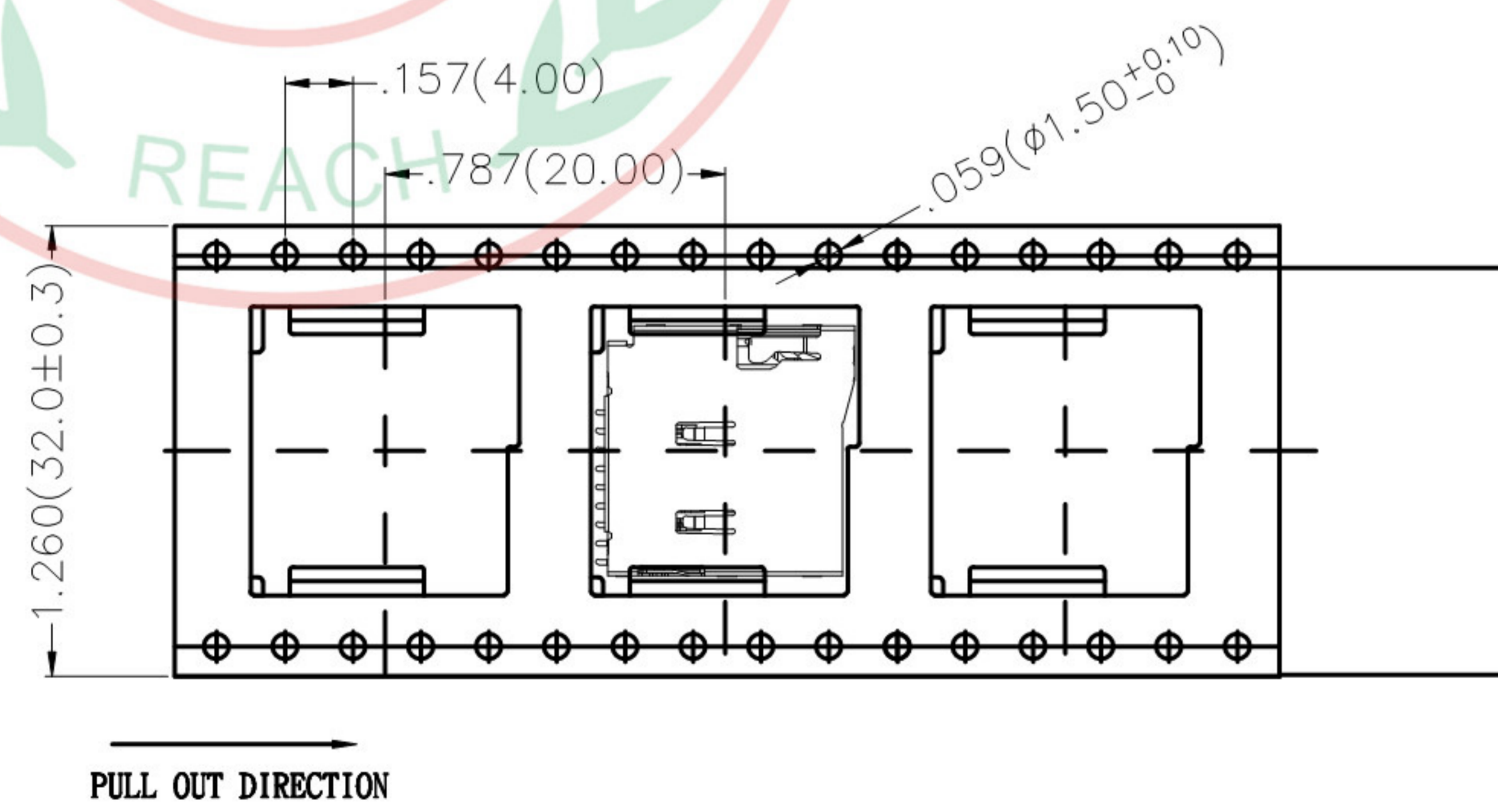
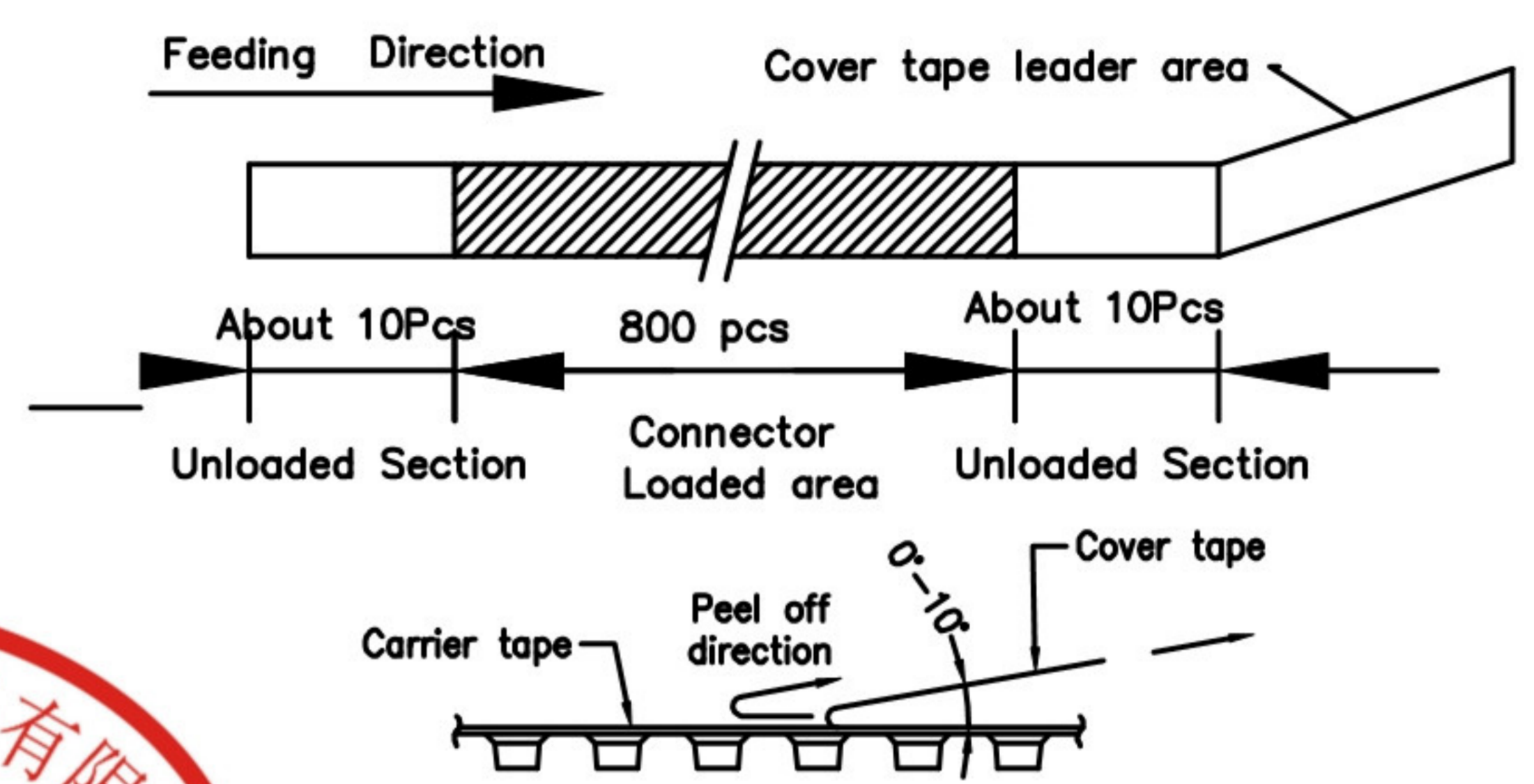
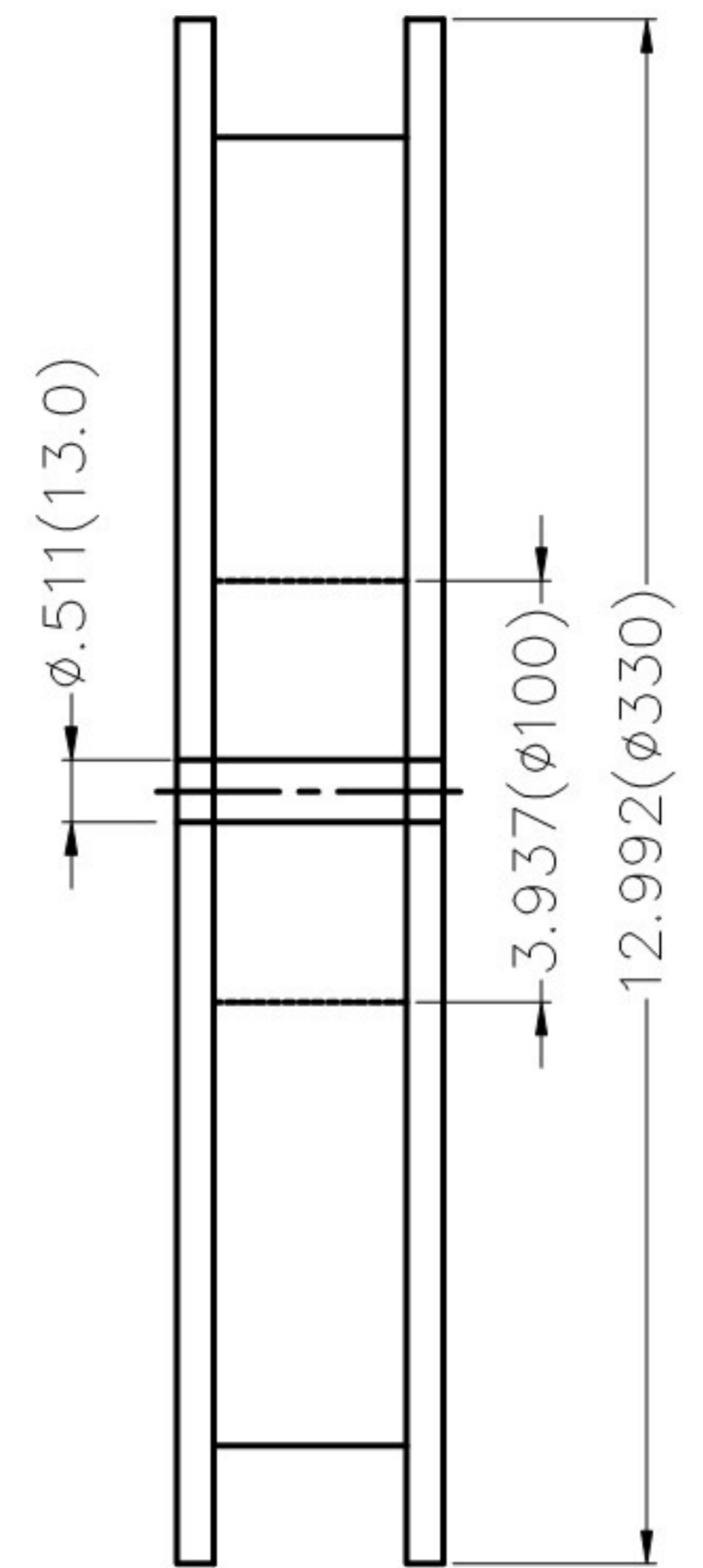
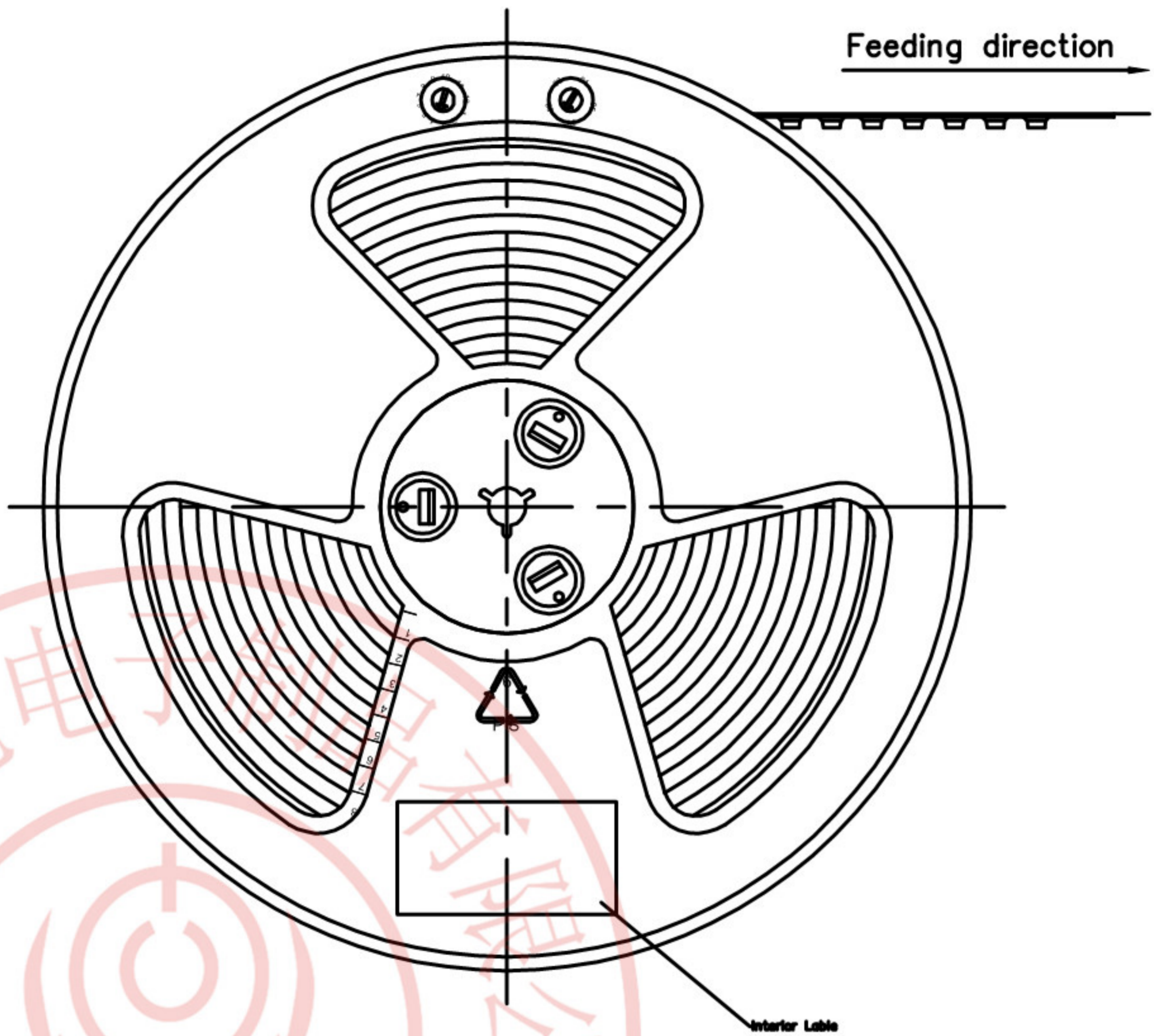


 THIRD ANGLE PROJECTION DESIGN UNITS Inch (metric) SCALE 5:1 SIZE A4	GENERAL TOLERANCES (UNLESS SPECIFIED) X.±.012(0.30) X.*±5° X.X±.008(0.20) .X*±2° X.XX±.006(0.15) .XX*±1° X.XXX±.004(0.10) .XXX*±0.5°		APPROVE BY FRANK CHECKED BY CHERRY DRAWN BY Aubrey	DATE 13/JUL/19 DATE 13/JUL/19 DATE 13/JUL/19	PART NO. FCD427-7M TITLE Mirco SD card connector(H=2.05mm)	ITEM NO. FCD427 REV 0	 SHEET NO. 2/3
	THIS DRAWING CONTAINS INFORMATION THAT IS PROPRIETARY TO DONG GUAN LANG LUN(3K-KAMING) ELECTRONIC PRODUCTS CO., LTD. AND SHOULD NOT BE USED WITHOUT WRITTEN PERMISSION						

1 2 3 4 5 6 7 8

REV	LOCATIONS	DESCRIPTION	DATE	REVISER	APPD

- Note:
- 10 sprocket hole cumulative tolerance $\pm 0.008(0.2)$
 - Carrier camber is within 1.0mm in 100mm
 - Material: White Conductive polystyrene Alloy 100% recyclable
 - All dimensions meet EIA-481-3 requirements
 - Component load per 13" reel: 800pcs



<p>THIRD ANGLE PROJECTION</p>	GENERAL TOLERANCES (UNLESS SPECIFIED)		APPROVE BY	DATE	PART NO.	ITEM NO.	<p>3K-KAMING</p>
	X. \pm 0.12(0.30)	X. \pm 5°	FRANK	13/JUL/19	FCD427-7M	FCD427	
DESIGN UNITS	X.X \pm 0.008(0.20)	X. \pm 2°	CHECKED BY	DATE	TITLE		REV 0 SHEET NO. 3/3
Inch (metric)	X.XX \pm 0.006(0.15)	.XX \pm 1°	CHERRY	13/JUL/19	Mirco SD card connector(H=2.05mm)		
SCALE	SIZE	X.XXX \pm 0.04(0.10)	.XXX \pm 0.5°	DRAWN BY	DATE	THIS DRAWING CONTAINS INFORMATION THAT IS PROPRIETARY TO DONG GUAN LANG LUN(3K-KAMING) ELECTRONIC PRODUCTS CO., LTD. AND SHOULD NOT BE USED WITHOUT WRITTEN PERMISSION	
5:1	A4			Aubrey	13/JUL/19		

1 2 3 4 5 6 7 8