

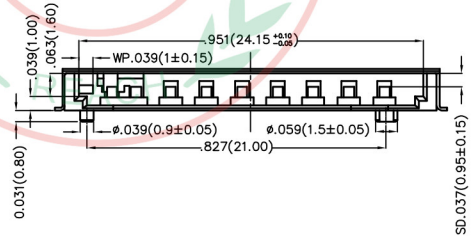
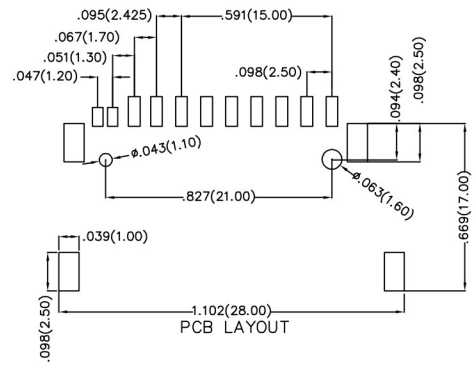
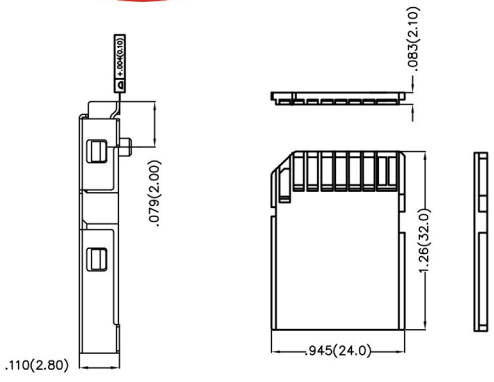
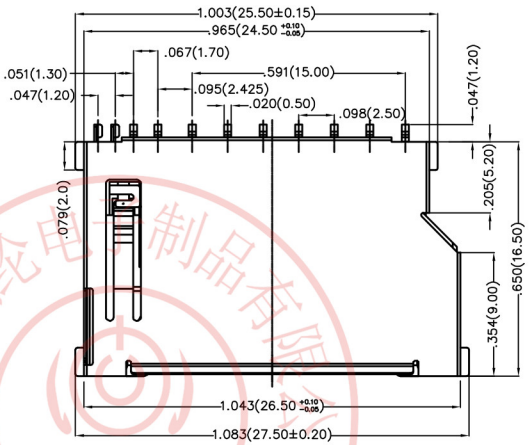
REV	LOCATIONS	DESCRIPTION	DATE	REVISER	APPD



SPECIFICATIONS

Electrical
 Current Rating: 0.5A AC(rms)/DC
 Voltage Rating: 100V AC(rms)/DC
 Contact Resistance: 100 mΩ Max
 Insulation Resistance: 100 Ω MIN 500V
 Withstanding Voltage: 500V AC r.m.s
 Operating Temperature: -25°C ~ +90°C

Material
 Housing: High Temperature Plastic UL 94V-0
 Contact: Phosphor Bronze Gold/Tin-Plated
 Cycles: 1000 Times



How to order

FCD 1/2 03 - 2/K
 1 2 3 4 5

1	Series Name Card-FCD	2	Series Number SD Card-1	3	Distinction No -03	4	Category Short Type-2	5	Packaging Tray-K
---	-------------------------	---	----------------------------	---	-----------------------	---	--------------------------	---	---------------------

 Third Angle Projection UNIT: in(mm) SCALE: 1:1	TOLERANCE (Expect as noted)		APPROVE	Frank	PART NO:		TITLE:	ITEM NO:	 3K-KAMING REV: 0
	X.±.012(0.30)	X.±5'	CHECK	Lynn	FCD103-2K		CARD	CD-103	
	X.X±.008(0.20)	.X±2'	DRAWN	Rong	DATE	17/AUG/10	REQUIRED DOCUMENTS: SD Card Connector Short Series		
	X.XX±.006(0.15)	.XX±1'							
	X.XXX±.004(0.10)	.XXX±0.5'							