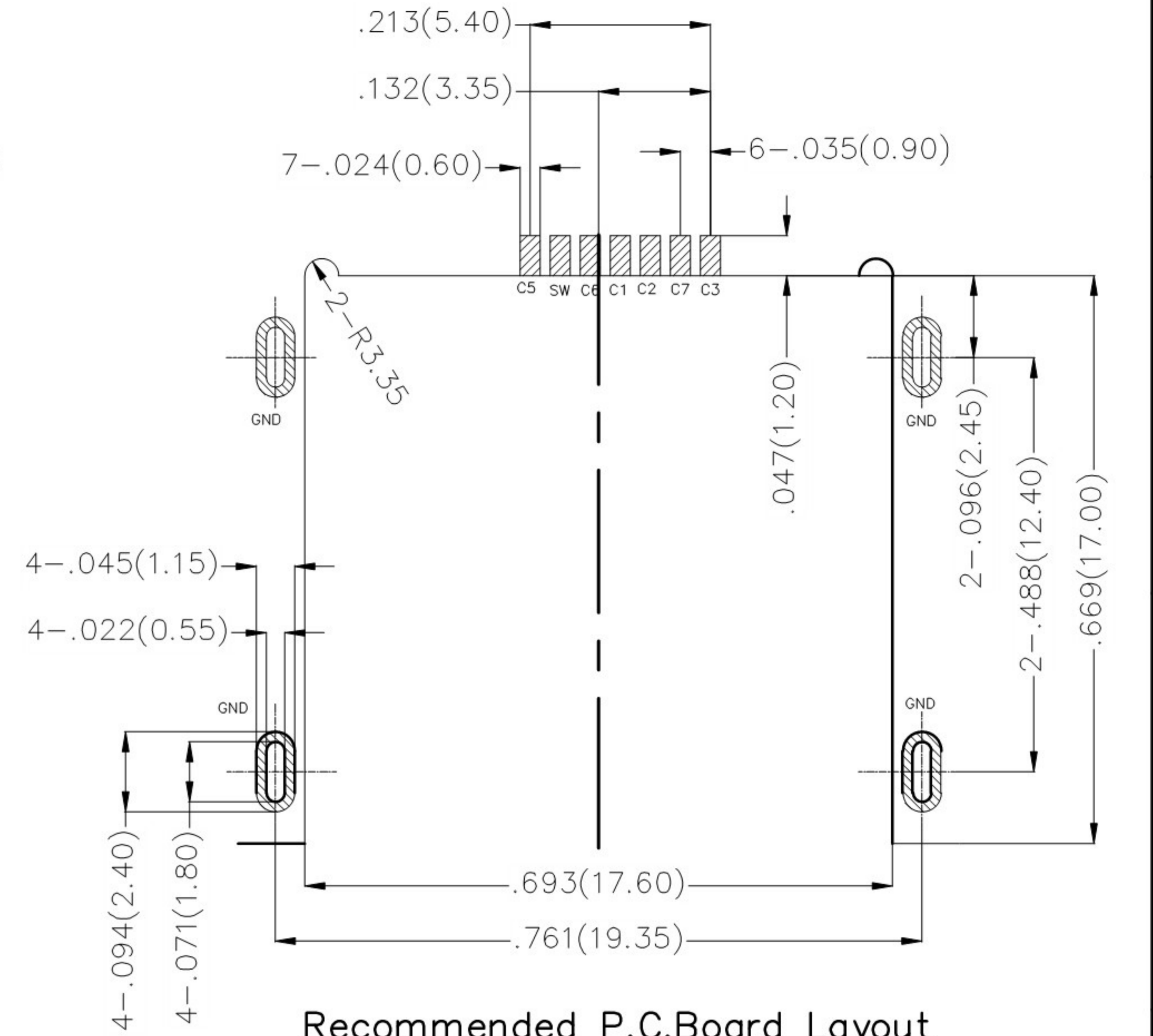
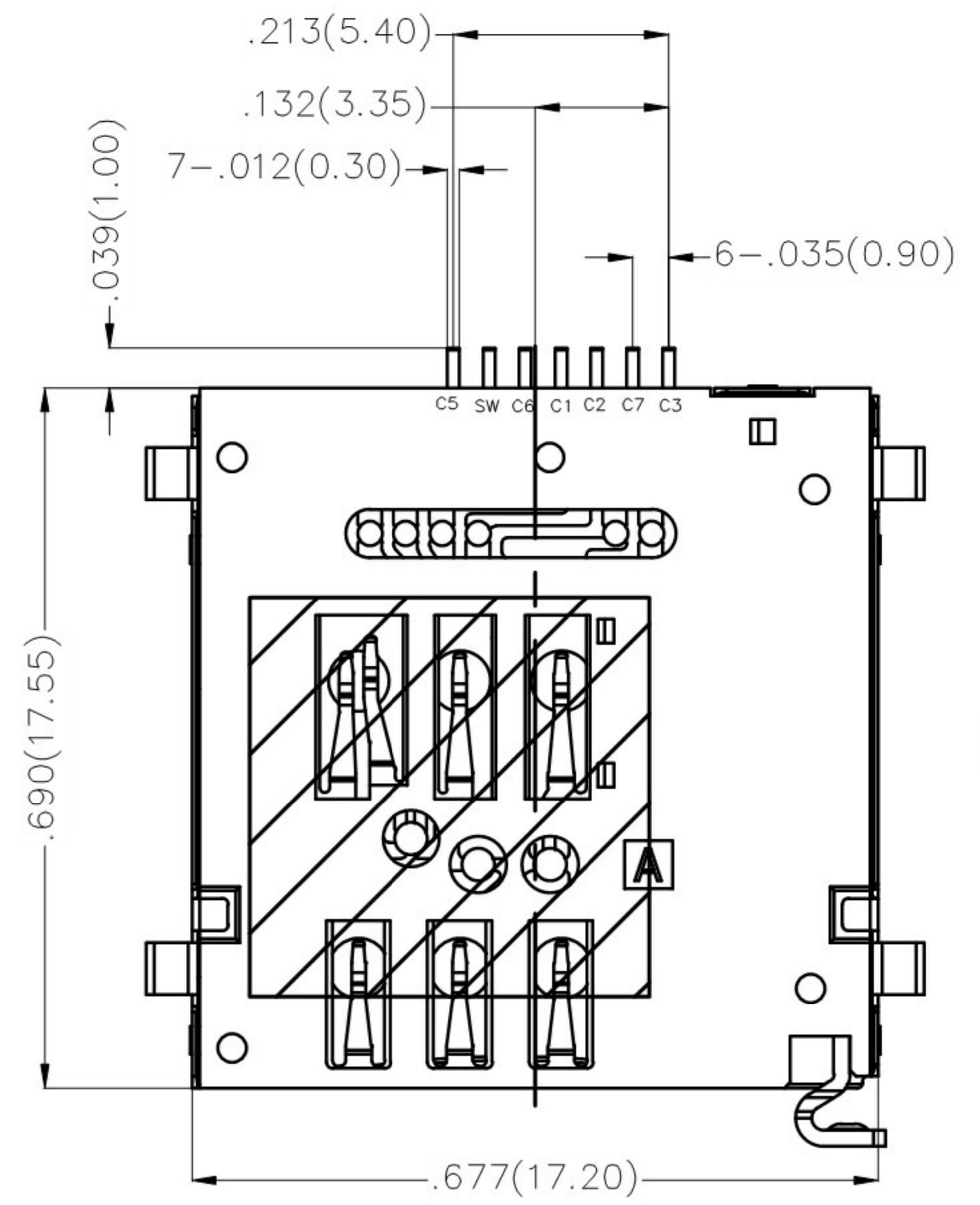
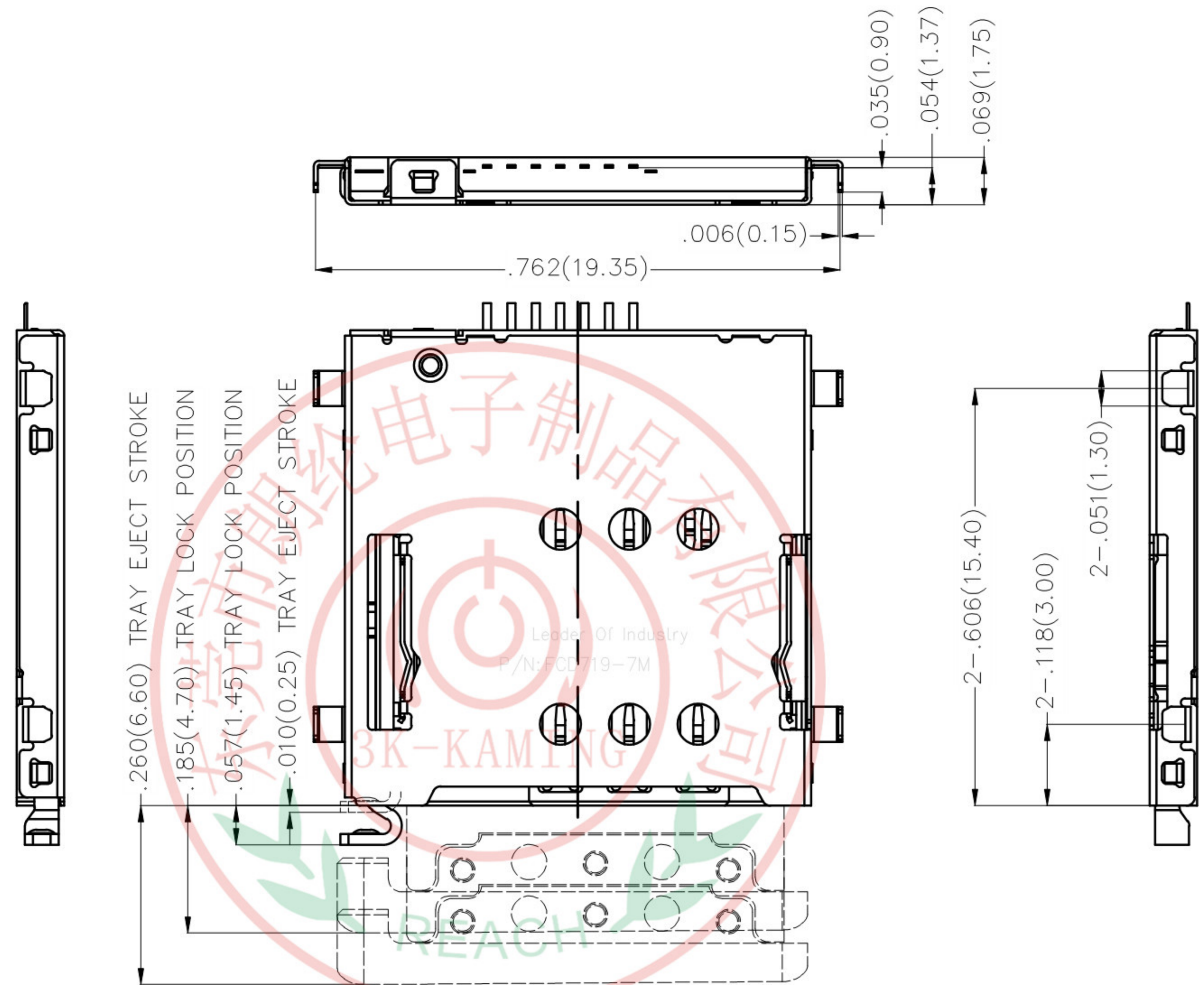
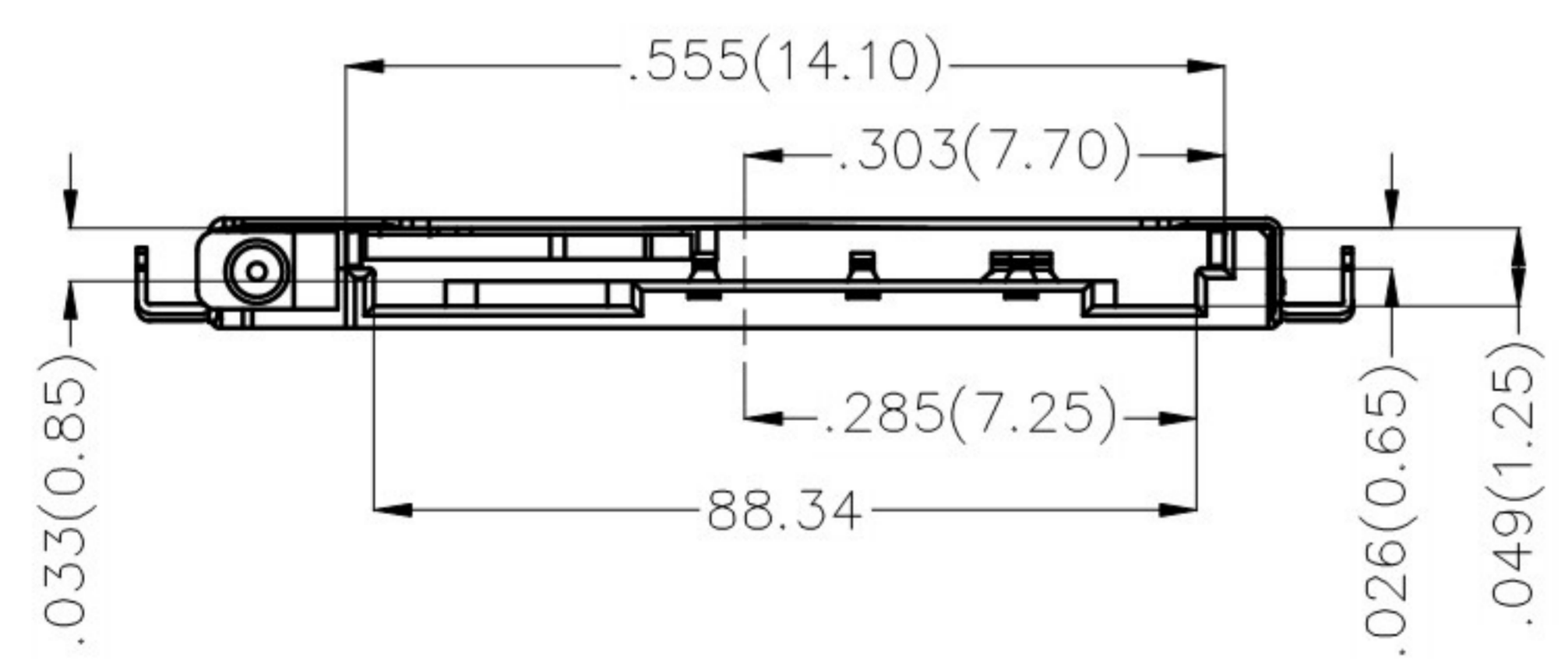


REV	LOCATIONS	DESCRIPTION	DATE	REVISER	APPD
-----	-----------	-------------	------	---------	------



Recommended P.C.Board Layout
General tolerances: $\pm 0.002(0.05)$



Electrical
Current Rating: 0.5A AC(rms)/DC
Voltage Rating: 100V AC(rms)/DC
Contact Resistance: 100 mΩ Max
Insulation Resistance: 1000 MΩ MIN
Withstanding Voltage: 500V AC r.m.s
Temperature Range-Operating: -25°C ~ +85°C

Material
Housing: LCP (UL 94V-0) Black
Contact: Phosphor bronze
Shell: SUS304
Plating
Contact: 1μ" gold in contact and solder area, Nickel plated overall
Shell: 1μ" gold in solder area, Nickel plated overall



NANO SIM CARD	
C1	Vcc
C2	RST
C3	CLK
C5	GND
SW	CD/SW
C6	Vpp
C7	DATA

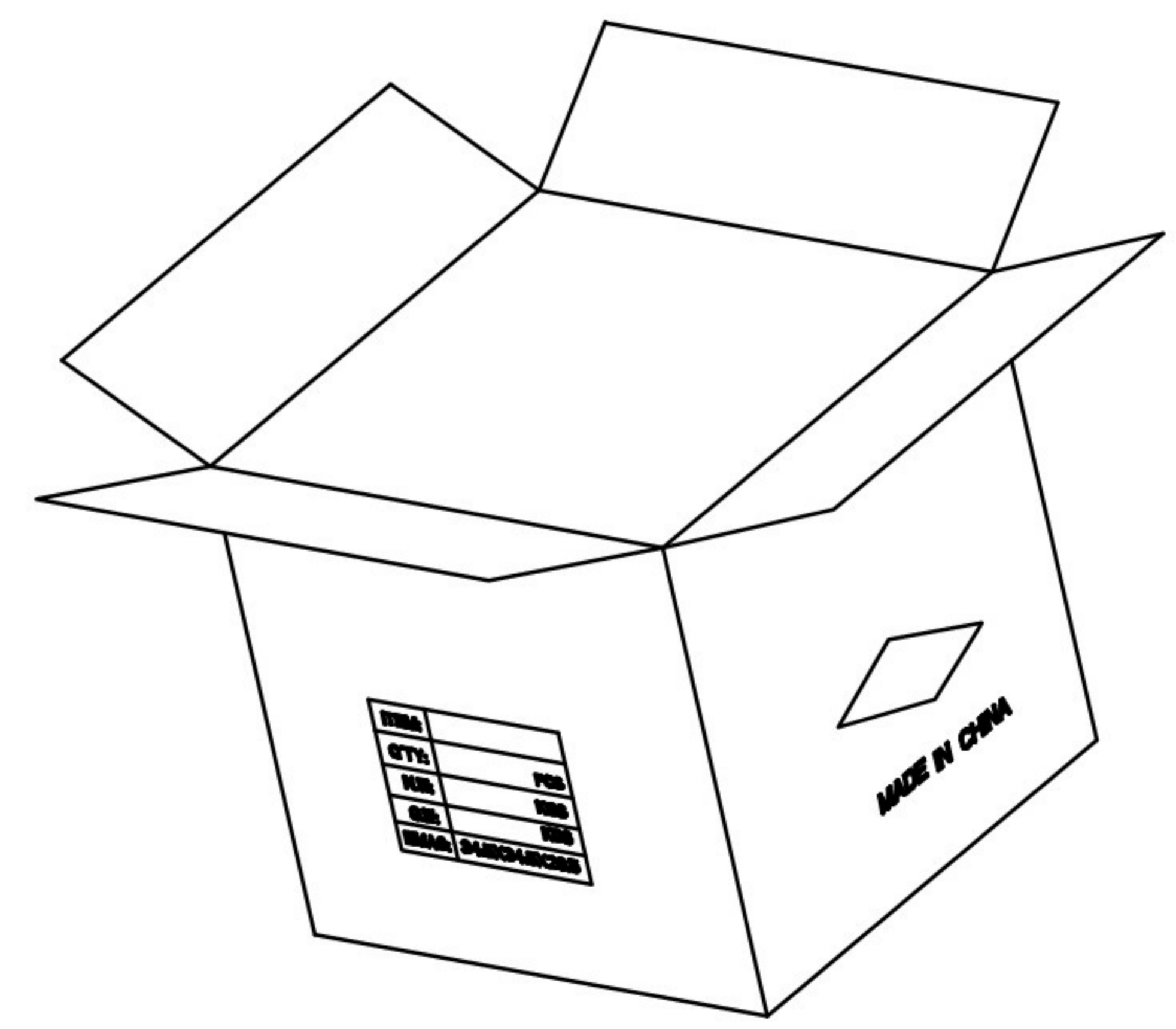
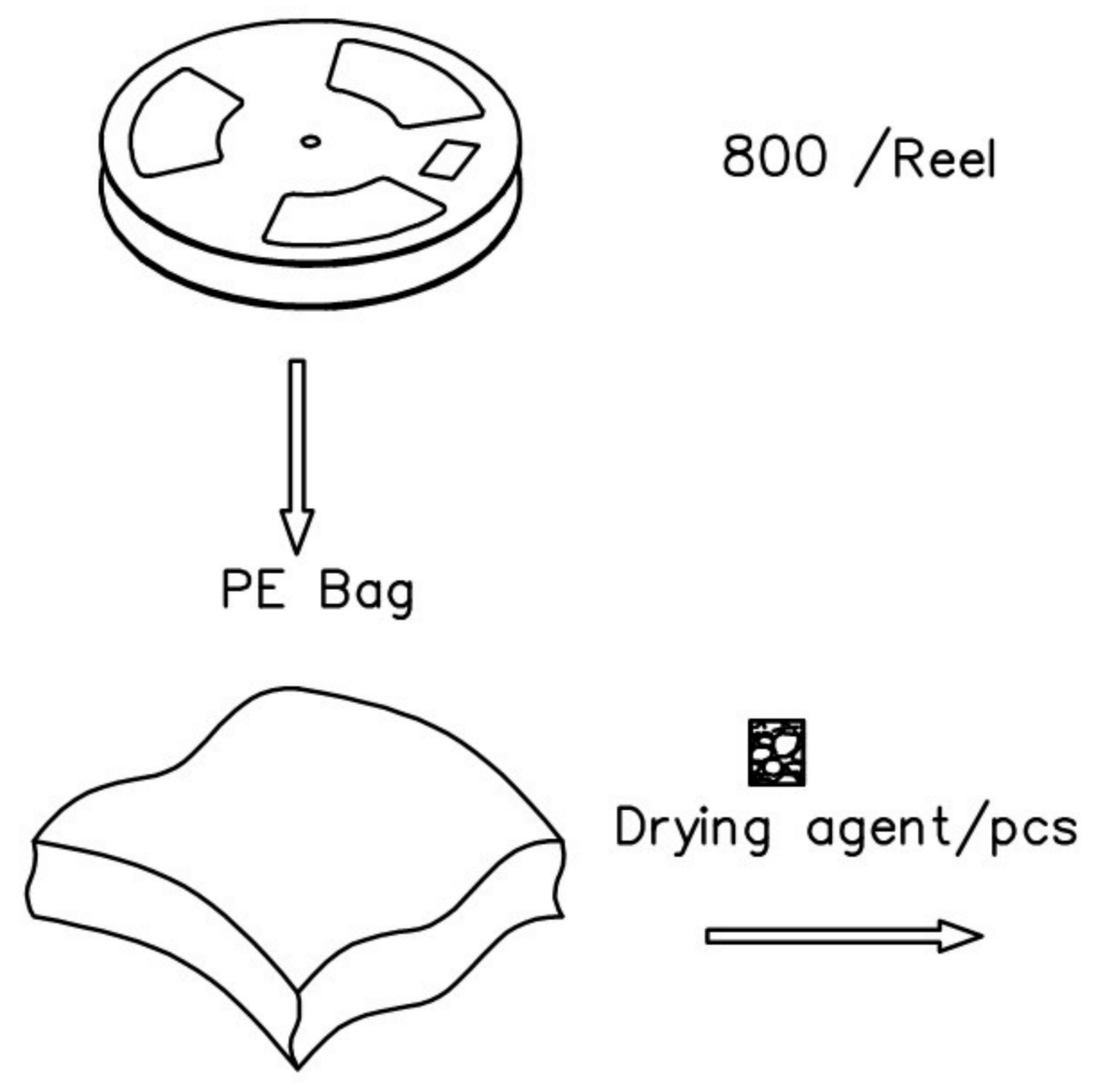
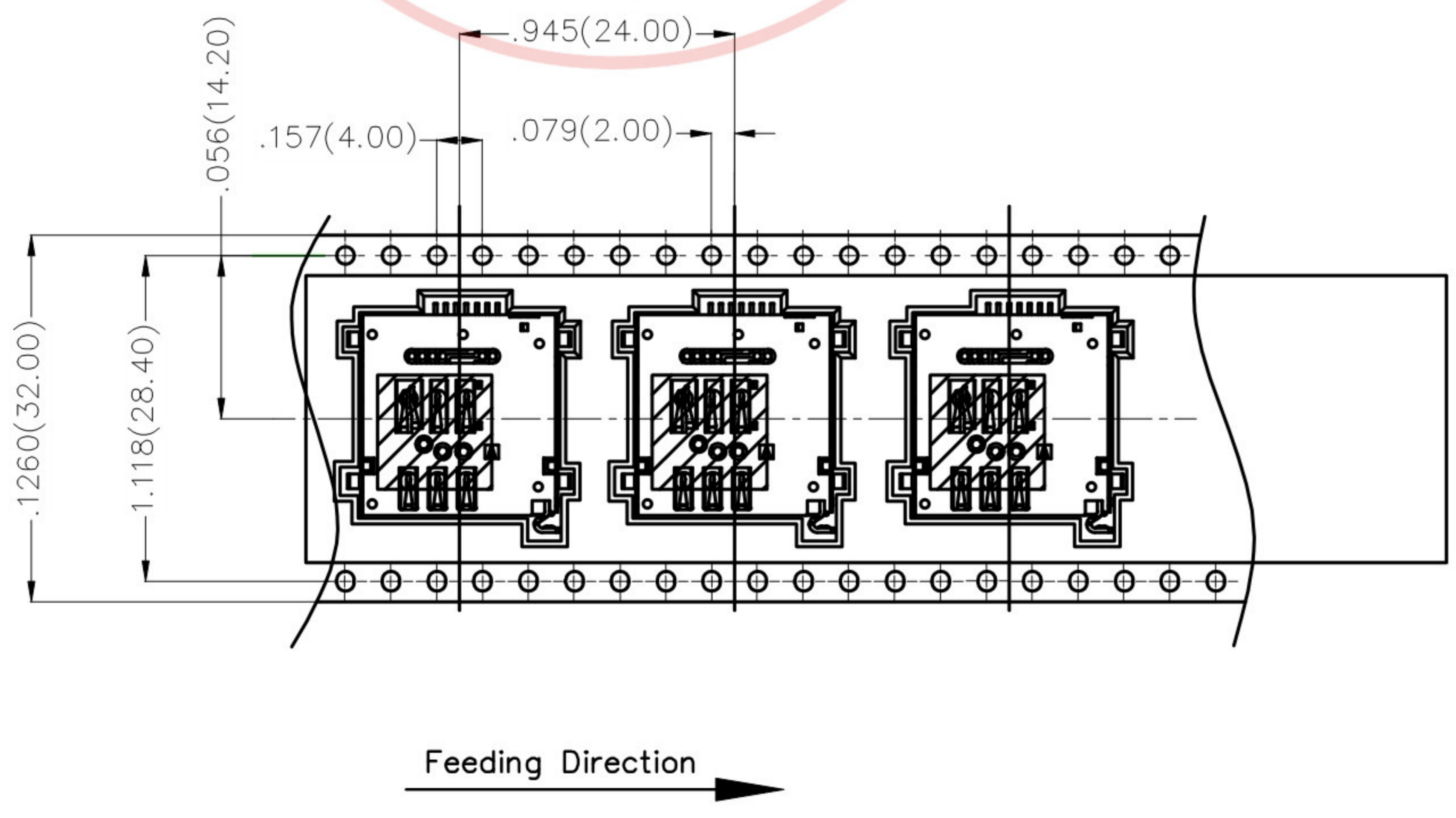
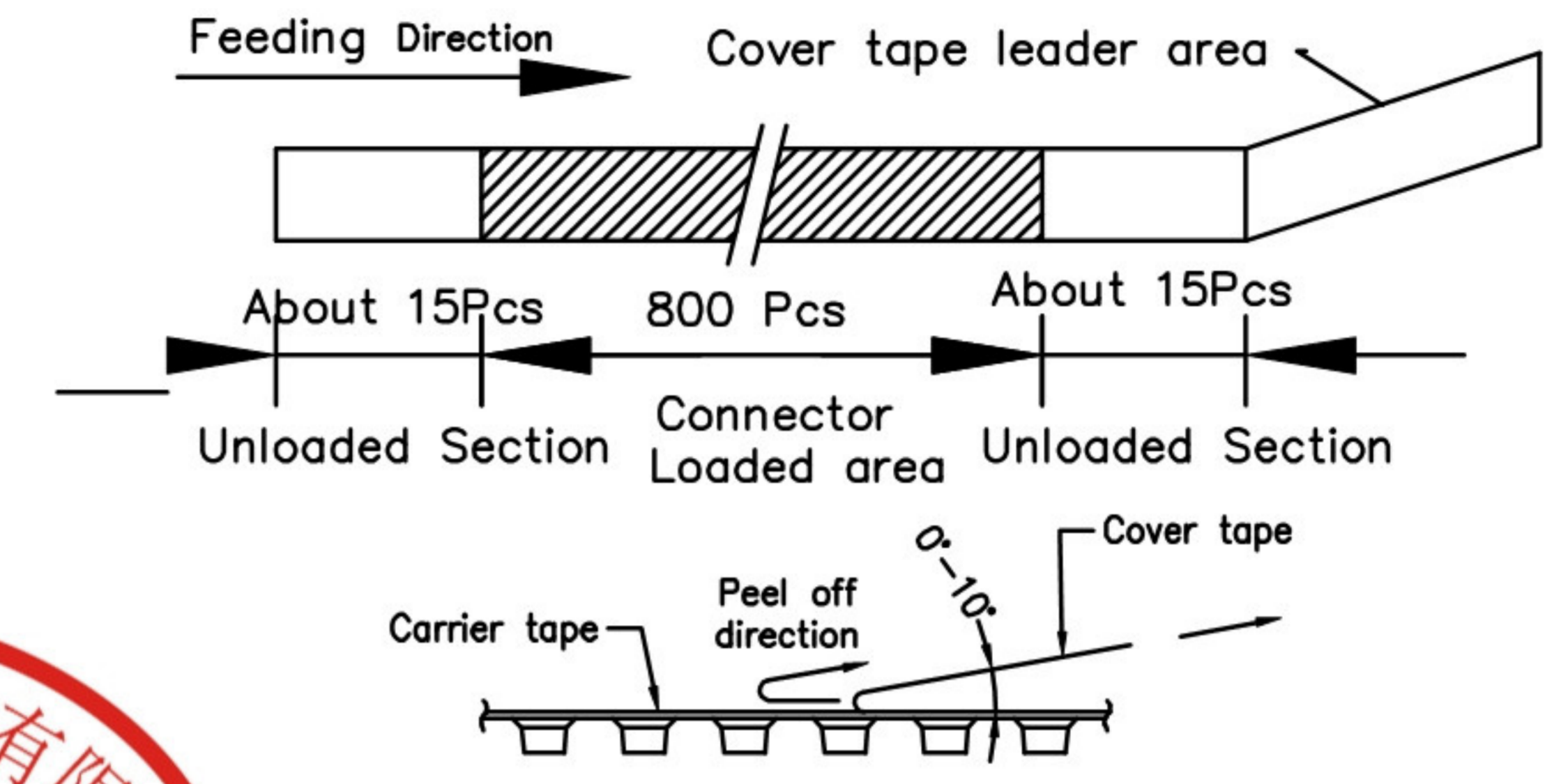
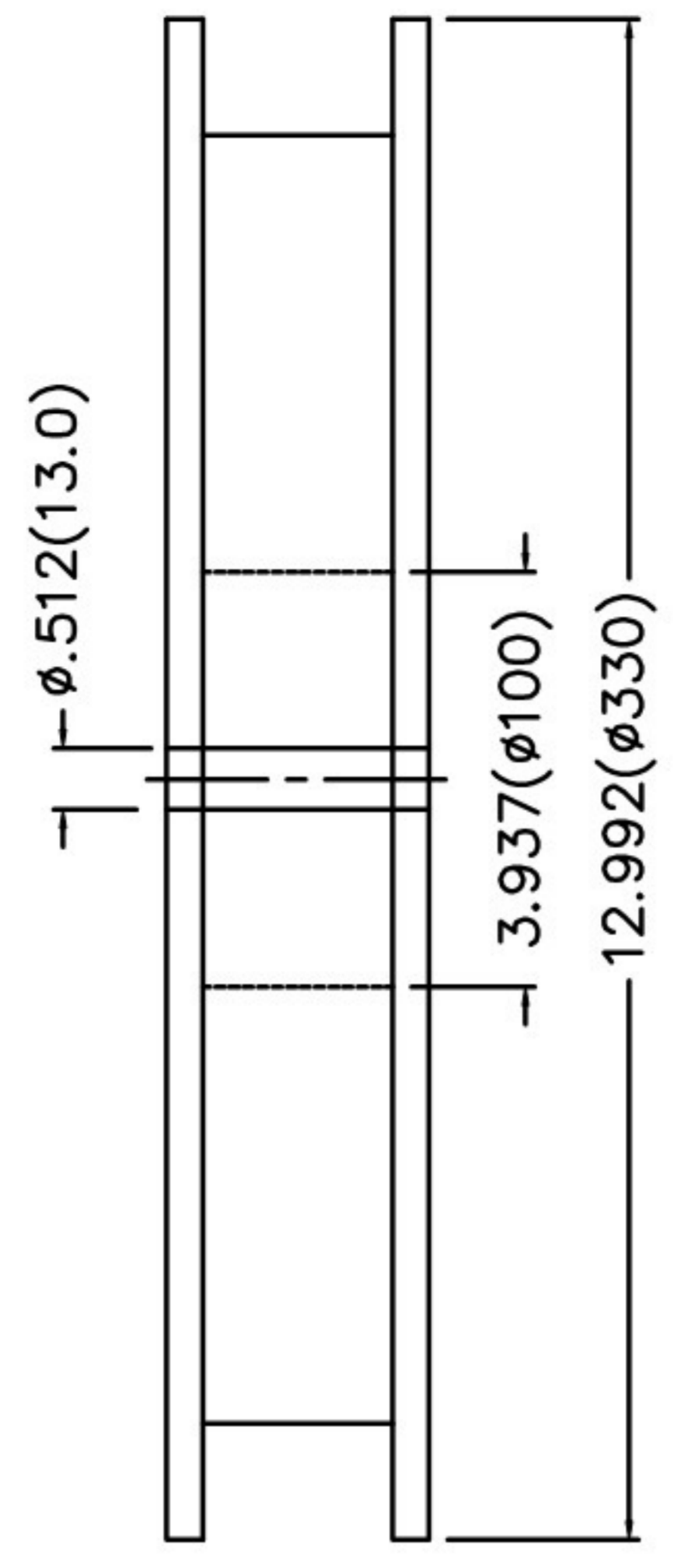
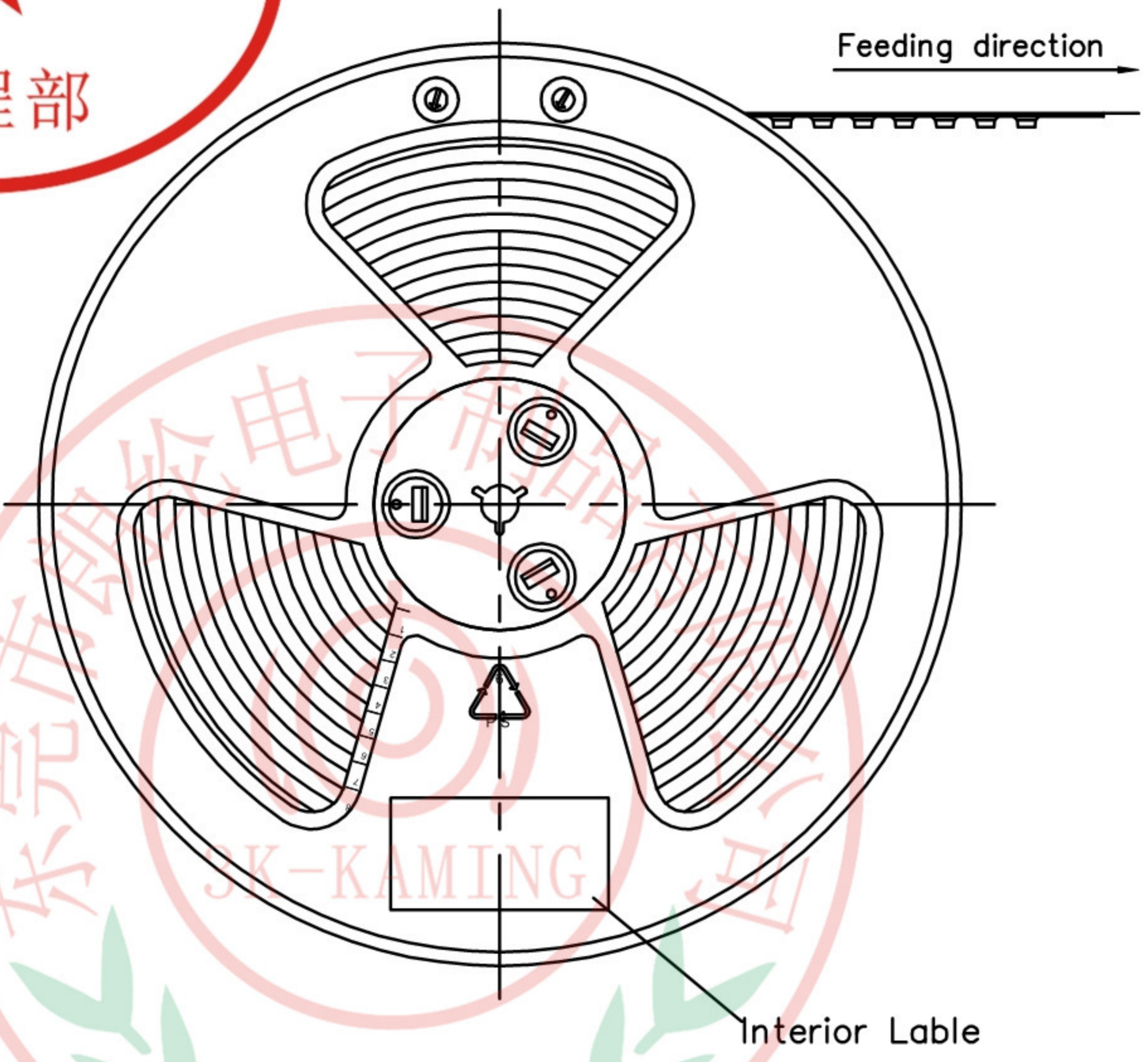


 THIRD ANGLE PROJECTION DESIGN UNITS Inch (metric) SCALE 5:1 SIZE A4	GENERAL TOLERANCES (UNLESS SPECIFIED)		APPROVE BY FRANK	DATE 12/JUL/19	PART NO. FCD909-7M	ITEM NO. FCD909	 3K-KAMING REV 0 SHEET NO. 1/2
	X.±.012(0.30)	X.±5'	CHECKED BY CHERRY	DATE 12/JUL/19	TITLE Micro SIM With Tray 1.75mm		
	X.XX±.008(0.20)	.X'±2'	DRAWN BY ZOEY	DATE 12/JUL/19	THIS DRAWING CONTAINS INFORMATION THAT IS PROPRIETARY TO DONG GUAN LANG LUN (3K-KAMING) ELECTRONIC PRODUCTS CO., LTD. AND SHOULD NOT BE USED WITHOUT WRITTEN PERMISSION		
	X.XX±.006(0.15)	.XX'±1'					
	X.XXX±.004(0.10)	.XXX'±0.5'					



REV	LOCATIONS	DESCRIPTION	DATE	REVISER	APPD

- Note:
- 10 sprocket hole cumulative tolerance ± 0.2
 - Carrier camber is within 1.0mm in 100mm
 - Material: White Conductive polystyrene Alloy 100% recyclable
 - All dimensions meet EIA-481-3 requirements
 - Component load per 13" reel: 800pcs



<p>THIRD ANGLE PROJECTION</p>	GENERAL TOLERANCES (UNLESS SPECIFIED)		APPROVE BY	DATE	PART NO.	ITEM NO.	<p>3K-KAMING</p>	
	X.±.012(0.30)	X.±5'	FRANK	12/JUL/19	FCD909-7M	FCD909		
	DESIGN UNITS Inch (metric)	X.X±.008(0.20)	.X'±2'	CHECKED BY	DATE	TITLE		REV 0 SHEET NO. 2/2
	SCALE	X.XX±.006(0.15)	.XX'±1'	CHERRY	12/JUL/19	Micro SIM With Tray 1.75mm		
SIZE	X.XXX±.004(0.10)	.XXX'±0.5'	DRAWN BY	DATE	THIS DRAWING CONTAINS INFORMATION THAT IS PROPRIETARY TO DONG GUAN LANG LUN(3K-KAMING) ELECTRONIC PRODUCTS CO., LTD. AND SHOULD NOT BE USED WITHOUT WRITTEN PERMISSION			
5:1	A4		ZOEY	12/JUL/19				