

REV	LOCATIONS	DESCRIPTION	DATE	REVISER	APPD

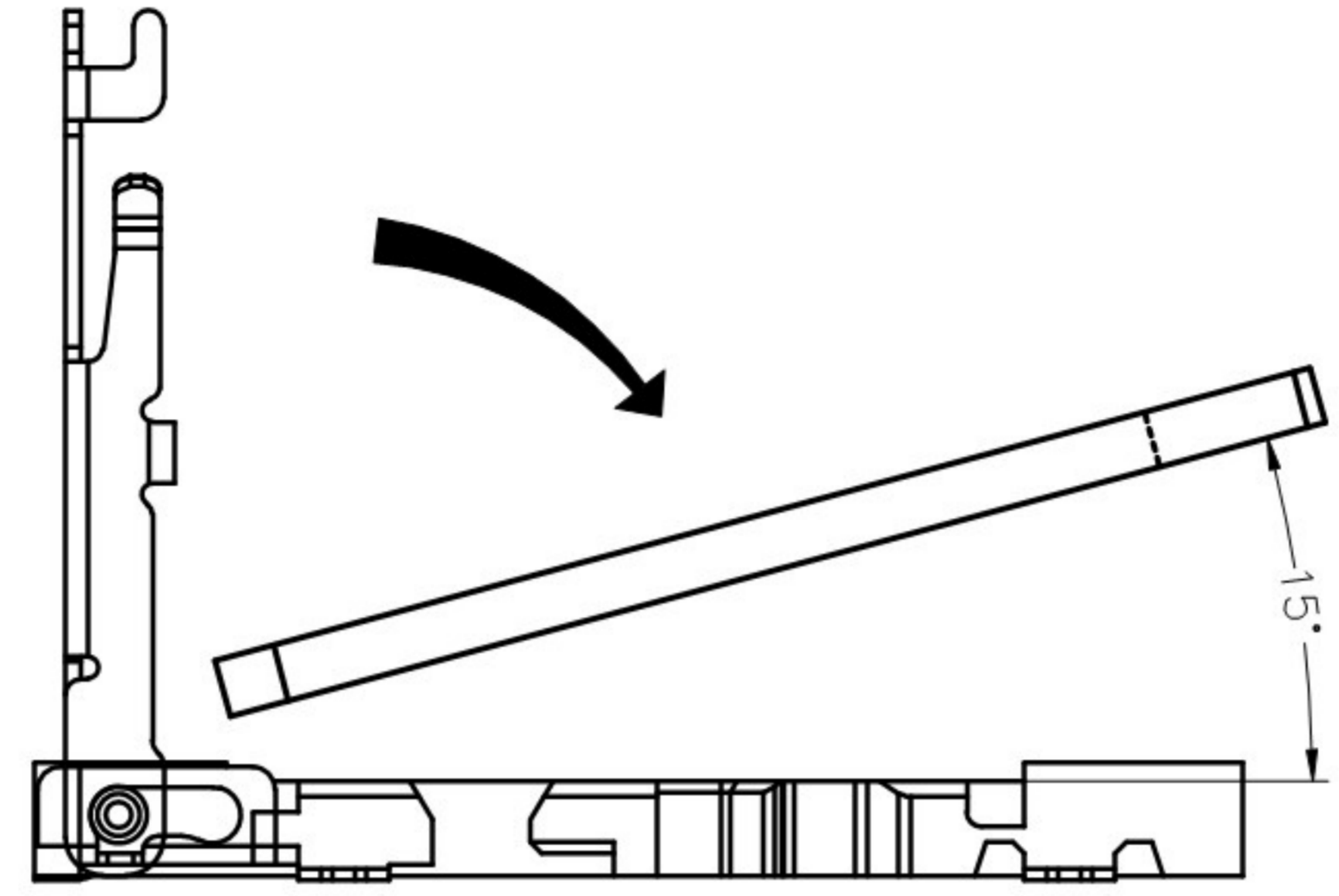
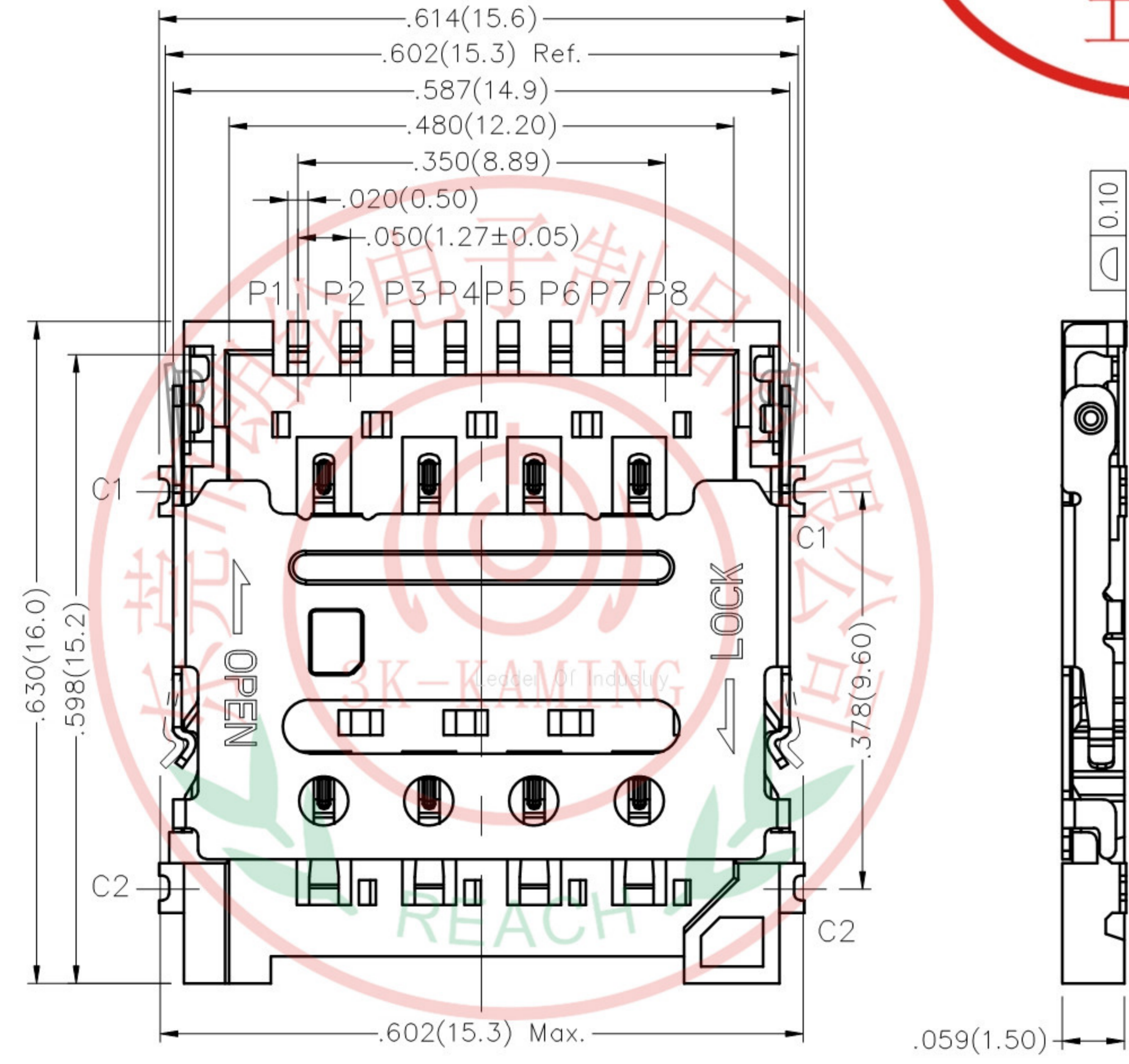


SPECIFICATIONS

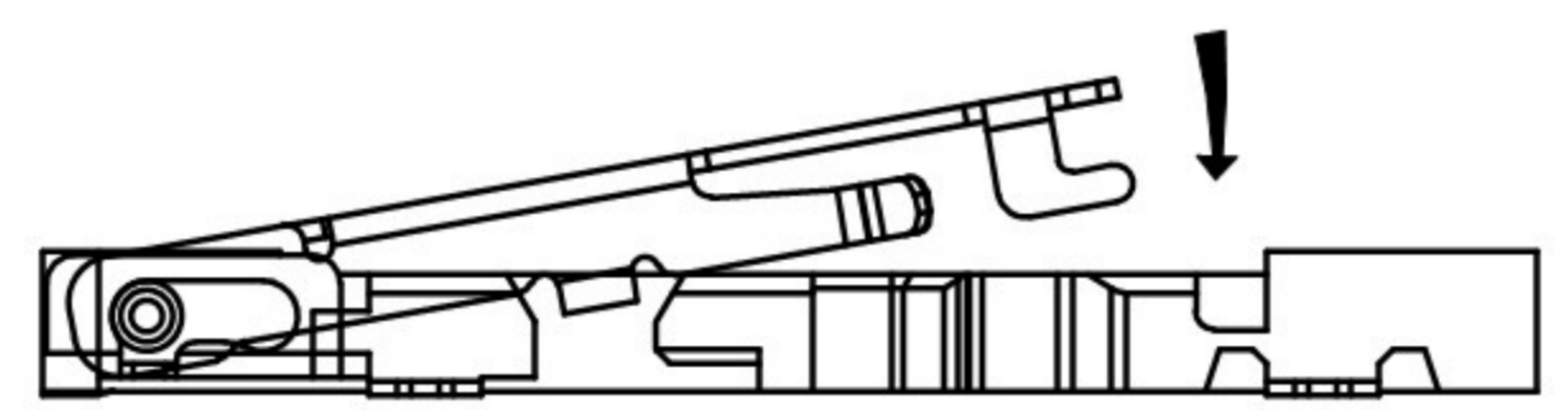
Electrical
 Current Rating: 1.0A AC(rms)/DC
 Voltage Rating: 50V AC(rms)/DC
 Contact Resistance: 50 mΩ Max
 Insulation Resistance: 1000 MΩ Min/DC 500V
 Withstanding Voltage: 500V AC r.m.s
 Temperature Range-Operating: -25°C~+85°C

Material
 Housing: LCP (UL 94V-0) Black
 Contact: Phosphor bronze
 Shell: SUS304

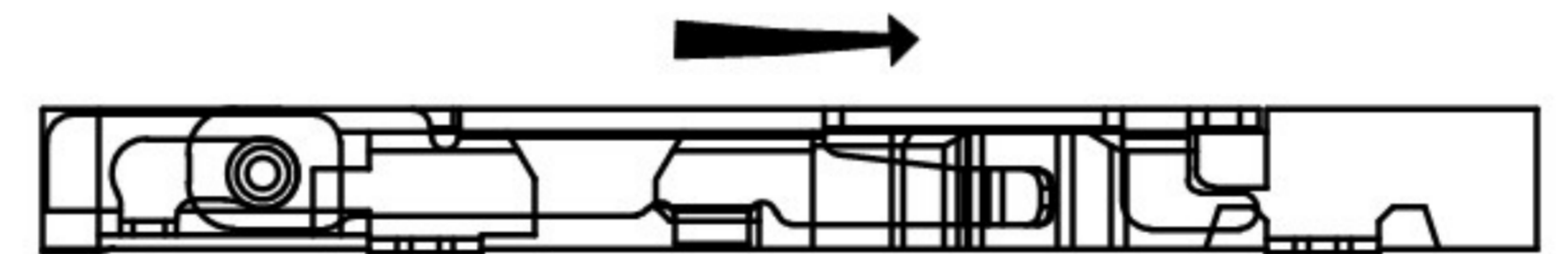
Plating
 Contact: 1μ" gold in contact area, gold flash in solder area, Nickel plated overall
 Shell: Gold flash in solder area, Nickel plated overall



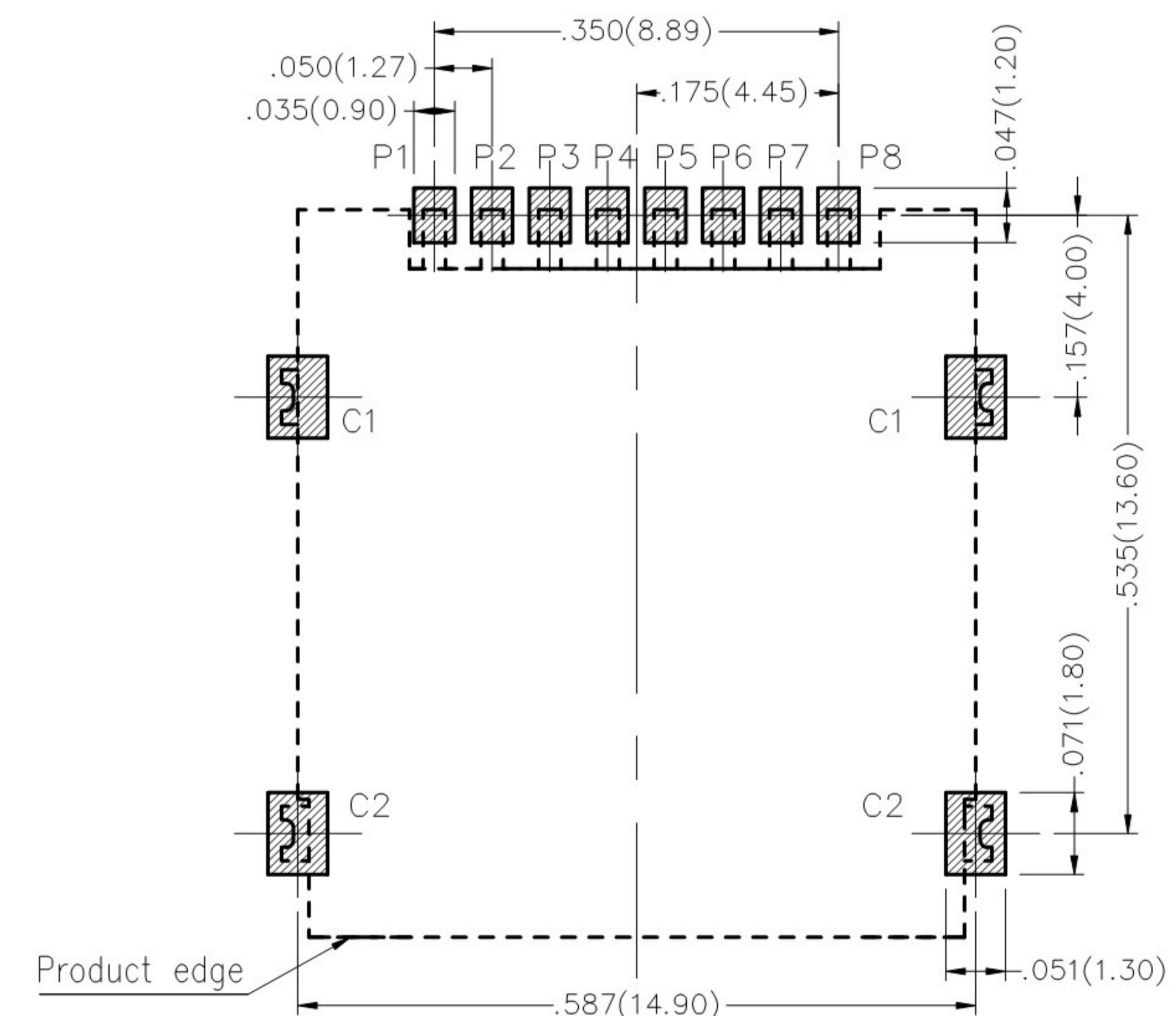
STEP I INSERT MICRO SIM CARD



STEP II

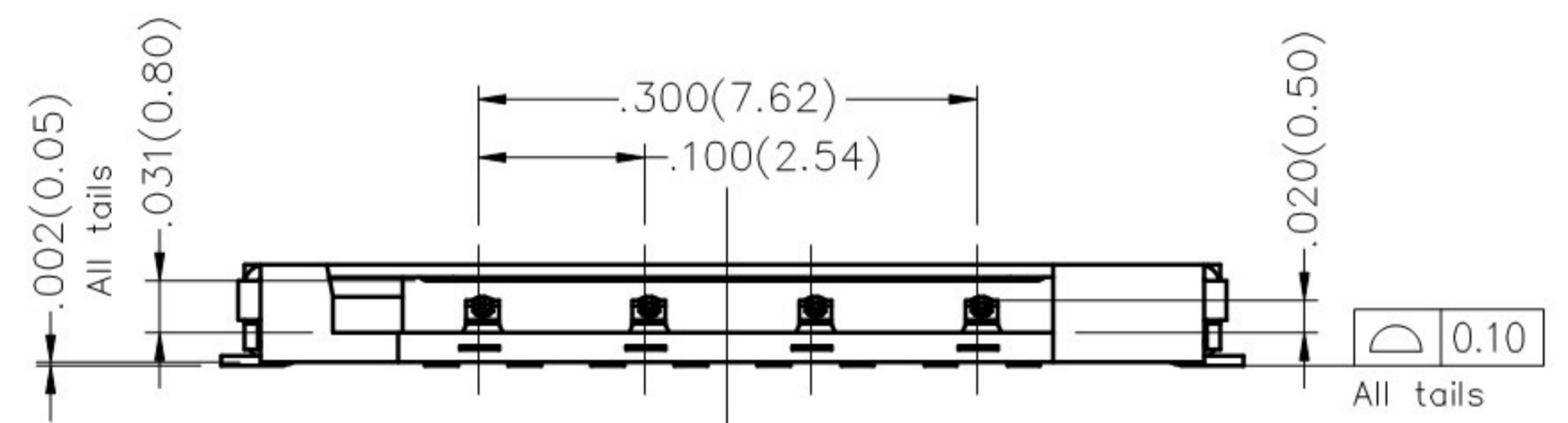


STEP III PUSH SHELL



Recommended P.C.Board Layout

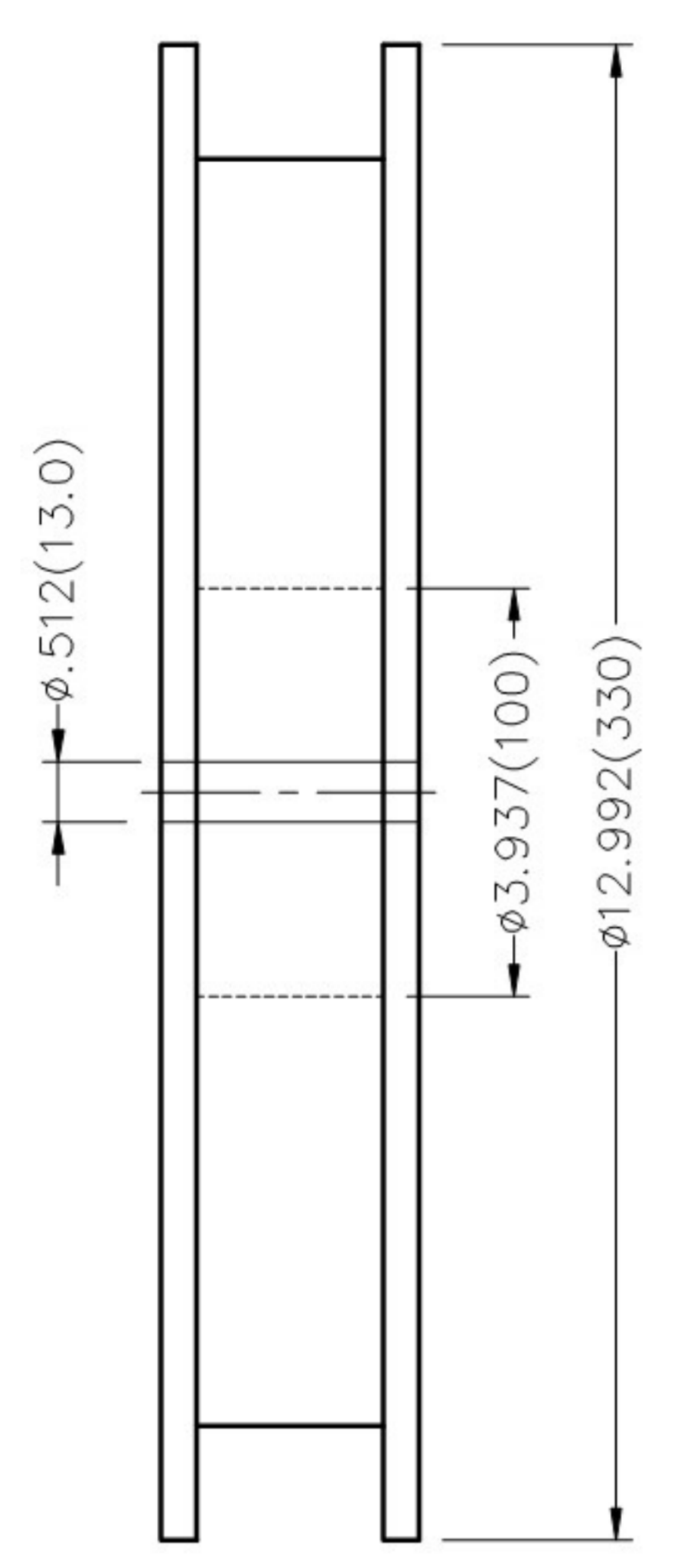
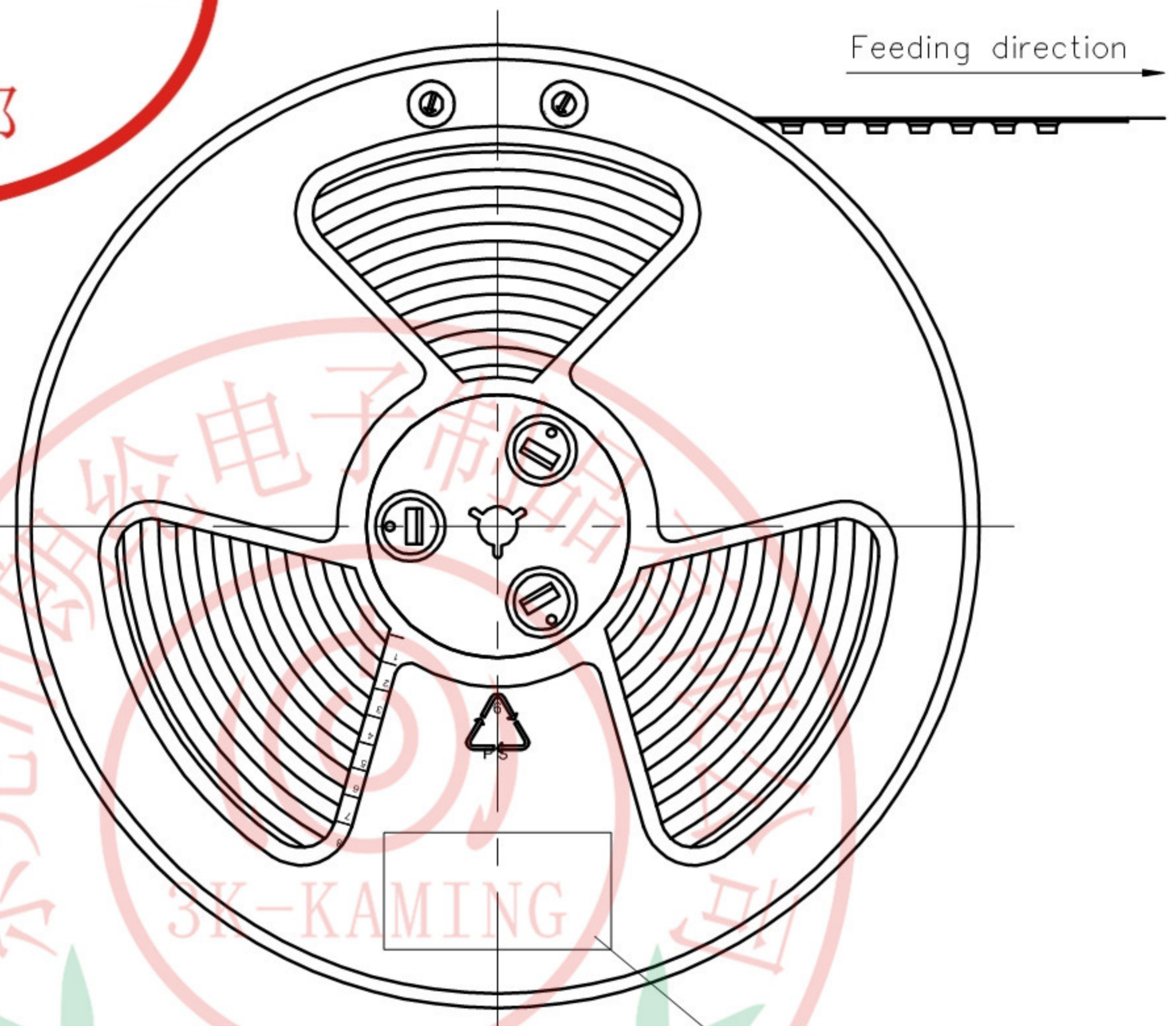
General tolerances: ±.002(0.05)



MICRO SIM CARD	
Circuits	Description
P1	VCC
P2	GND
P3	RST
P4	VPP
P5	CLK
P6	I/O
P7	RESERVED
P8	RESERVED

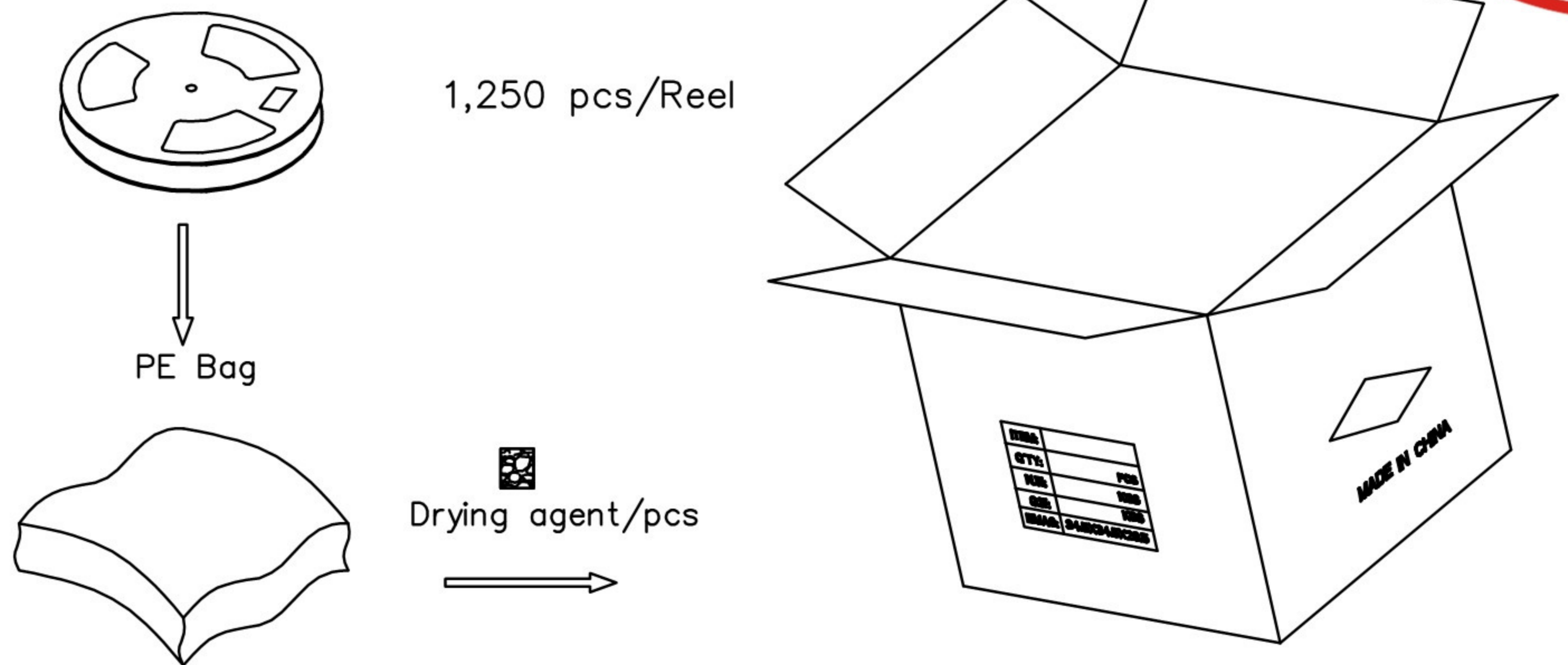
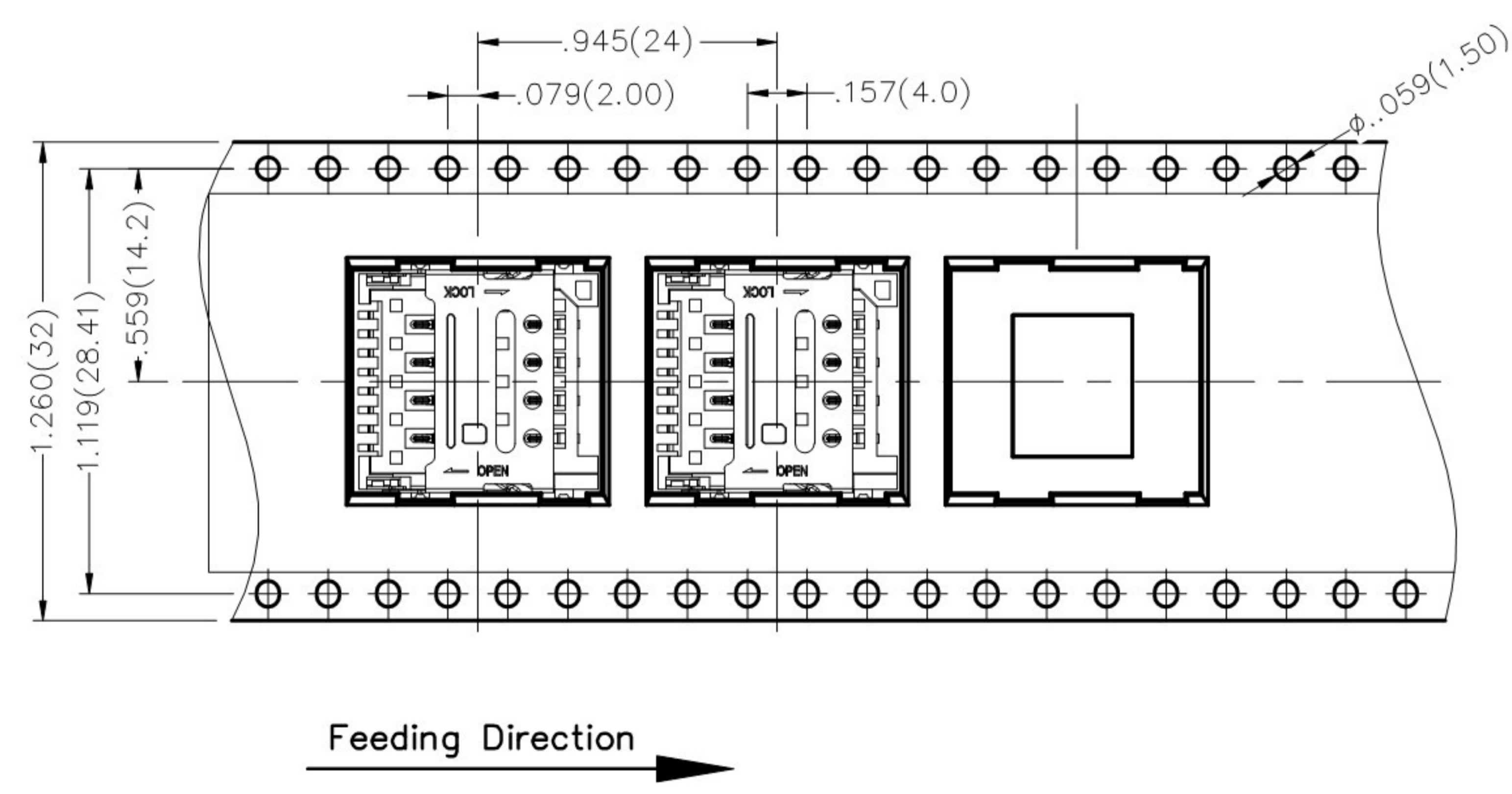
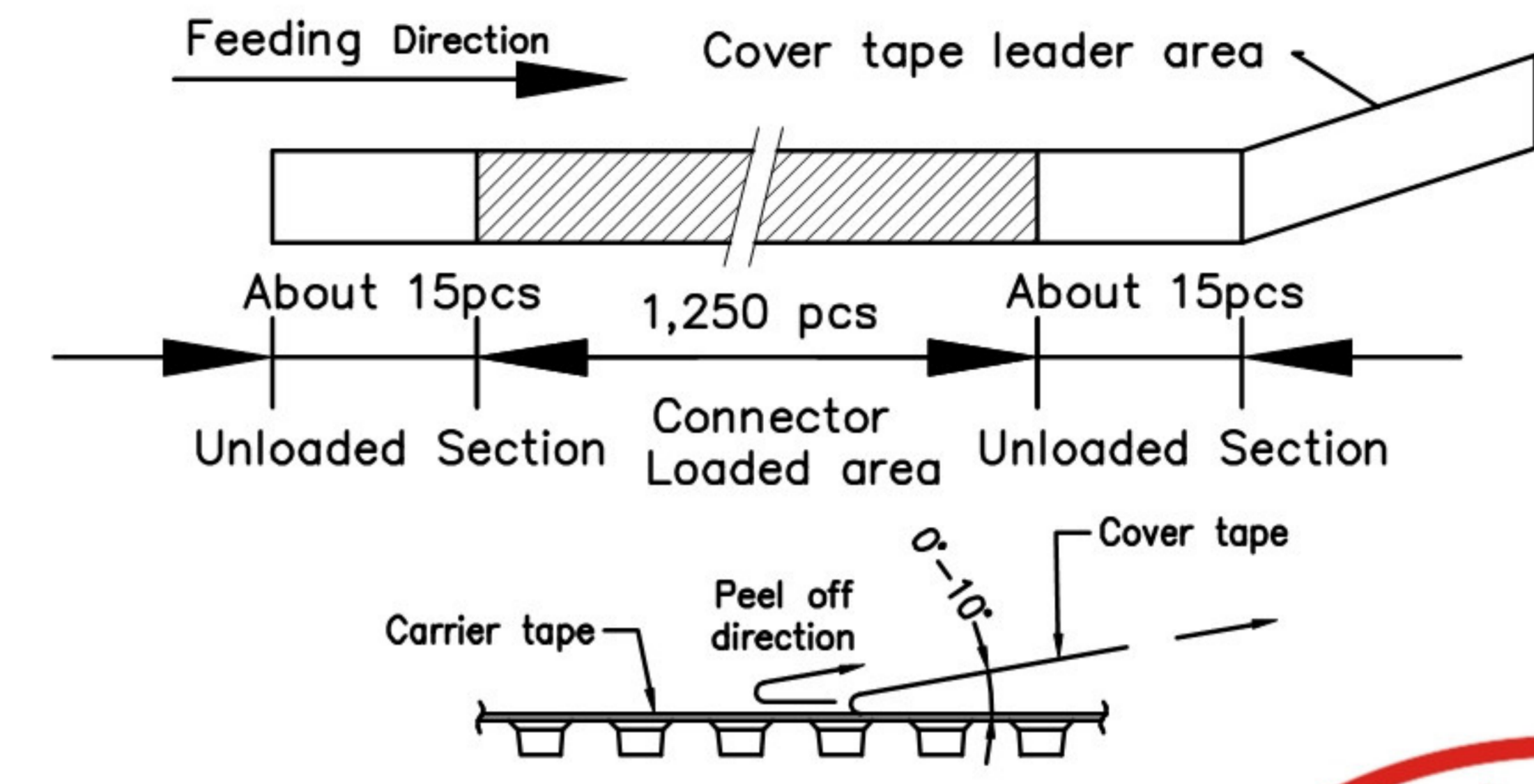


 THIRD ANGLE PROJECTION DESIGN UNITS Inch (metric) SCALE 5:1 SIZE A4	GENERAL TOLERANCES (UNLESS SPECIFIED) X.±.012(0.30) X.±5' X.X±.008(0.20) .X'±2' X.XX±.006(0.15) .XX'±1' X.XXX±.004(0.10) .XXX'±0.5'		APPROVE BY FRANK CHECKED BY CHERRY DRAWN BY KATE	DATE 11/JUL/19 DATE 11/JUL/19 DATE 11/JUL/19	PART NO. FCD715-7M TITLE Micro sim card connector(H=1.5mm)	ITEM NO. FCD715	 3K-KAMING REV 0 SHEET NO. 1/2 THIS DRAWING CONTAINS INFORMATION THAT IS PROPRIETARY TO DONG GUAN LANG LUN(3K-KAMING) ELECTRONIC PRODUCTS CO., LTD. AND SHOULD NOT BE USED WITHOUT WRITTEN PERMISSION



REV	LOCATIONS	DESCRIPTION	DATE	REVISER	APPD

- Note:
- 10 sprocket hole cumulative tolerance ± 0.2
 - Carrier camber is within 1.0mm in 100mm
 - Material: White Conductive polystyrene Alloy 100% recyclable
 - All dimensions meet EIA-481-3 requirements
 - Component load per 13" reel: 1,250 pcs



 THIRD ANGLE PROJECTION DESIGN UNITS Inch (metric) SCALE 5:1 SIZE A4	GENERAL TOLERANCES (UNLESS SPECIFIED)		APPROVE BY	DATE	PART NO.	ITEM NO.	 3K-KAMING REV 0 SHEET NO. 2/2
	X. \pm .012(0.30)	X. \pm 5'	FRANK	11/JUL/19	FCD715-7M	FCD715	
	X.X \pm .008(0.20)	.X' \pm 2'	CHECKED BY	DATE	TITLE		
	X.XX \pm .006(0.15)	.XX' \pm 1'	CHERRY	11/JUL/19	Micro sim card connector(H=1.5mm)		
	X.XXX \pm .004(0.10)	.XXX' \pm 0.5'	DRAWN BY	DATE	THIS DRAWING CONTAINS INFORMATION THAT IS PROPRIETARY TO DONG GUAN LANG LUN(3K-KAMING) ELECTRONIC PRODUCTS CO., LTD. AND SHOULD NOT BE USED WITHOUT WRITTEN PERMISSION		
			KATE	11/JUL/19			