

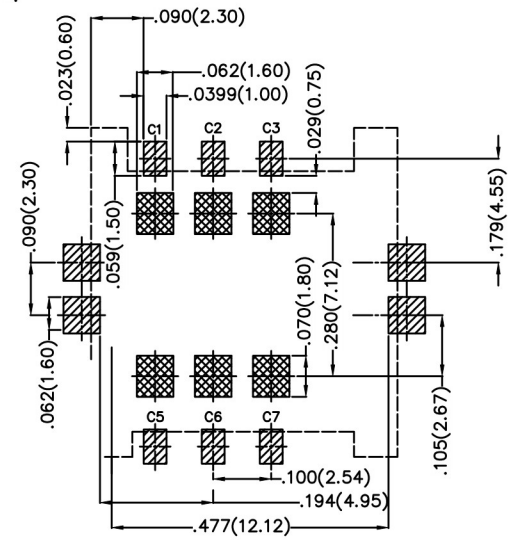
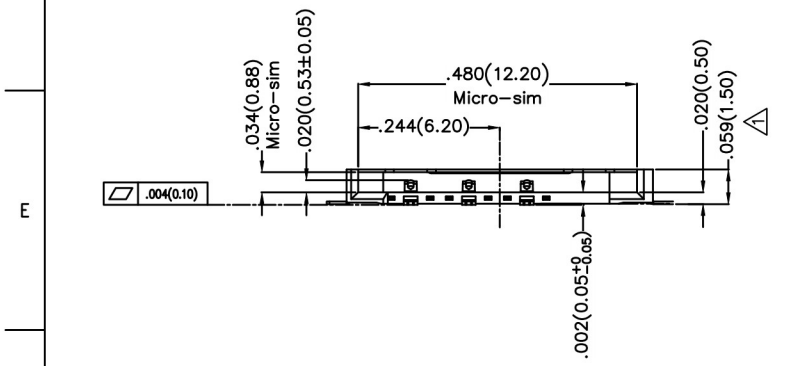
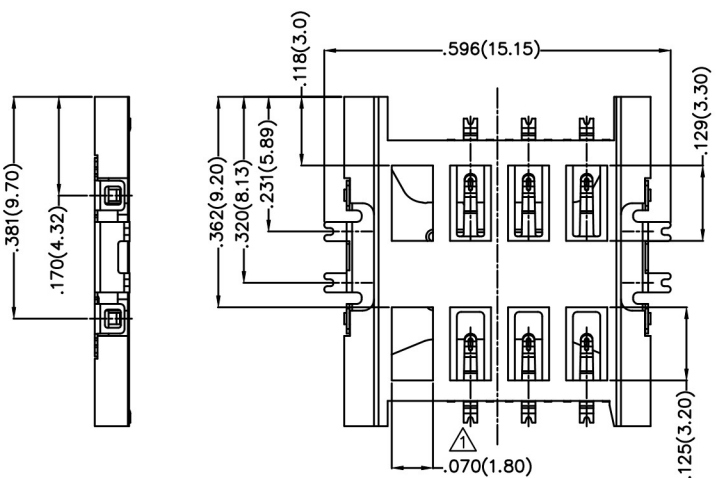
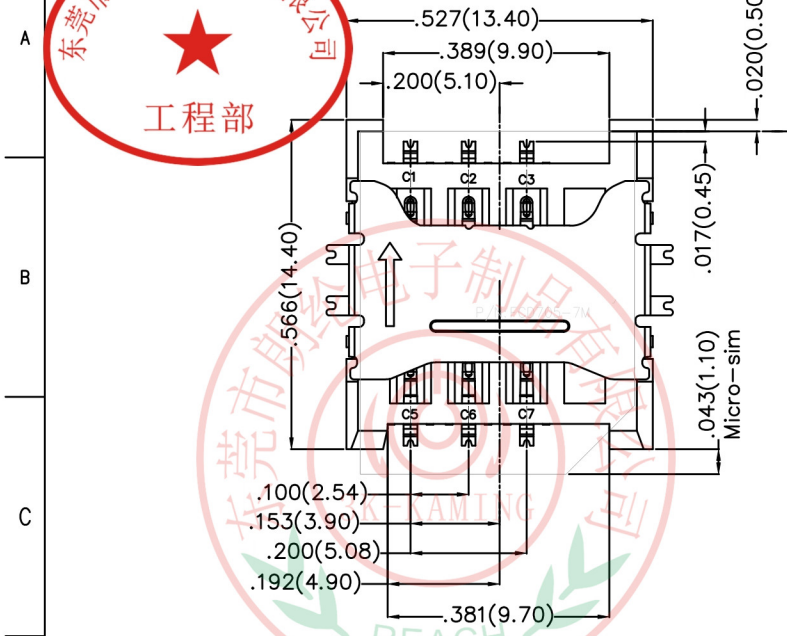


REV	LOCATIONS	DESCRIPTION	DATE	REVISER	APPD
1	▲	Size Change	20190304	Kate	Cherry

**SPECIFICATION**

**Electrical**  
 Current Rating: 1A AC(rms)/DC  
 Voltage Rating: 250V AC(rms)/DC  
 Contact Resistance: 30 mΩ Max  
 Insulation Resistance : 100MΩ Min  
 Withstanding Voltage: 500V AC r,m,s  
 Temperature Range-Operating: -25°C+85°C

**Material and Plating**  
 Housing: Thermoplastic UL94C-0 Black  
 Contact: Stainless Steel  
 Shell: SPCC/Nickel Plated  
 Durability: 1000 Times



PCB PAD KEEP OUT AREA  
**RECOMMENDED PCB LAYOUT**  
 TOLERANCE: ±.002(±0.05)



 THIRD ANGLE PROJECTION	GENERAL TOLERANCES (UNLESS SPECIFIED)		APPROVE BY FRANK	DATE 24/JUN/19	PART NO. FCD705-7M	ITEM NO. FCD705	 3K-KAMING
	DESIGN UNITS Inch (metric)	X.X±.012(0.30)	X.±5'	CHECKED BY CHERRY	DATE 27/JUN/19	TITLE SIM Card connector(H:1.5mm)	
SCALE 5:1	SIZE A4	X.XX±.006(0.15)	.XX'±1'	DRAWN BY KATE	DATE 27/JUN/19	THIS DRAWING CONTAINS INFORMATION THAT IS PROPRIETARY TO DONG GUAN LANG LUN(3K-KAMING) ELECTRONIC PRODUCTS CO.,LTD. AND SHOULD NOT BE USED WITHOUT WRITTEN PERMISSION	
		X.XXX±.004(0.10)	.XXX±0.5'			REV 0	SHEET NO. 1/1