

REV	LOCATIONS	DESCRIPTION	DATE	REVISER	APPD

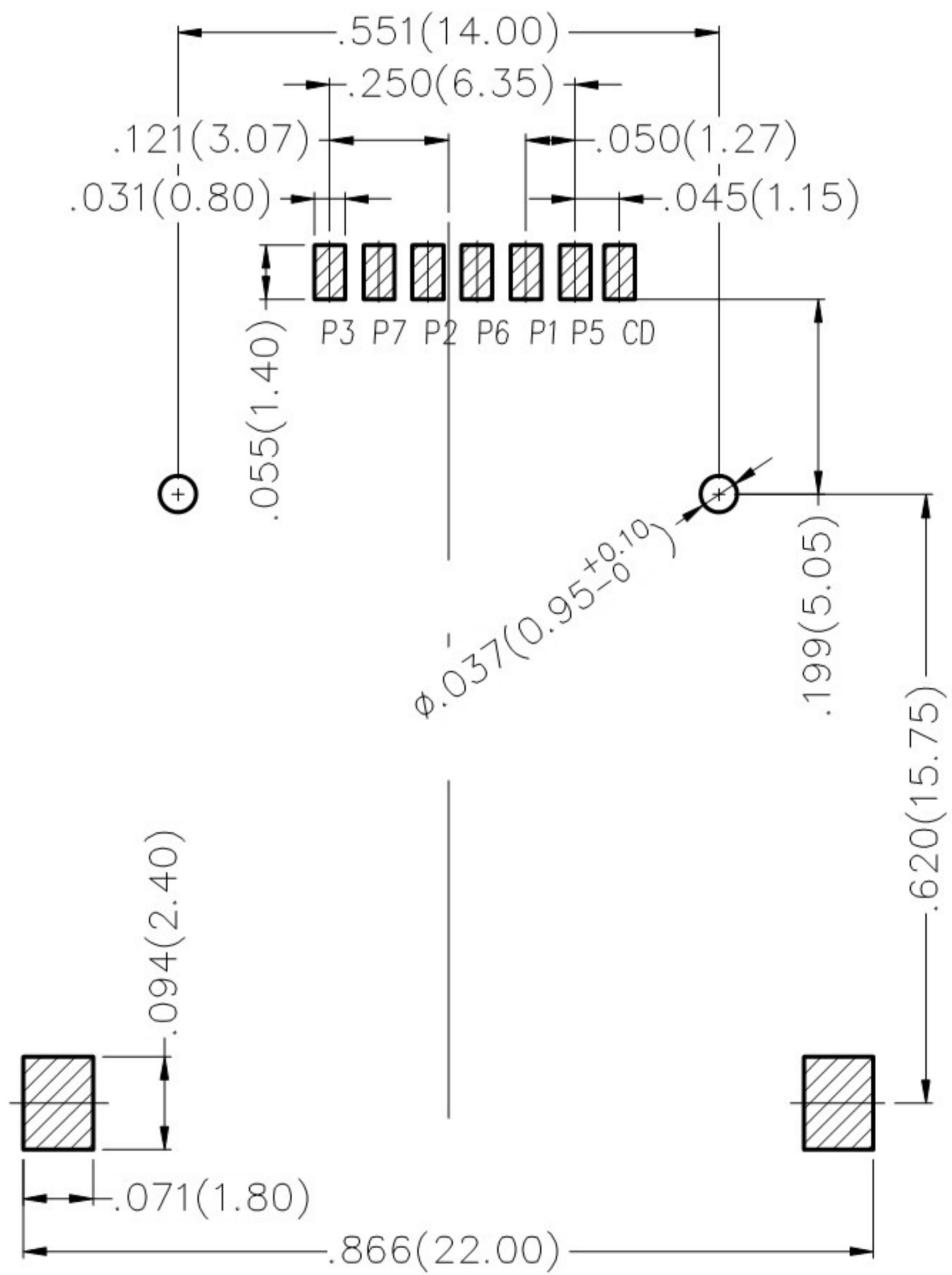


SPECIFICATIONS

Electrical
 Current Rating: 0.5A AC(rms)/DC
 Voltage Rating: 100V AC(rms)/DC
 Contact Resistance: 100 mΩ Max
 Insulation Resistance: 1000 MΩ Min/DC 250V
 Withstanding Voltage: 500V AC r.m.s
 Temperature Range-Operating: -25°C~+85°C

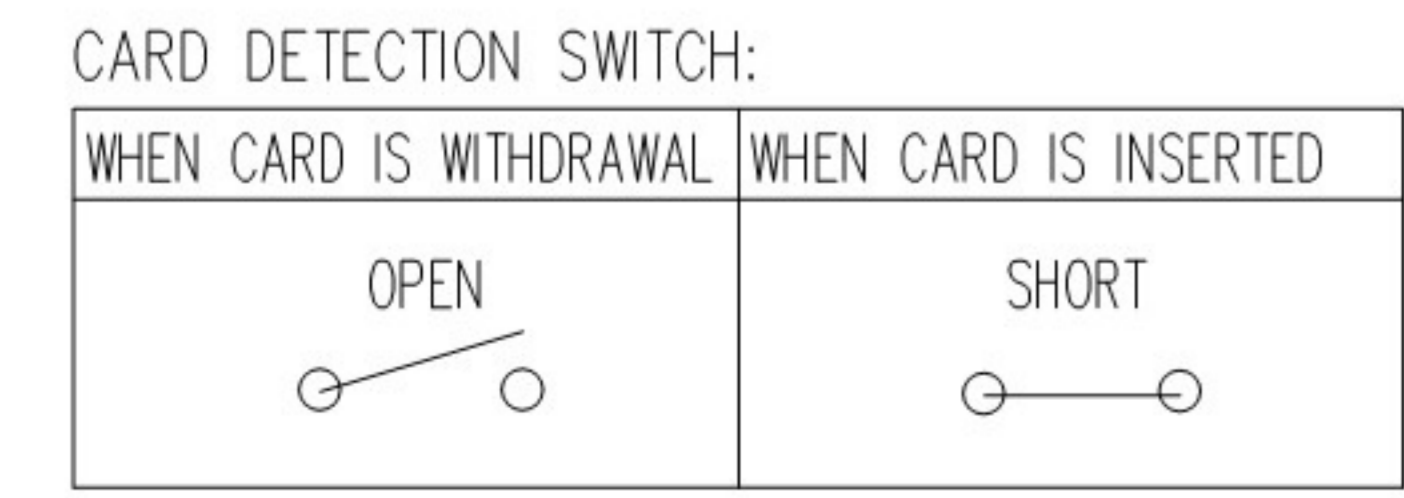
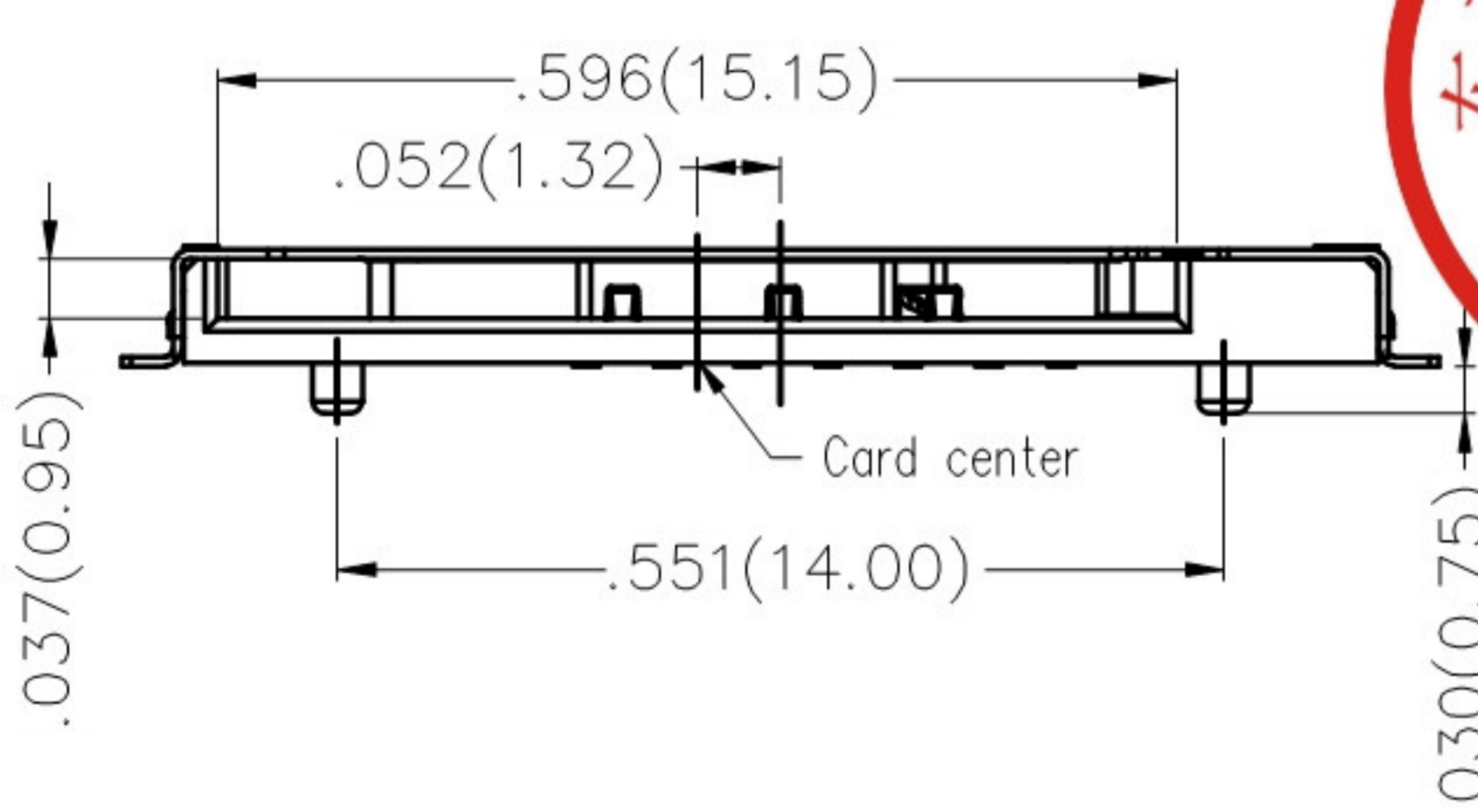
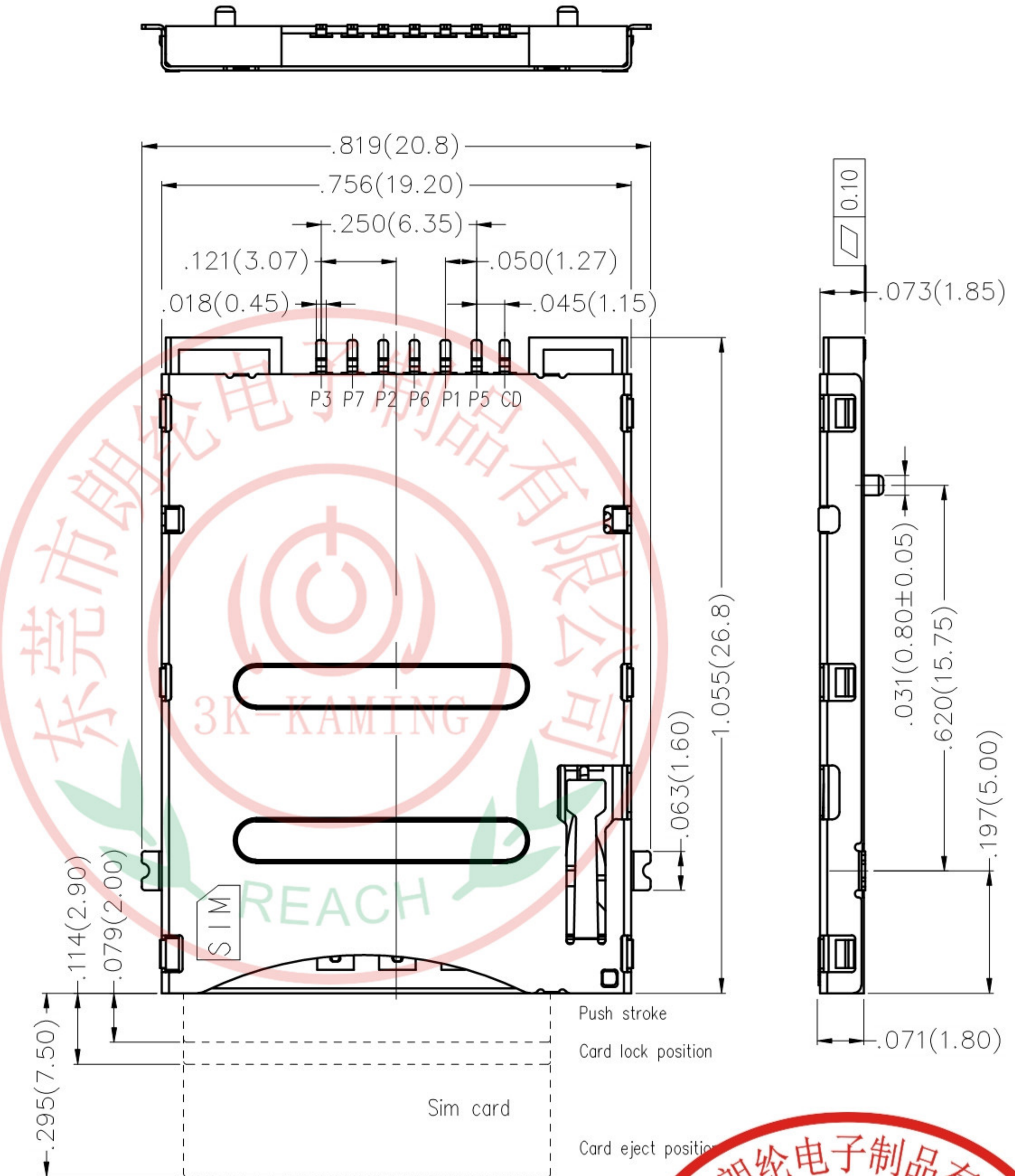
Material
 Housing: LCP (UL 94V-0) Black
 Contact: Copper alloy
 Shell: Stainless steel

Plating
 Contact: 1μ" gold in contact area, tin in solder area, Nickel plated overall
 Shell: 1μ" gold in solder area, Nickel plated overall

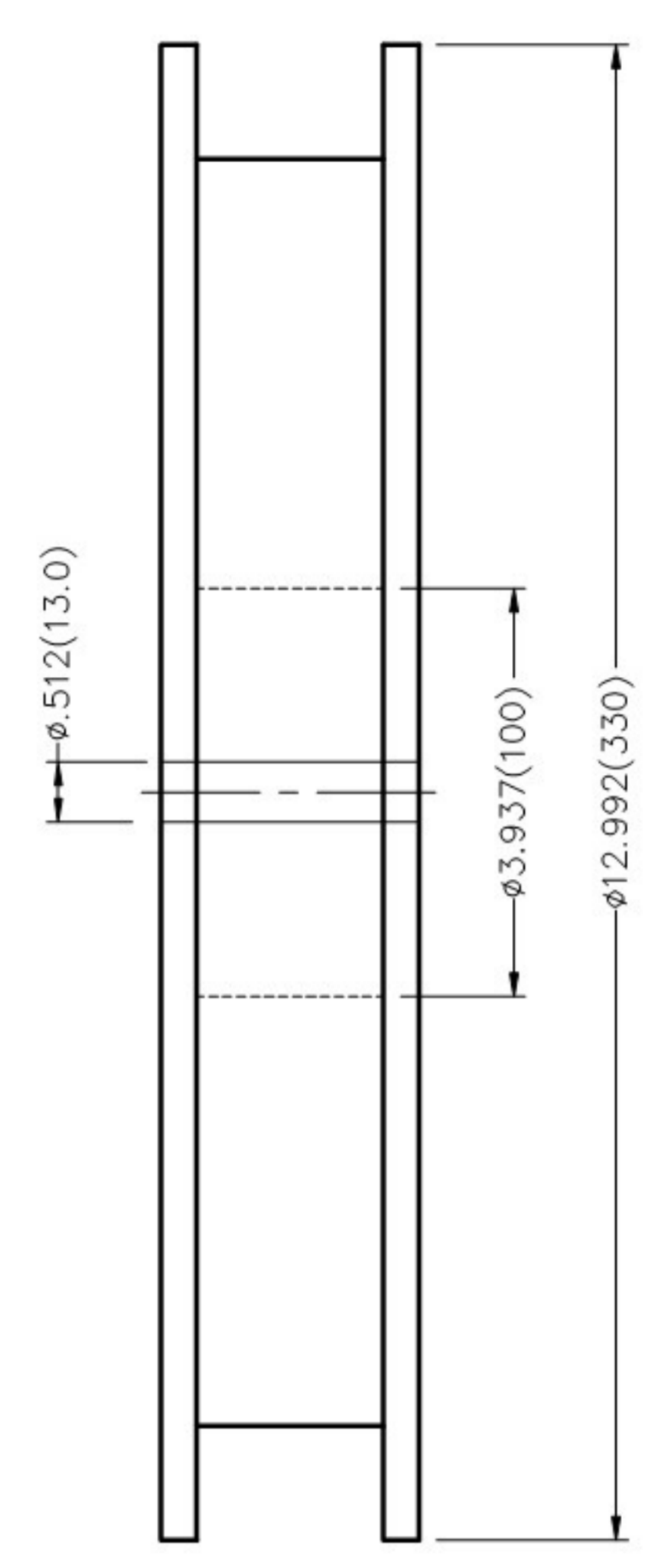
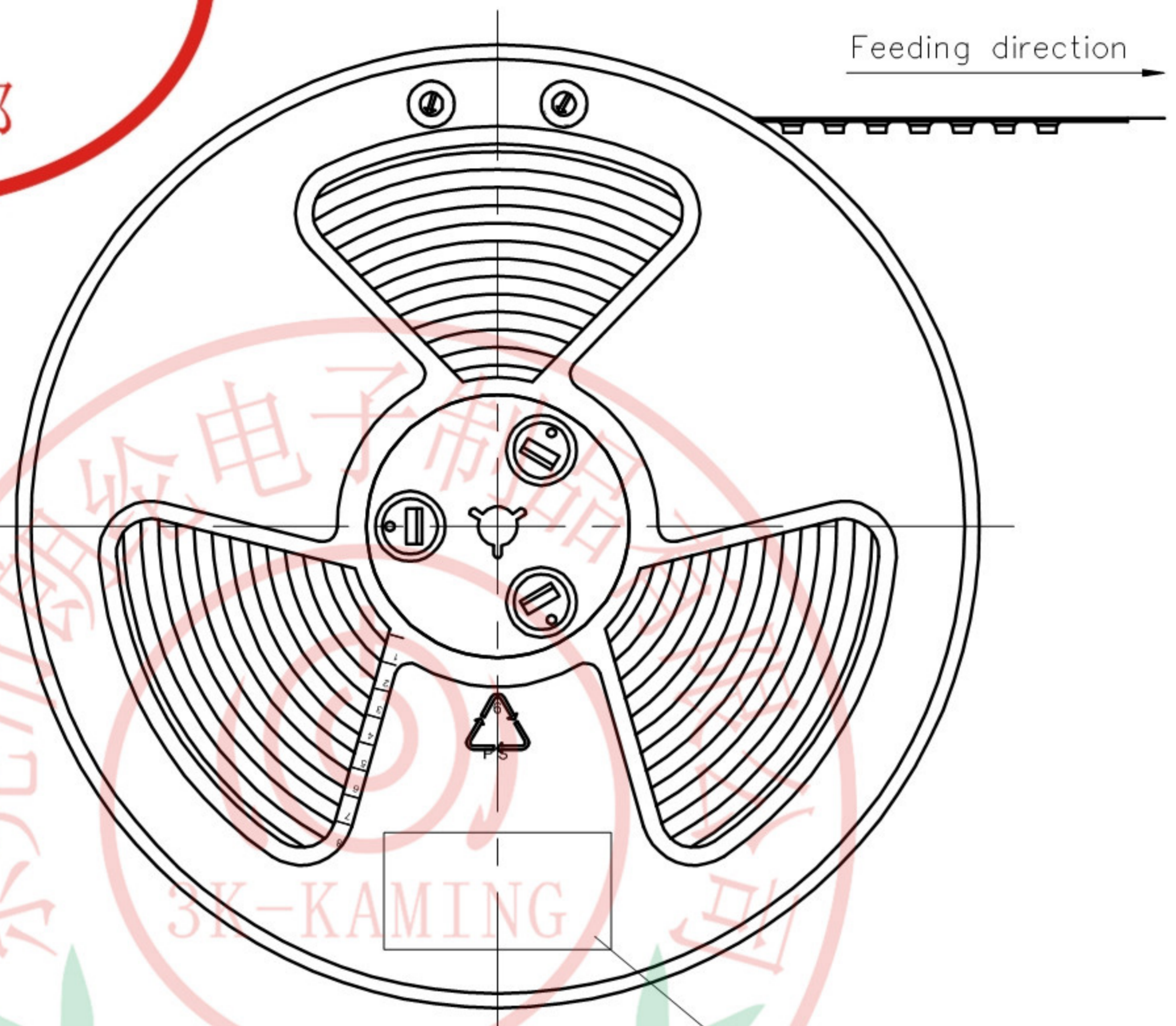


Recommended P.C.Board Layout
 General tolerances: ±.002(0.05)

Circuits	Description
PIN 1	VCC : PWR SIGNAL AND GND
PIN 2	RST : RESET SIGNAL
PIN 3	CLK : CLOCKING SIGNAL
PIN 5	GND : PWR SIGNAL AND GND
PIN 6	VPP : PROGRAMMING VOLTAGE
PIN 7	I/O : SERIAL DATA INPUT/OUTPUT

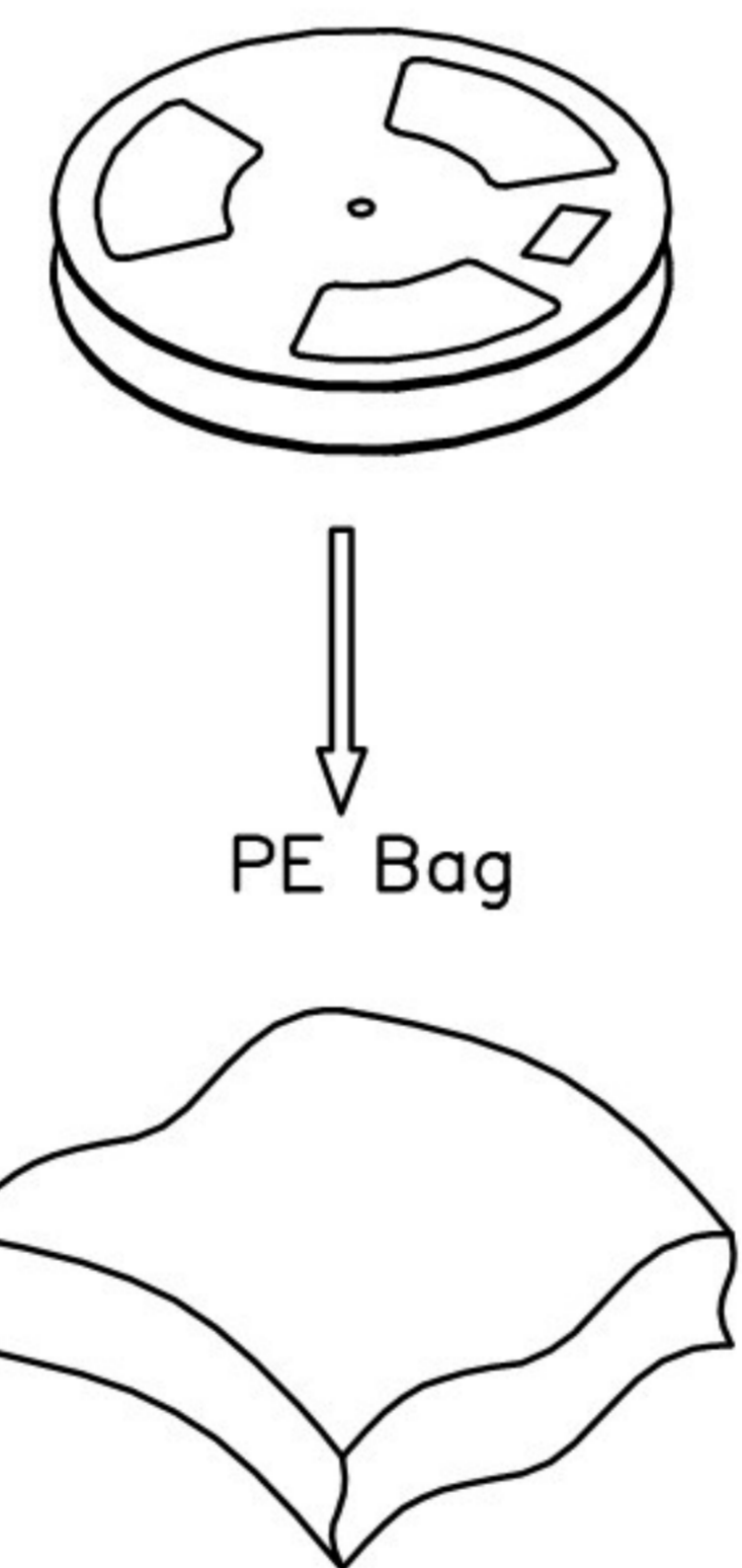
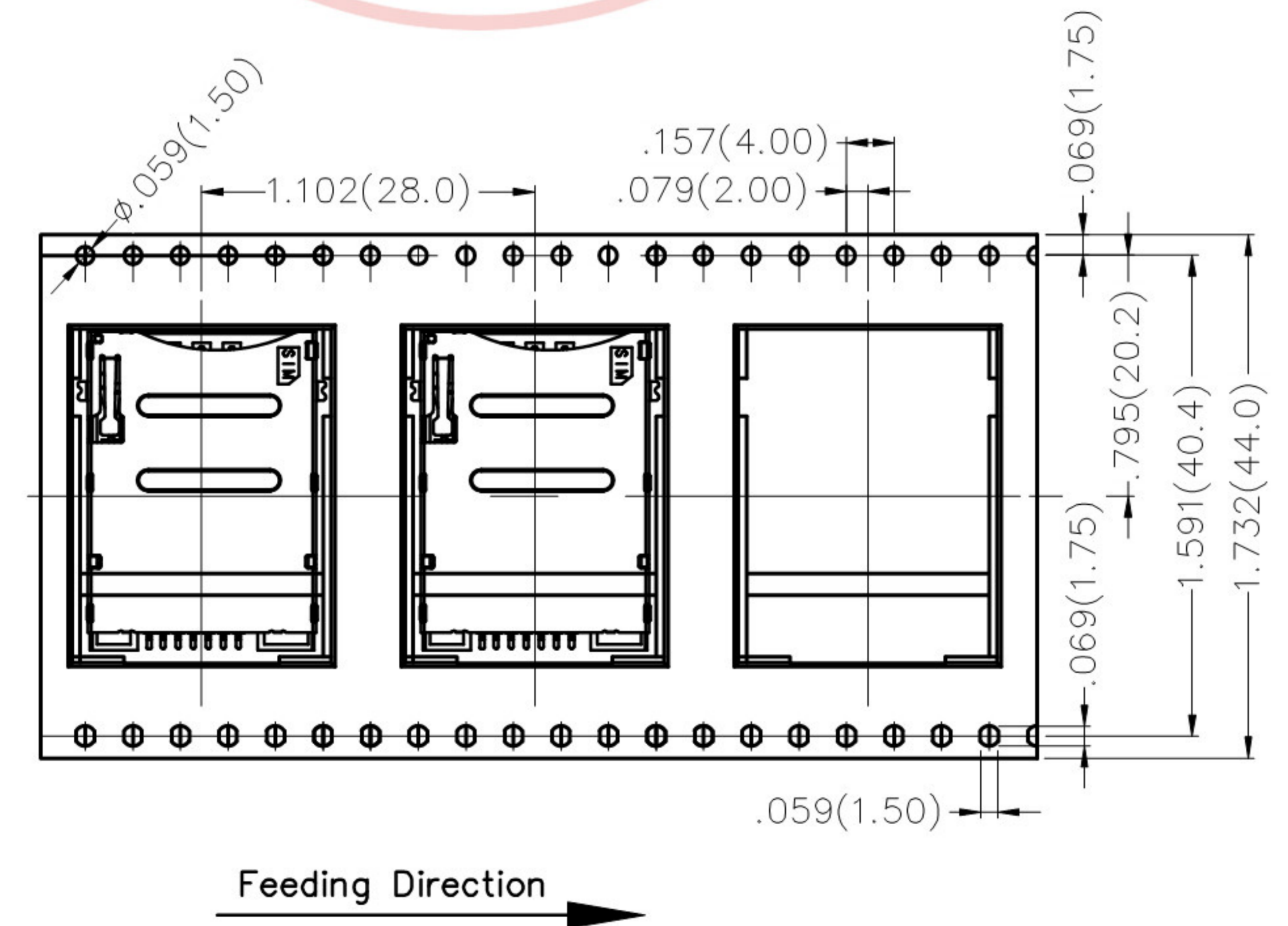
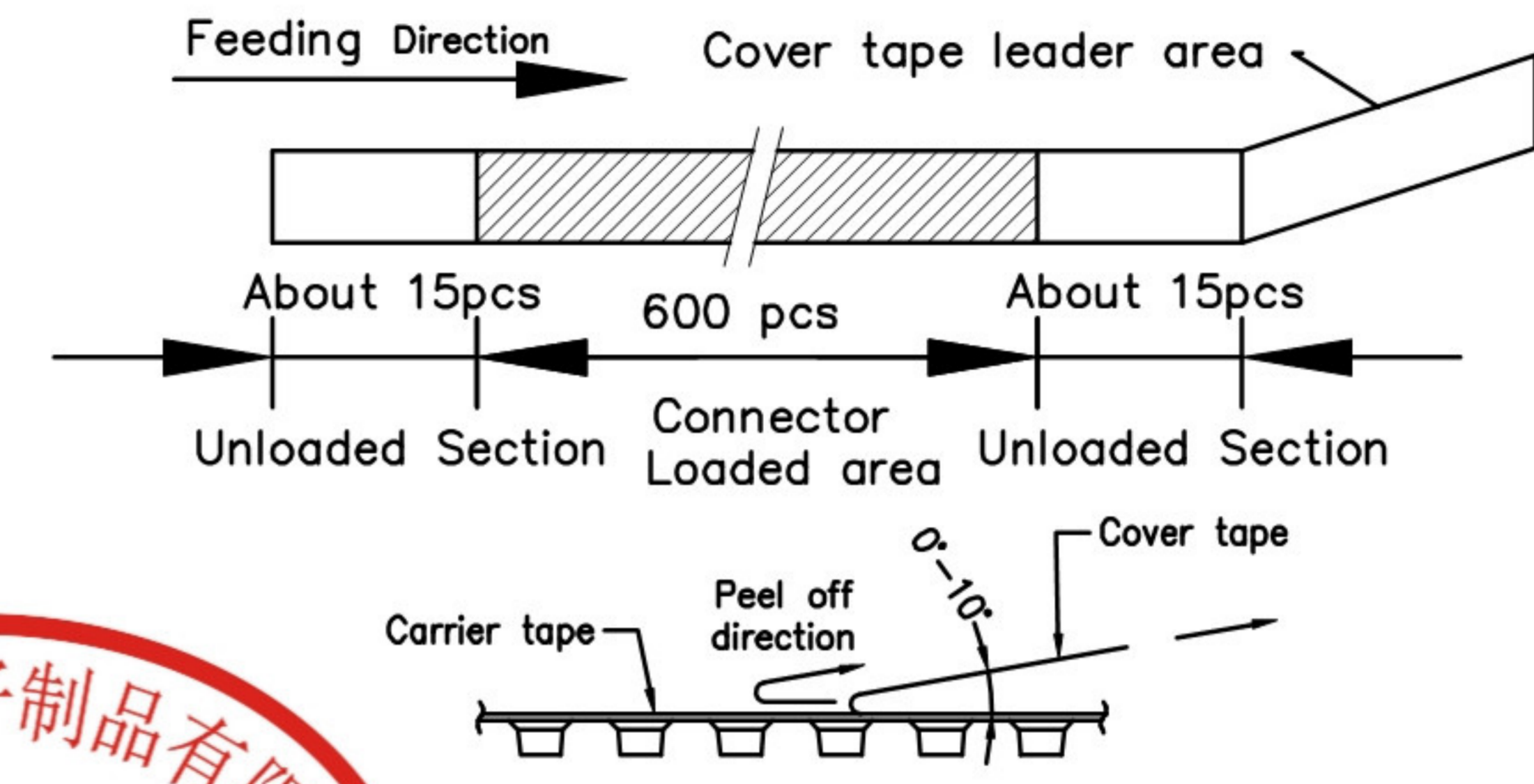


 THIRD ANGLE PROJECTION DESIGN UNITS Inch (metric) SCALE 5:1 SIZE A4	GENERAL TOLERANCES (UNLESS SPECIFIED) X.±.012(0.30) X.±5' X.X±.008(0.20) .X'±2' X.XX±.006(0.15) .XX'±1' X.XXX±.004(0.10) .XXX'±0.5'		APPROVE BY FRANK CHECKED BY CHERRY DRAWN BY KATE	DATE 12/JUL/19 DATE 12/JUL/19 DATE 12/JUL/19	PART NO. FCD530-7M TITLE SIM card connector (H=1.85mm)	ITEM NO. FCD530	 3K-KAMING REV 0 SHEET NO. 1/2	
	THIS DRAWING CONTAINS INFORMATION THAT IS PROPRIETARY TO DONG GUAN LANG LUN(3K-KAMING) ELECTRONIC PRODUCTS CO.,LTD. AND SHOULD NOT BE USED WITHOUT WRITTEN PERMISSION							

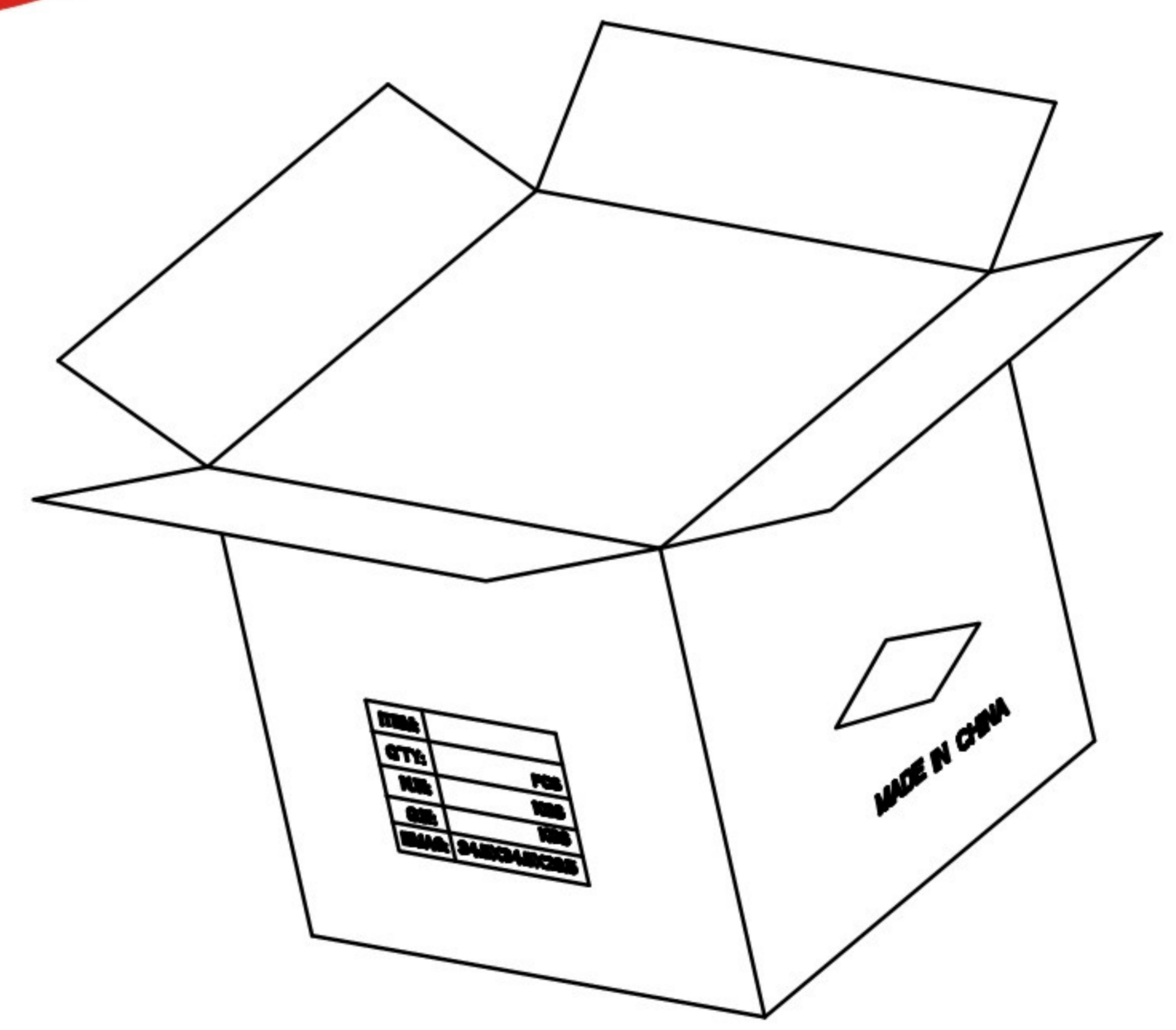


REV	LOCATIONS	DESCRIPTION	DATE	REVISER	APPD

- Note:
- 10 sprocket hole cumulative tolerance ± 0.2
 - Carrier camber is within 1.0mm in 100mm
 - Material: White Conductive polystyrene Alloy 100% recyclable
 - All dimensions meet EIA-481-3 requirements
 - Component load per 13" reel: 600 pcs



600 pcs/Reel



 THIRD ANGLE PROJECTION DESIGN UNITS Inch (metric) SCALE 5:1 SIZE A4	GENERAL TOLERANCES (UNLESS SPECIFIED)		APPROVE BY FRANK	DATE 12/JUL/19	PART NO. FCD530-7M	ITEM NO. FCD530	 3K-KAMING
	X. \pm .012(0.30)	X. \pm 5'	CHECKED BY CHERRY	DATE 12/JUL/19	TITLE SIM card connector (H=1.85mm)		
	X.XX \pm .008(0.20)	.X' \pm 2'	DRAWN BY KATE	DATE 12/JUL/19	THIS DRAWING CONTAINS INFORMATION THAT IS PROPRIETARY TO DONG GUAN LANG LUN(3K-KAMING) ELECTRONIC PRODUCTS CO., LTD. AND SHOULD NOT BE USED WITHOUT WRITTEN PERMISSION		SHEET NO. 2/2
	X.XX \pm .006(0.15)	.XX' \pm 1'					
	X.XXX \pm .004(0.10)	.XXX' \pm 0.5'					