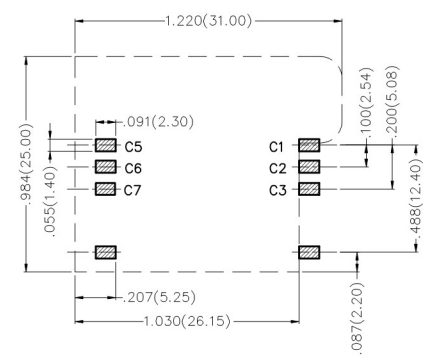
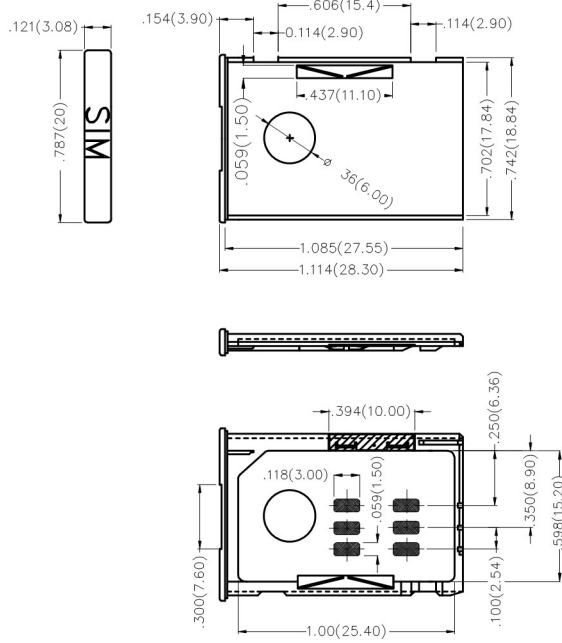
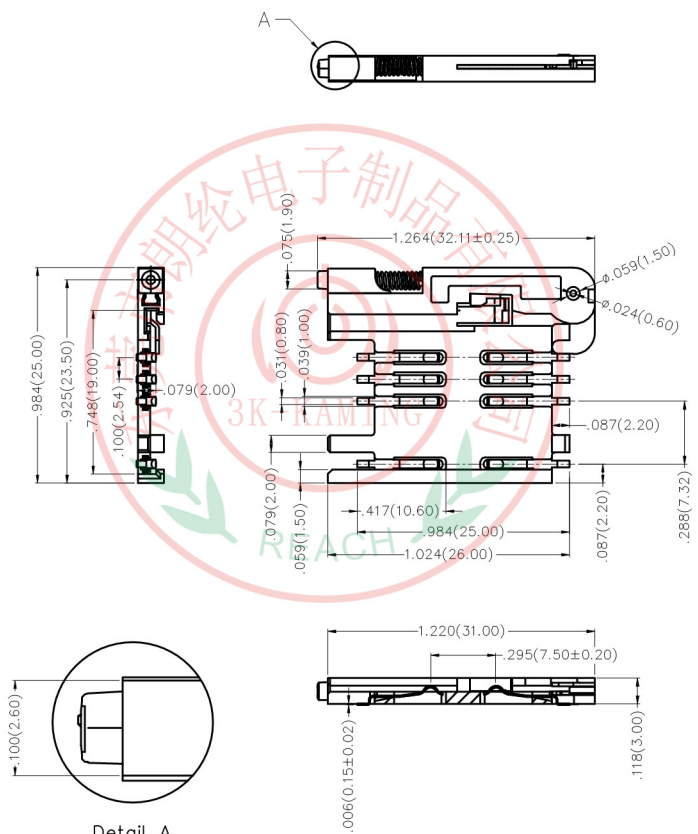


REV	LOCATIONS	DESCRIPTION	DATE	REVISER	APPD



Electrical
 Current Rating: 0.5A AC(rms)/DC
 Voltage Rating: 50V AC(rms)/DC
 Contact Resistance: 40 mΩ Max
 Insulation Resistance: 1000 MΩ MIN
 Withstanding Voltage: 500V AC r.m.s
 Temperature Range—Operating: -40°C ~ +85°C

Material and Plating
 Housing: High Temperature Plastic(UL 94V-0)
 Contact Pin: Phosphor Bronze
 Plating: Gold Plated/Tin Plated
 Durability: 5,000 Times



Recommended P.C.Board Layout

Detail A
4:1

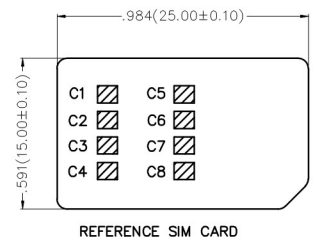


Ordering Information

FCD	5	15	-	7	X
1	2	3	4	5	

1	Category FCD-Card	2	Series Number 5-SIM Card	3	Distinction No. 15	4	Type 7-Outside Welding	5	Packaging M-Reel L Tube
---	----------------------	---	-----------------------------	---	-----------------------	---	---------------------------	---	-------------------------------

PIN NO.	PIN NAME
C1	Supply Voltage Vcc
C2	Rest(RST)
C3	Clock (CLK)
C4	N/A
C5	Ground(GND)
C6	Programming Voltage Vpp
C7	I/O
C8	N/A



 THIRD ANGLE PROJECTION DESIGN UNITS Inch (metric) SCALE 5:1 SIZE A4	GENERAL TOLERANCES (UNLESS SPECIFIED)		APPROVE BY FRANK	DATE 28/JUN/13	PART NO. FCD515-7X	ITEM NO. FCD515	 3K-KAMING	
	X.±.012(0.30)	X.±5'	CHECKED BY JACOB	DATE 28/JUN/13	TITLE SIM card connector(H:3mm)			REV 0
	X.X±.008(0.20)	.X'±2'	DRAWN BY CHERRY	DATE 28/JUN/13	THIS DRAWING CONTAINS INFORMATION THAT IS PROPRIETARY TO DONG GUAN LANG LUN(3K-KAMING) ELECTRONIC PRODUCTS CO.,LTD. AND SHOULD NOT BE USED WITHOUT WRITTEN PERMISSION			
	X.XX±.006(0.15)	.XX'±1'						
	X.XXX±.004(0.10)	.XXX'±0.5'						