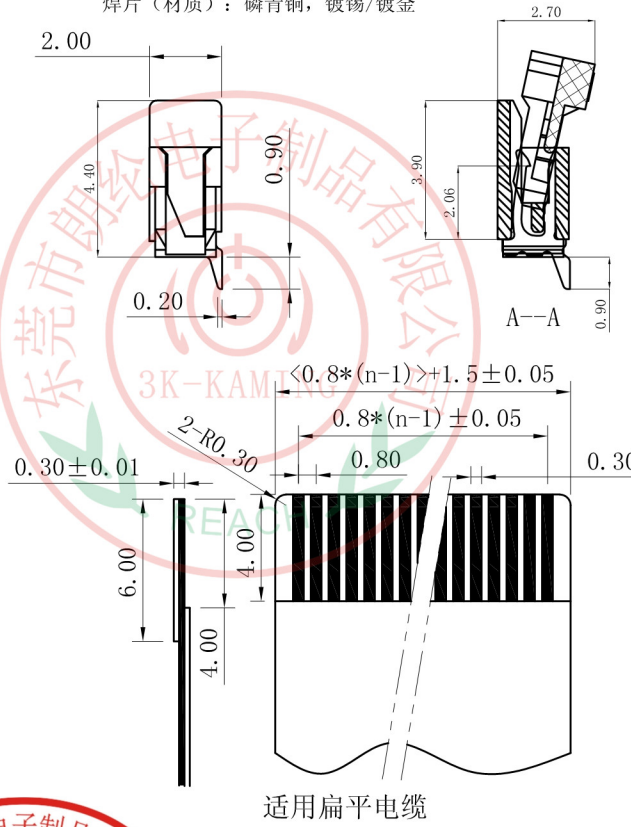
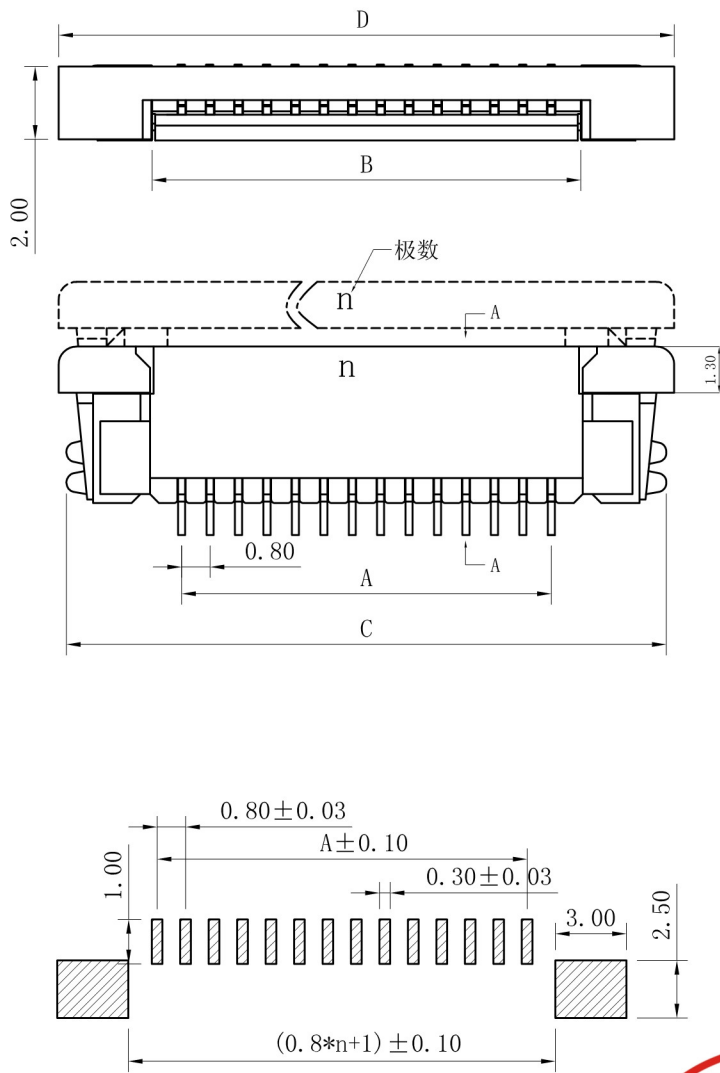


PITCH 0.8mm FPC CONNECTOR SMT TYPE



性能:
 额定电流: 0.4A
 额定电压: 50V
 耐电压: 200V
 接触电阻: $\leq 20m\Omega$
 绝缘电阻: 500M Ω
 工作温度: -20°C~+85°C

塑件 (材质): LCP, UL94V-0
 锁扣 (材质): LCP, UL94V-0
 插簧 (材质): 磷青铜, 镀锡/镀金
 焊片 (材质): 磷青铜, 镀锡/镀金



| 孔位 | A | B | C | D |
|----|------|------|------|------|
| 4 | 2.4 | 4 | 9.6 | 10.3 |
| 5 | 3.2 | 4.8 | 10.4 | 11.1 |
| 6 | 4 | 5.6 | 11.2 | 11.9 |
| 7 | 4.8 | 6.4 | 12 | 12.7 |
| 8 | 5.6 | 7.2 | 12.8 | 13.5 |
| 9 | 6.4 | 8 | 13.6 | 14.3 |
| 10 | 7.2 | 8.8 | 14.4 | 15.1 |
| 11 | 8 | 9.6 | 15.2 | 15.9 |
| 12 | 8.8 | 10.4 | 16 | 16.7 |
| 13 | 9.6 | 11.2 | 16.8 | 17.5 |
| 14 | 10.4 | 12 | 17.6 | 18.3 |
| 15 | 11.2 | 12.8 | 18.4 | 19.1 |
| 16 | 12 | 13.6 | 19.2 | 19.9 |
| 17 | 12.8 | 14.4 | 20 | 20.7 |
| 18 | 13.6 | 15.2 | 20.8 | 21.5 |
| 19 | 14.4 | 16 | 21.6 | 22.3 |
| 20 | 15.2 | 16.8 | 22.4 | 23.1 |
| 21 | 16 | 17.6 | 23.2 | 23.9 |
| 22 | 16.8 | 18.4 | 24 | 24.7 |
| 23 | 17.6 | 19.2 | 24.8 | 25.5 |
| 24 | 18.4 | 20 | 25.6 | 26.3 |
| 25 | 19.2 | 20.8 | 26.4 | 27.1 |
| 26 | 20 | 21.6 | 27.2 | 27.9 |
| 27 | 20.8 | 22.4 | 28 | 28.7 |
| 28 | 21.6 | 23.2 | 28.8 | 29.5 |
| 29 | 22.4 | 24 | 29.6 | 30.3 |
| 30 | 23.2 | 24.8 | 30.4 | 31.1 |
| 31 | 24 | 25.6 | 31.2 | 31.9 |
| 32 | 24.8 | 26.4 | 32 | 32.7 |
| 33 | 25.6 | 27.2 | 32.8 | 33.5 |
| 34 | 26.4 | 28 | 33.6 | 34.3 |
| 35 | 27.2 | 28.8 | 34.4 | 35.1 |



| | | | | |
|--|-----------------------|----------|----------------------------|--|
| X. ± 0.3 | X° $\pm 5^\circ$ | UNITS mm | NAME (INTENDED USE) | 东莞市朗纶电子制品有限公司 Dongguan langlun electronic products Co., Ltd |
| .X ± 0.25 | .X° $\pm 2^\circ$ | MAT'L | 0.8mm FPC (B型) 半包上接(H=2.0) | |
| .XX ± 0.20 | .XX° $\pm 1^\circ$ | FINISH | PART NO. (INTENDED USE) | TITLE: |
| .XXX ± 0.10 | .XXX° $\pm 0.5^\circ$ | | 0.8K-BS-nPWB(H=2.0) | 0.8mm FPC (B型) 半包上接(H=2.0) |
| THESE DRAWINGS AND SPECIFICATIONS ARE THE PROPERTY OF ACCURATE 3K-KAMING(LANG LUN) INC. AND SHALL NOT BE REPRODUCED, COPIED OR USED IN ANY MANNER WITHOUT THE PRIOR WRITTEN CONSENT OF ACCURATE 3K-KAMING(LANG LUN) INC. | | | APPD: | DWG NO.: |
| | | | CHKD: | 0.8K-BS-nPWB |
| | | | DR: YLZ 2011.09.28 | SCALE SHEET REV. |
| | | | | 1/1 1/1 A |