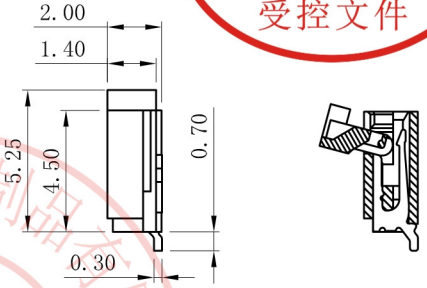
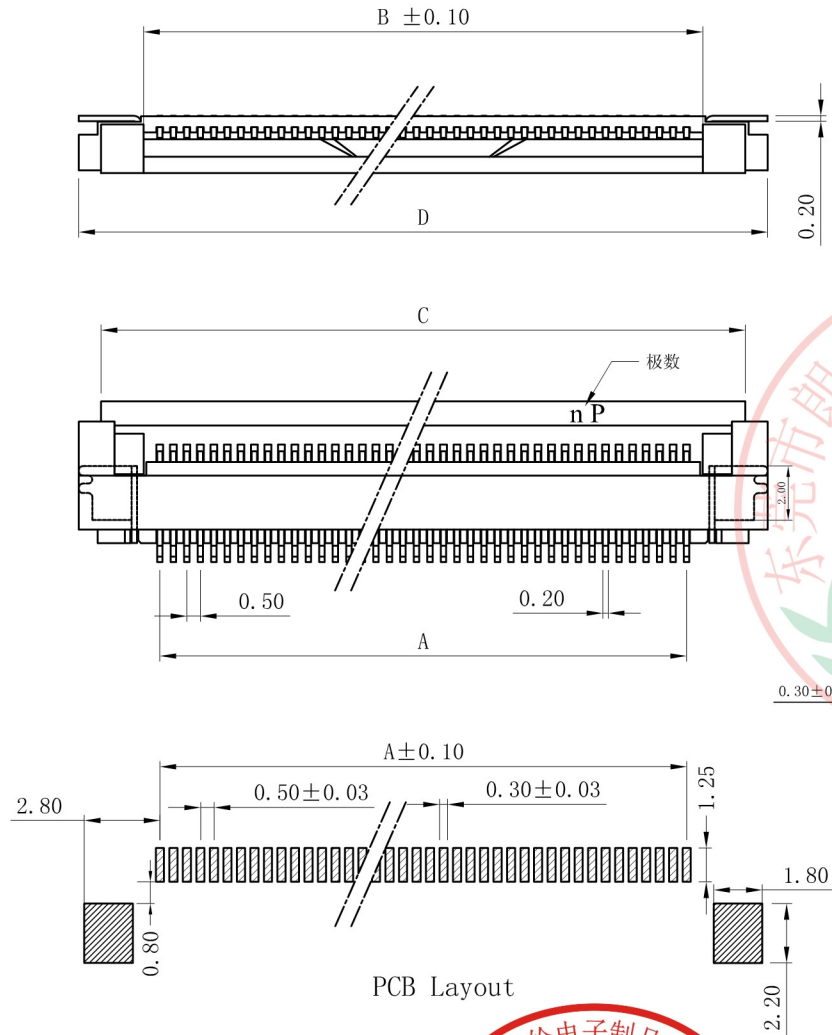


PITCH 0.5mm FPC CONNECTOR SMT TYPE



性能:
 额定电流: 0.4A
 额定电压: 50V
 耐电压: 200V
 接触电阻: $\leq 20m\Omega$
 绝缘电阻: 500M Ω
 工作温度: -20°C ~ +85°C

塑件 (材质): LCP本色, UL94V-0
 锁扣 (材质): LCP黑色, UL94V-0
 插簧 (材质): 磷青铜, 镀锡/镀金
 焊片 (材质): 黄铜, 镀锡/镀金

适用扁平电缆

PCB Layout



孔位	A	B	C	D
4	1.50	2.60	6.00	7.40
5	2.00	3.10	6.50	7.90
6	2.50	3.60	7.00	8.40
7	3.00	4.10	7.50	8.90
8	3.50	4.60	8.00	9.40
9	4.00	5.10	8.50	9.90
10	4.50	5.60	9.00	10.40
11	5.00	6.10	9.50	10.90
12	5.50	6.60	10.00	11.40
13	6.00	7.10	10.50	11.90
14	6.50	7.60	11.00	12.40
15	7.00	8.10	11.50	12.90
16	7.50	8.60	12.00	13.40
17	8.00	9.10	12.50	13.90
18	8.50	9.60	13.00	14.40
19	9.00	10.10	13.50	14.90
20	9.50	10.60	14.00	15.40
21	10.00	11.10	14.50	15.90
22	10.50	11.60	15.00	16.40
23	11.00	12.10	15.50	16.90
24	11.50	12.60	16.00	17.40
25	12.00	13.10	16.50	17.90
26	12.50	13.60	17.00	18.40
27	13.00	14.10	17.50	18.90
28	13.50	14.60	18.00	19.40
29	14.00	15.10	18.50	19.90
30	14.50	15.60	19.00	20.40
31	15.00	16.10	19.50	20.90
32	15.50	16.60	20.00	21.40
33	16.00	17.10	20.50	21.90
34	16.50	17.60	21.00	22.40
35	17.00	18.10	21.50	22.90
36	17.50	18.60	22.00	23.40
37	18.00	19.10	22.50	23.90
38	18.50	19.60	23.00	24.40
39	19.00	20.10	23.50	24.90
40	19.50	20.60	24.00	25.40
41	20.00	21.10	24.50	25.90
42	20.50	21.60	25.00	26.40
43	21.00	22.10	25.50	26.90
44	21.50	22.60	26.00	27.40
45	22.00	23.10	26.50	27.90
46	22.50	23.60	27.00	28.40
47	23.00	24.10	27.50	28.90
48	23.50	24.60	28.00	29.40
49	24.00	25.10	28.50	29.90
50	24.50	25.60	29.00	30.40
51	25.00	26.10	29.50	30.90
52	25.50	26.60	30.00	31.40
53	26.00	27.10	30.50	31.90
54	26.50	27.60	31.00	32.40
55	27.00	28.10	31.50	32.90
56	27.50	28.60	32.00	33.40
57	28.00	29.10	32.50	33.90
58	28.50	29.60	33.00	34.40
59	29.00	30.10	33.50	34.90
60	29.50	30.60	34.00	35.40

X. ± 0.3	X°. $\pm 5^\circ$	UNITS mm	NAME (INTENDED USE)	东莞市朗纶电子制品有限公司 Dongguan langlun electronic products Co., Ltd			
.X ± 0.25	.X° $\pm 2^\circ$	MAT'L	0.5mm FPC 掀盖式(D 型)下接				
.XX ± 0.20	.XX° $\pm 1^\circ$	FINISH	PART NO. (INTENDED USE)	TITLE:			
.XXX ± 0.10	.XXX° $\pm 0.5^\circ$		0.5K-DX-nPWB	0.5mm FPC 掀盖式(D 型)下接			
THESE DRAWINGS AND SPECIFICATIONS ARE THE PROPERTY OF ACCURATE 3K-KAMING (LANG LUN) INC. AND SHALL NOT BE REPRODUCED, COPIED OR USED IN ANY MANNER WITHOUT THE PRIOR WRITTEN CONSENT OF ACCURATE 3K-KAMING (LANG LUN) INC.			APPD:	DWG NO.:			
			Q'TY	CHKD:	050K12-CUB0000000		
			DR:	YLZ 2011.09.28	SCALE	SHEET	REV.
					1/1	1/1	A