

NOTE:

- MATERIAL:  
HOUSING: LCP,UL 94V-0,COLOR:NATURE;  
COVER: LCP,UL 94V-0,COLOR:BLACK;  
CONTACT: P/B C5210,T=0.15;  
PEG: BRASS C2680,T=0.20;
- PLATING:  
CONTACT: (SEE P/N. INFORMATION) GOLD OR TIN UNDER PLATED NICKEL OVERALL.  
PEG: TIN UNDER PLATED NICKEL OVERALL.
- DIM. MARKED  $\nabla$  SHOULD BE MEASURED BY FAI;
- DIM. MARKED  $\nabla$  SHOULD BE CONTROLLED BY QC;
- DIM. MARKED  $\nabla$  SHOULD BE ANALYSED TERMPLY BY QC; CPK=1.0
- DIMENSION A/B/C SEE TABLE 1;

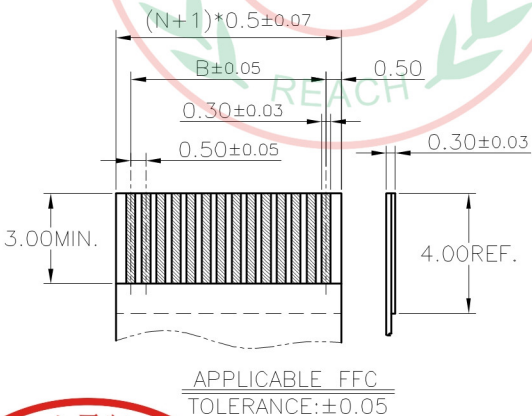
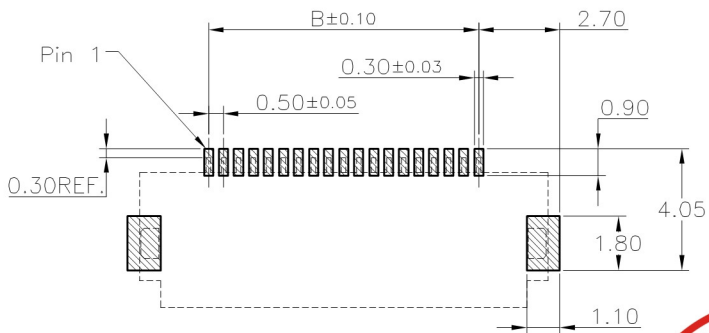


TABLE 1:

PIN NO.(N)	DIM. A	DIM. B	DIM. C
26~60	(N-1)*0.50+4.60	(N-1)*0.50	(N-1)*0.50+1.07

RECOMMEND PCB LAYOUT  
TOLERANCE: ±0.05



UNITS mm	东莞市朗纶电子制品有限公司 Dongguan langlun electronic products Co., Ltd		
MAT'L	PART NO.(INTENDED USE) 0515-**-CL-SN	TITLE: 0.5翻盖H1.5	
FINISH	APPD:	DWG NO.: 0515-**-CL-SN	
Q'TY PCS	CHKD: DR: HU 2016.09.28	SCALE 1/1	SHEET 1/1
		REV. A	