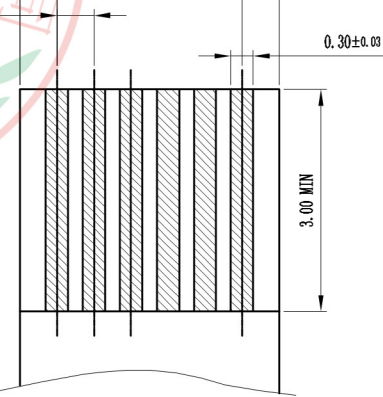
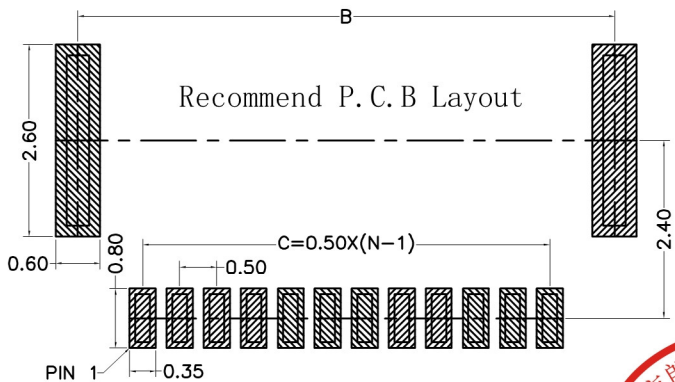


1. Material  
 1.1: Housing: PA46 UL94-V0 Color: Nature.  
 1.2: Contact: C5191-H T=0.20±0.01.  
 1.3: LEG: C2680-H T=0.25±0.01.
2. Plating  
 2.1: Contact: Gold flash over Nickel.  
 2.2: LEG: Gold flash over Nickel.
3. Rating:  
 3.1: Operating Voltage: 50V AC/DC.  
 3.2: Current Rating: 0.5A AC/DC.  
 3.3: Operating Temperature: -40°C~+80°C.
4. Mark " " is the important dimension



PORT NO	Dimension			PORT NO	Dimension		
	A	B	D		A	B	D
04P	4.10	3.25	2.60	25P	14.60	13.75	13.10
05P	4.60	3.75	3.10	26P	15.10	14.25	13.60
06P	5.10	4.25	3.60	27P	15.60	14.75	14.10
07P	5.60	4.75	4.10	28P	16.10	15.25	14.60
08P	6.10	5.25	4.60	29P	16.60	15.75	15.10
09P	6.60	5.75	5.10	30P	17.10	16.25	15.60
10P	7.10	6.25	5.60	31P	17.60	16.75	16.10
11P	7.60	6.75	6.10	32P	18.10	17.25	16.60
12P	8.10	7.25	6.60	33P	18.60	17.75	17.10
13P	8.60	7.75	7.10	34P	19.10	18.25	17.60
14P	9.10	8.25	7.60	35P	19.60	18.75	18.10
15P	9.60	8.75	8.10	36P	20.10	19.25	18.60
16P	10.10	9.25	8.60	37P	20.60	19.75	19.10
17P	10.60	9.75	9.10	38P	21.10	20.25	19.60
18P	11.10	10.25	9.60	39P	21.60	20.75	20.10
19P	11.60	10.75	10.10	40P	22.10	21.25	20.60
20P	12.10	11.25	10.60	41P	22.60	21.75	21.10
21P	12.60	11.75	11.10	42P	23.10	22.25	21.60
22P	13.10	12.25	11.60	43P	23.60	22.75	22.10
23P	13.60	12.75	12.10	44P	24.10	23.25	22.60
24P	14.10	13.25	12.60	45P	24.60	23.75	23.10



UNITS mm		东莞市朗纶电子制品有限公司 Dongguan langlun electronic products Co., Ltd		
MAT'L		PART NO.(INTENDED USE) 0512-nR-GF	TITLE: FPC0.5Pitch1.2H 无锁 双接触点镀金	
FINISH		APPD:	DWG NO.: 0512-nR-GF	
Q'TY PCS		CHKD:	SCALE SHEET REV. 1/1 1/1 A	
X.± 0.3 X. <sup>o</sup> ± 5°		DR: HU 2016.09.25		
.X± 0.25 .X. <sup>o</sup> ± 2°				
.XX± 0.20 .XX. <sup>o</sup> ± 1°				
.XXX± 0.10 .XXX. <sup>o</sup> ± 0.5°				