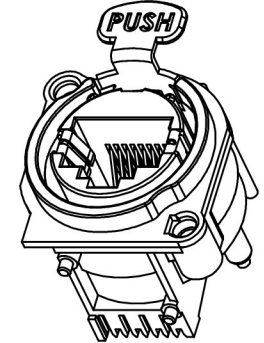
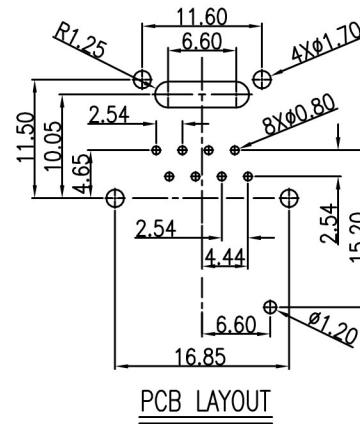
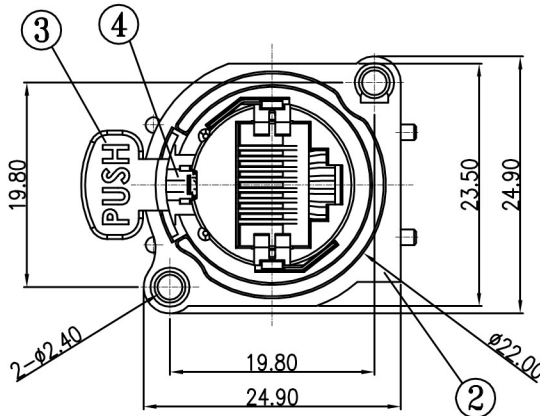


ALLOWANCE	
UNDER 3	±0.1
3 TO 6	±0.15
6 TO 15	±0.2
15 TO 50	±0.25
50 OVER	±0.3



NOTE:

- MATERIAL:
 - 1-1 HOUSING:PBT,COLOR:BLACK
 - 1-2 COVER:PBT,COLOR:BLACK
 - 1-3 PUSH:PHOSPHOR COPPER,NI PLATED
 - 1-4 TERMINAL-A:65MN,NI PLATED
 - 1-5 COMPONENT:PHOSPHOR COPPER+PBT, AU PLATED+SN PLATED,COLOR:BLACK
 - 1-6 TERMINAL-B:BRASS,SN PLATED
 - 1-7 TERMINAL-C:BRASS,SN PLATED
- SALT SPRAY TEST 16H
- ELECTRICAL STRUCTURE
 - 3-1 WITHSTAND VOLTAGE 500V
 - 3-2 CONTACT RESISTANCE 30mΩ MAX
 - 3-3 INSULATION RESISTANCE 500MΩ MAX
- MECHANICA
 - 4-1 INSERTION EXTRACTION:1000 CYCLES
 - 4-2 INSERTION EXTRACTION FORCE:5-40N
- THE ENVIRONMENT
 - OPERATING TEMPERATURE -40°C To+85°C
- PART MUST COMPLY ROHS SPECIFICATION
- MUST ACCORD SPECIFICATION REQUEST



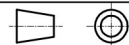
7	370801035	TERMINAL-C	1PCS
6	370801095	TERMINAL-B	1PCS
5	87080201	COMPONENT	1PCS
4	37080104B4	TERMINAL-A	1PCS
3	37080108A4	PUSH	1PCS
2	47080103	COVER/BLACK	1PCS
1	47080104	HOUSING/BLACK	1PCS
序号	料号	品名规格	数量

MODEL NO: SPR8-02B

TYPE: RJ45 JACK

MATERIAL NO: 57080202

PROJECTION



ALLOWANCE:

UNIT: mm

SCALE:

DRAWN BY:

CHECKED BY:

APPROVED BY:

东莞市朗纶电子制品有限公司
Dongguan langlun electronic products Co., Ltd