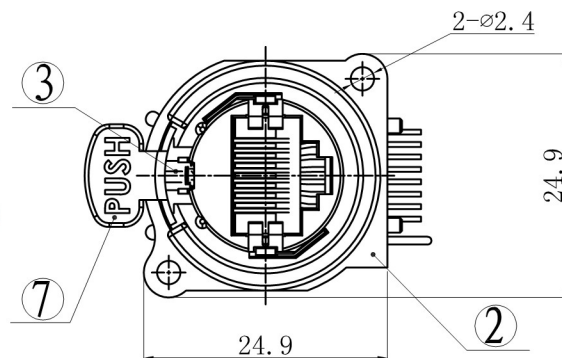
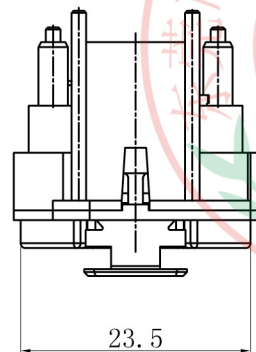
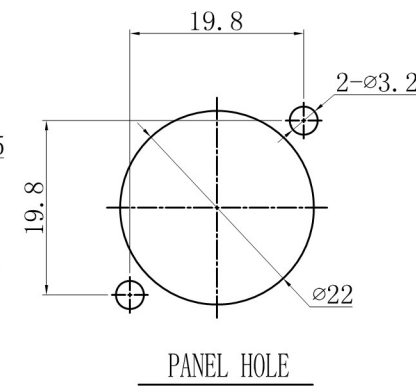
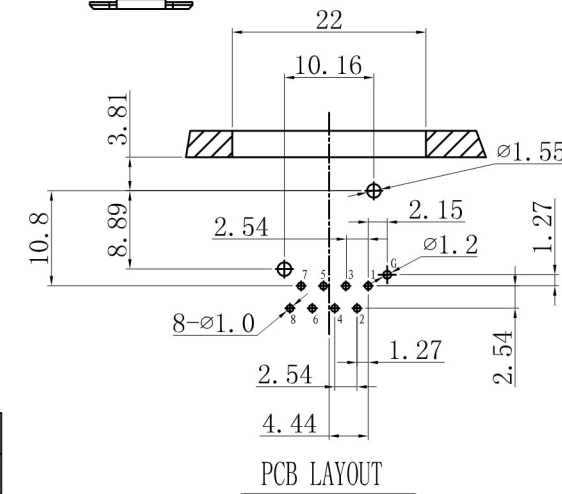
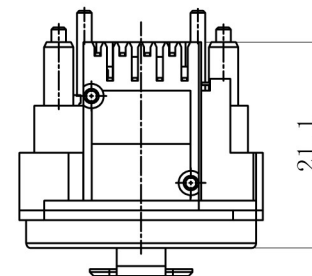
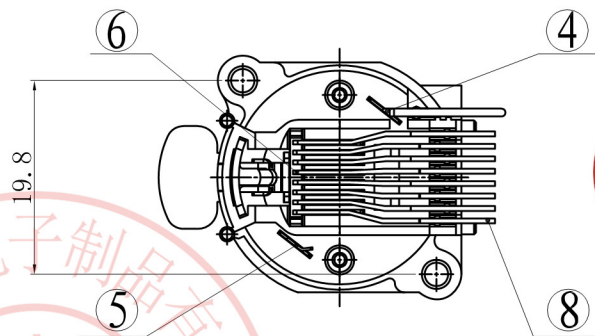
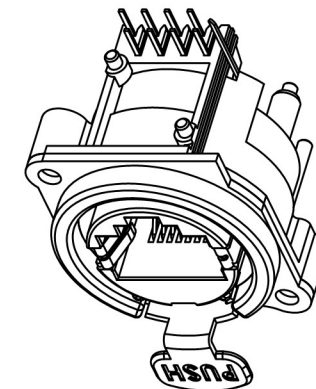
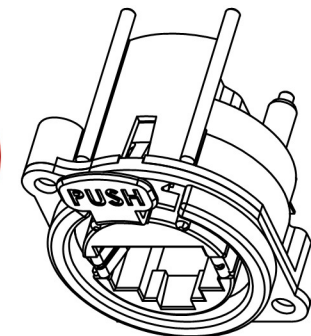


ALLOWANCE	
UNDER 3	± 0.1
3 TO 6	± 0.15
6 TO 15	± 0.2
15 TO 50	± 0.25
50 OVER	± 0.3



8	TERMINAL	C5210 EH	1 Set	AU+SN PLATED
7	PUSH	QSn6.5-0.1-0.6Y	1	NI PLATED
6	INSERT	PA66 GF30% V0	1	Black
5	TERMINAL-B	C2680	1	SN PLATED
4	TERMINAL-A	C2680	1	SN PLATED
3	SPRING	65Mn	1	NI PLATED
2	COVER	PBT	1	Black
1	HOUSING	PBT	1	Black
NO:	PART NAME	MATERIAL	QTY	FINISHING

MODEL NO: RJ45 TERMINAL	ALLOWANCE:	DRAWN BY:
TYPE: SPR8-02A卧式	UNIT: mm	CHECKED BY:
MATERIAL NO:	SCALE:	APPROVED BY:

PROJECTION   **东莞市朗纶电子制品有限公司**
Dongguan langlun electronic products Co., Ltd