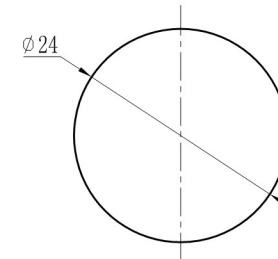
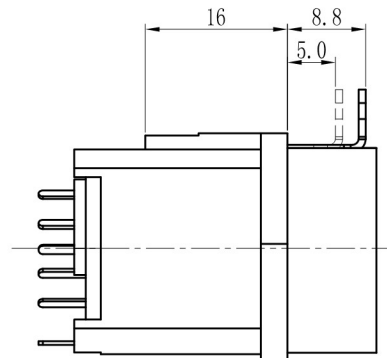
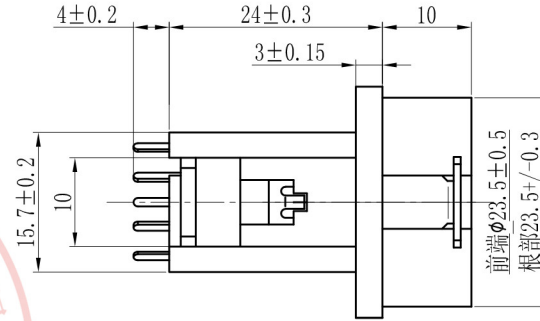
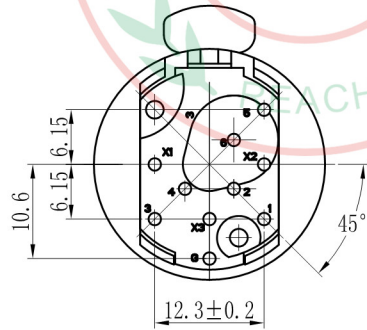
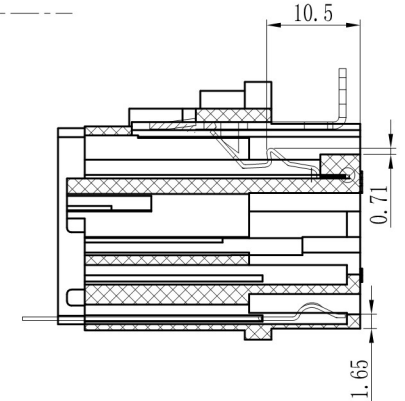
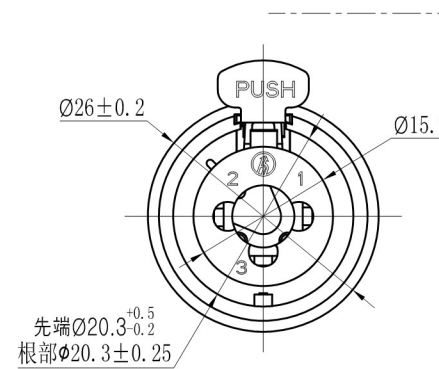


PCB LAYOUT
TOP VIEW



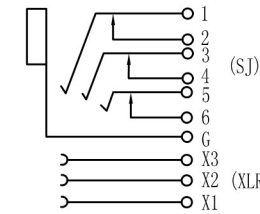
PANEL CUT OUT



ALLOWANCE	
UNDER 3	±0.1
3 TO 6	±0.15
6 TO 15	±0.2
15 TO 50	±0.25
50 OVER	±0.3



11	SPRING	65Mn t=0.4	1	Ni PLATED
10	PUSH	SPCC t=0.80	1	Ni PLATED
9	TERMINAL-6	BRONZE t=0.4	1	Ag PLATED
8	TERMINAL-5	BRONZE t=0.4	1	Ag PLATED
7	TERMINAL-4	BRONZE t=0.4	1	Ag PLATED
6	TERMINAL-3	BRONZE t=0.4	1	Ag PLATED
5	TERMINAL-2	BRONZE t=0.4	1	Ag PLATED
4	TERMINAL-1	BRONZE t=0.4	1	Ag PLATED
3	TERMINAL-(G/X1/X2/X3)	BRONZE t=0.4	4	Ag PLATED
2	COVER	PA66-G30	1	BLACK
1	HOUSE	PA66-G30	1	BLACK
NO:	PART NAME	MATERIAL	QTY	FINISHING



SCHEMATIC



MODEL NO: SPC-12B	ALLOWANCE:	DRAWN BY:
TYPE: XLR CABLE CONNECTORS	UNIT: mm	CHECKED BY:
MATERIAL NO:	SCALE:	APPROVED BY:
PROJECTION	东莞市朗纶电子制品有限公司 Dongguan langlun electronic products Co., Ltd	