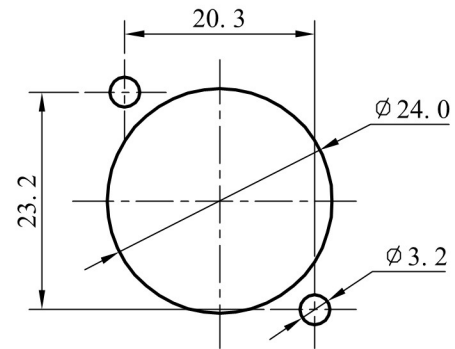
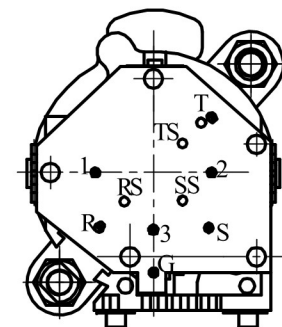
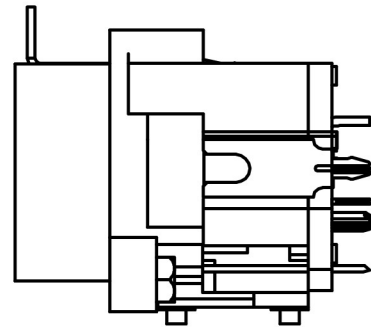
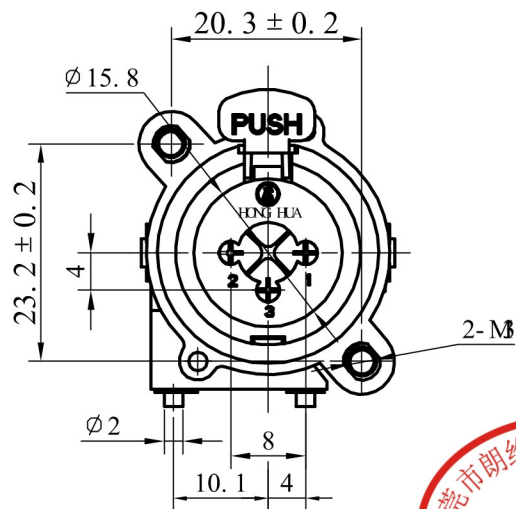
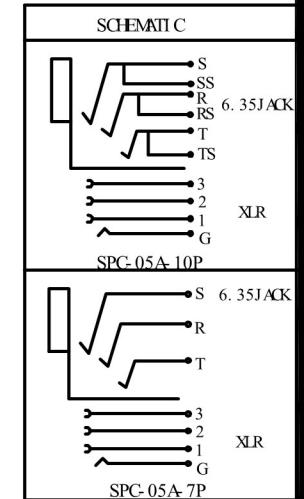


PCB LAYOUT



PANEL CUT OUT



MODEL NO : SPC-05A-10P	ALLOWANCE:	DRAWN BY:
TYPE: SP SOCKET	UNIT: mm	CHECKED BY:
MATERIAL NO :	SCALE:	APPROVED BY:
PROJECT ON	东莞市朗纶电子制品有限公司 Dongguan langlun electronic products Co., Ltd	