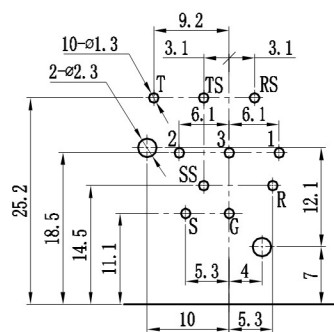
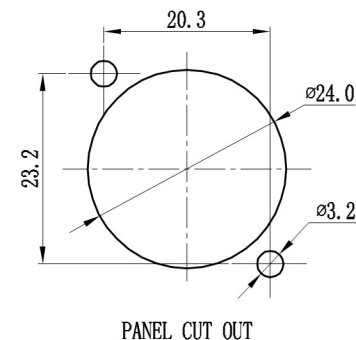
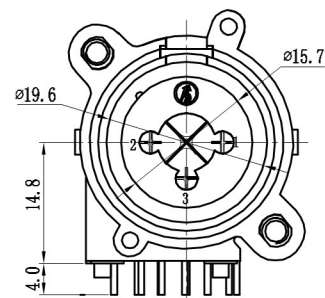
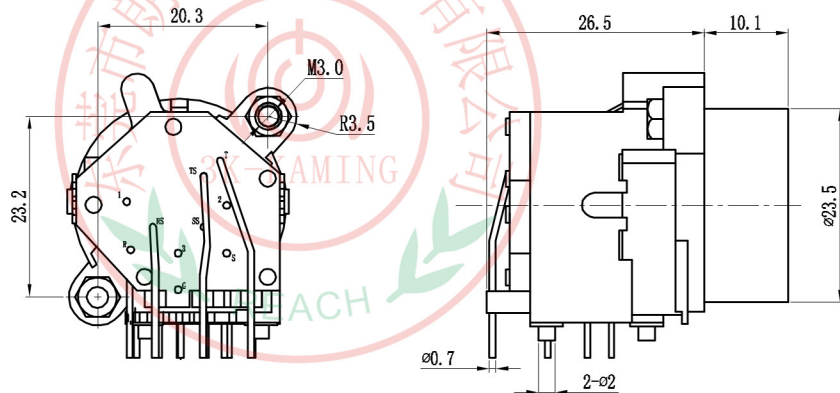
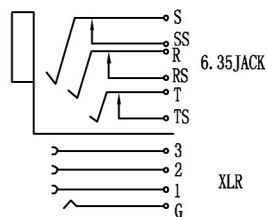


| ALLOWANCE | |
|-----------|-------|
| UNDER 3 | ±0.1 |
| 3 TO 6 | ±0.15 |
| 6 TO 15 | ±0.2 |
| 15 TO 50 | ±0.25 |
| 50 OVER | ±0.3 |



PCB LAYOUT



SCHEMATIC



Specifications:
 Rating :AC 50V, 3A.
 Force:5-40N.
 Contact resistance:
 Less than30mΩ.
 Insulation resistance:
 Over 1GΩ on DC 500V measured.
 Voltage withstand :
 AC 1000V, For 1 minute.

| | | |
|-------------------|------------|--|
| MODEL NO: SPC-04C | ALLOWANCE: | DRAWN BY: |
| TYPE: SP SOCKET | UNIT: mm | CHECKED BY: |
| MATERIAL NO: | SCALE: | APPROVED BY: |
| PROJECTION | | 东莞市朗纶电子制品有限公司 Dongguan langlun electronic products Co., Ltd |
| | | |