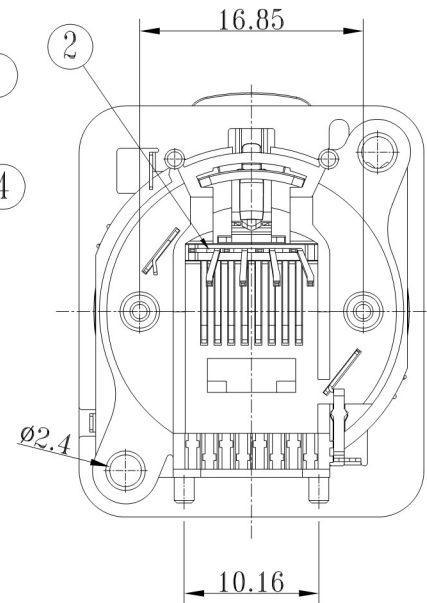
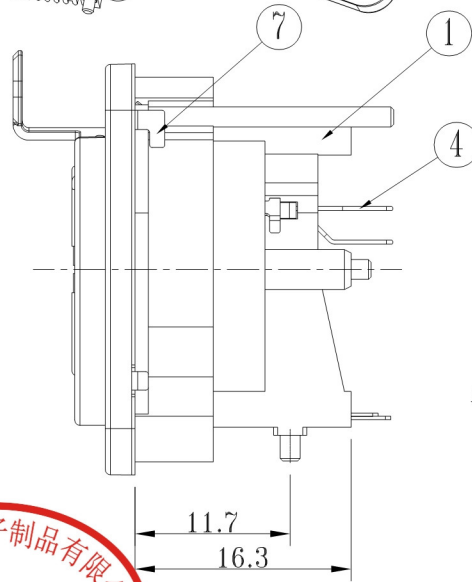
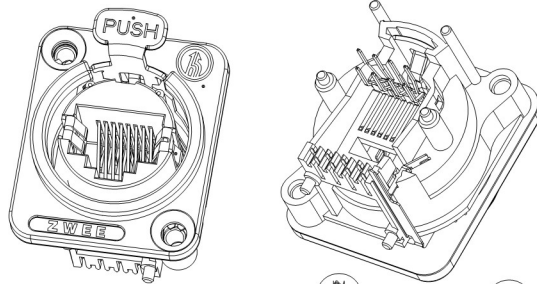
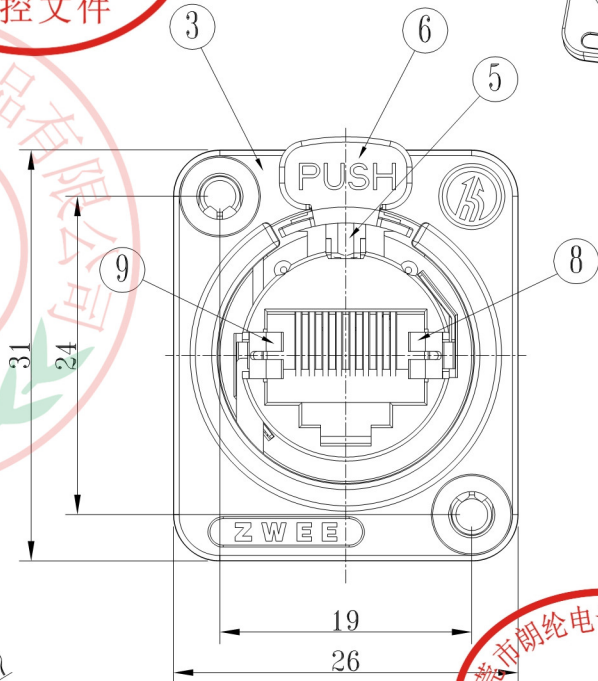
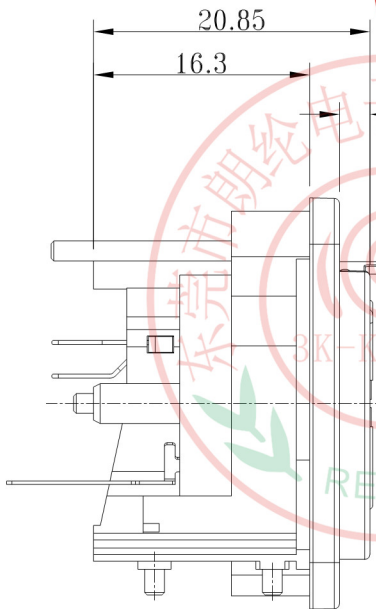


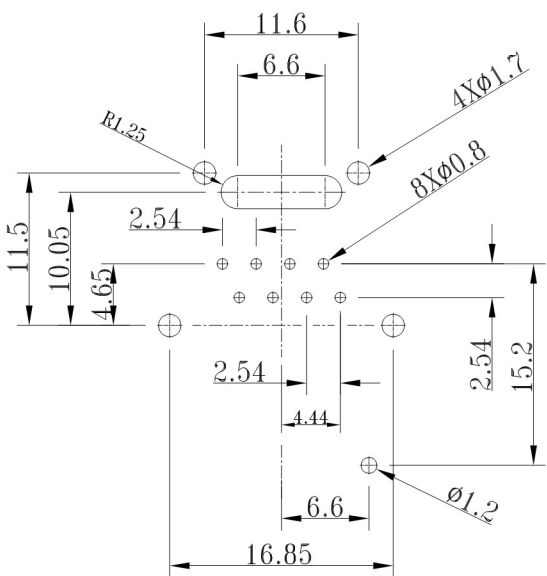


受控文件

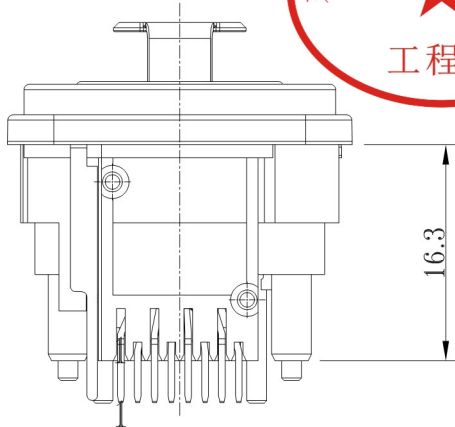
| ALLOWANCE | |
|-----------|-------|
| UNDER 3 | ±0.1 |
| 3 TO 6 | ±0.15 |
| 6 TO 15 | ±0.2 |
| 15 TO 50 | ±0.25 |
| 50 OVER | ±0.3 |



工程部



PCB MOUNTING HOLES
(Solder surface)



| NO | PART NAME | MATERIAL | QTY | FINISHING |
|--------------|----------------|-----------------|--------------------|----------------------|
| 9 | TERMINAL B | C2680 | 1 | SN PLATED |
| 8 | TERMINAL A | C2680 | 1 | SN PLATED |
| 7 | GND | C2680 | 1 | SN PLATED(MATTE) |
| 6 | PUSH | QSn6.5-0.1-0.6Y | 1 | NI PLATED |
| 5 | SPRING | CK67 | 1 | ZB PLATED |
| 4 | TERMINAL | C5210 EH | 1 Set | AU+SN PLATED |
| 3 | COVER | ZINC ALLOY | 1 | PAINTED PEARL CHROME |
| 2 | INSERT | PA66 GF30% V0 | 1 | BLACK |
| 1 | HOUSING | PBT GF15% V0 | 1 | BLACK |
| MODEL NO: | SPR8-01A | ALLOWANCE: | DRAWN BY: T.L.J | |
| TYPE: | 3.5 PHONE JACK | UNIT: mm | CHECKED BY: Z.R.H | |
| MATERIAL NO: | 57080101 | SCALE: | APPROVED BY: H.X.Q | |

PROJECTION



东莞市朗纶电子制品有限公司
Dongguan langlun electronic products Co., Ltd