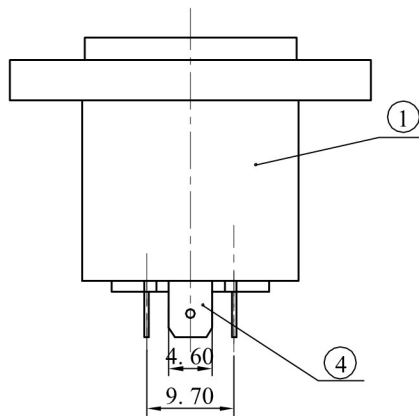
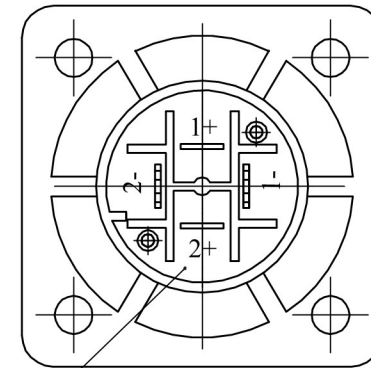
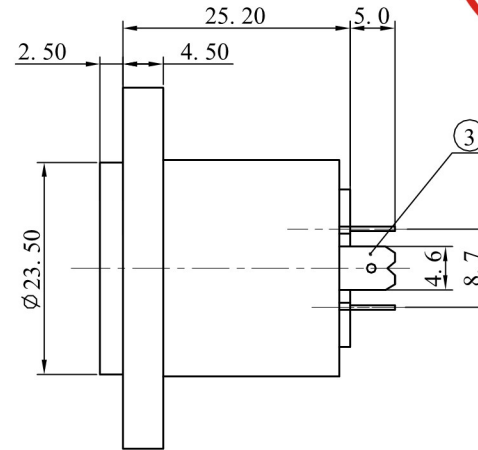
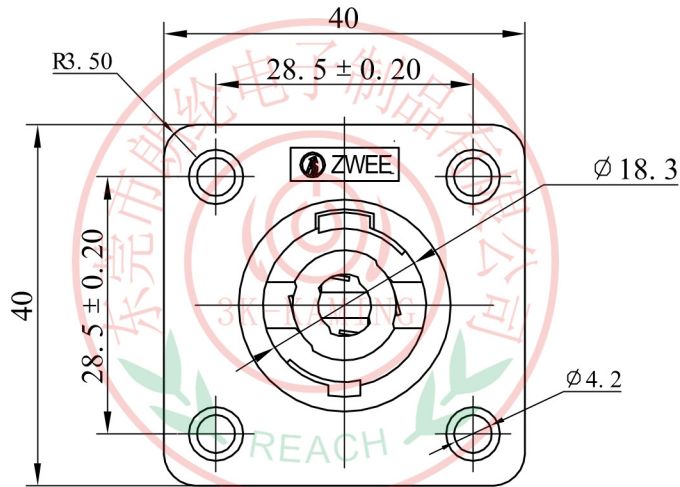
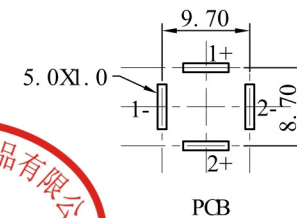


ALLOWANCE

UNDER 3	± 0.1
3 TO 6	± 0.15
6 TO 15	± 0.2
15 TO 50	± 0.25
50 OVER	± 0.3



Specifications:
 Rating :DC 250V,20A.
 Force:5~40N.
 Contact resistance:
 Less than30mΩ.
 Insulation resistance:
 Over 100MΩ on DC 500V
 measured.
 Voltage withstand :
 AC 500V,For 1 minute.



4	TERMINAL-B	BRONZE t=0.4	2	Ag PLATED	MODEL NO : SPE-23	ALLOWANCE:	DRAWN BY:
3	TERMINAL-A	BRONZE t=0.4	2	Ag PLATED	TYPE :XLR CONNECTORS	UNIT: mm	CHECKED BY:
2	COVER	PA66	1	BLACK	MATERIAL NO :	SCALE:	APPROVED BY:
1	HOUSE	PA66	1	BLACK	PROJECTION	东莞市朗纶电子制品有限公司 Dongguan langlun electronic products Co., Ltd	
NO.	PART NAME	MATERIAL	QTY	FINISHING			