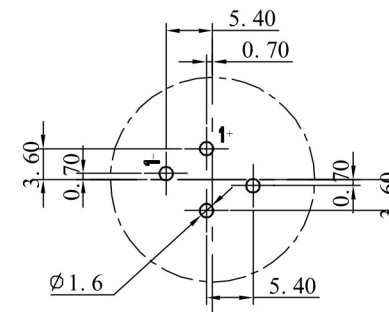
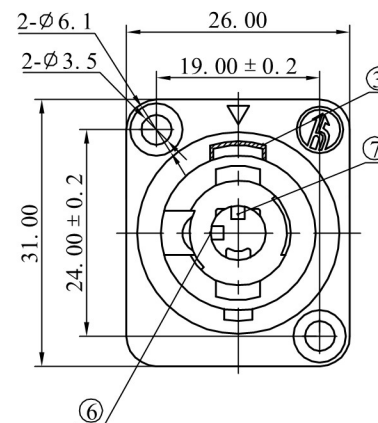
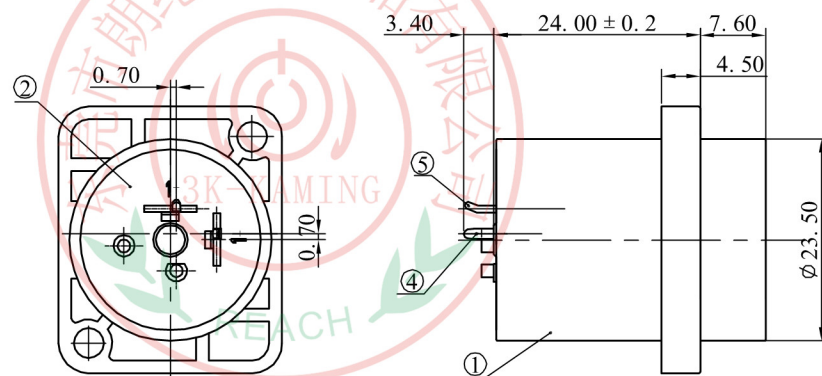
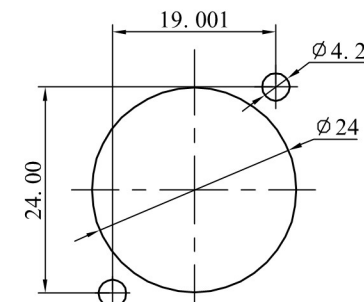
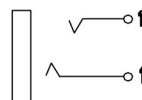


ALLOWANCE	
UNDER 3	± 0.1
3 TO 6	± 0.15
6 TO 15	± 0.2
15 TO 50	± 0.25
50 OVER	± 0.3



Print - Bohrplan  
PCB LAYOUT(component side)

Specifications:  
Rating :DC 250V,20A.  
Force:5~40N.  
Contact resistance:  
Less than30mΩ.  
Insulation resistance:  
Over 100MΩ on DC  
500V measured.  
Voltage withstand :  
AC 500V,For 1 minute.



Front plattenausschnitt Ruckseltte  
Panet Cut Out (rear-side)

7	TERMINAL-D	BRONZE t=0.4	1	Ag PLATED
6	TERMINAL-C	BRONZE t=0.4	1	Ag PLATED
5	TERMINAL-B	BRONZE t=0.8	1	Ag PLATED
4	TERMINAL-A	BRONZE t=0.8	1	Ag PLATED
3	TERMINAL-E	STAINLESS STEEL		
2	COVER	PA66	1	BLACK
1	HOUSE	PA66	1	BLACK
NQ	PART NAME	MATERIAL	QTY	FINISHING

MODEL NO :SPE- 20

ALLOWANCE:

DRAWN BY:

TYPE: SP SOCKET

UNIT: mm

CHECKED BY:

MATERIAL NO :

SCALE:

APPROVED BY:

PROJECTION



东莞市朗纶电子制品有限公司  
Dongguan langlun electronic products Co., Ltd