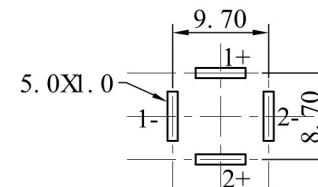
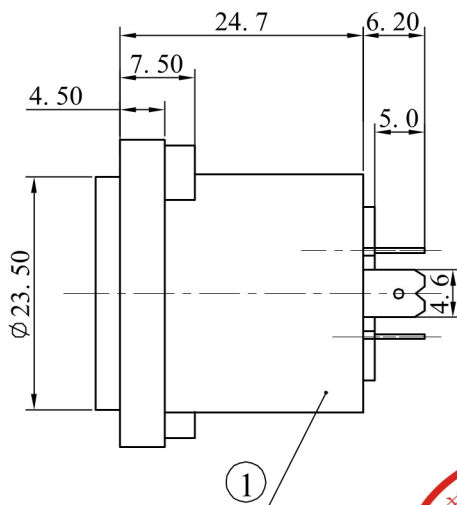
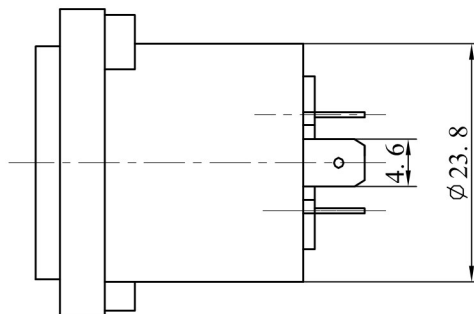


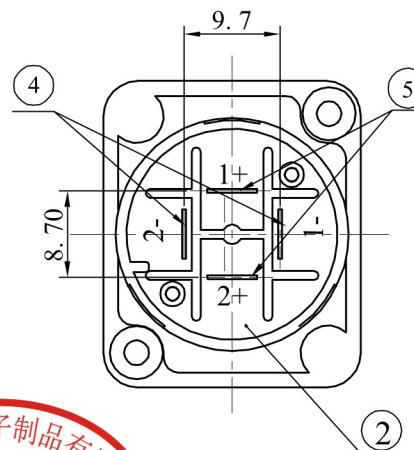
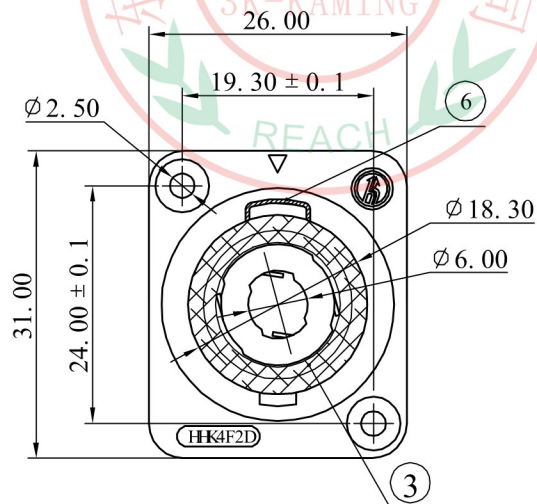
PANEL CUT OUT



PCB LAYOUT

ALLOWANCE

UNDER 3	± 0.1
3 TO 6	± 0.15
6 TO 15	± 0.2
15 TO 50	± 0.25
50 OVER	± 0.3



Specifications:  
 Rating :DC 250V,20A.  
 Force:5~40N.  
 Contact resistance:  
 Less than30m Ω.  
 Insulation resistance:  
 Over 100M Ω on DC  
 500V measured.  
 Voltage withstand :  
 AC 500V,For 1  
 minute.



6	TERMINAL-E	STEEL	1	
5	TERMINAL-B	BRONZE t=0.4	2	Ag PLATED
4	TERMINAL-A	BRONZE t=0.4	2	Ag PLATED
3	WASHER	RUBBER	1	BLACK
2	COVER	PA66	1	BLACK
1	HOUSE	PA66	1	BLACK
NO	PART NAME	MATERIAL	QTY	FINISHING

MODEL NO :SPE-04	ALLOWANCE:	DRAWN BY:
TYPE: SP SOCKET	UNIT: mm	CHECKED BY:
MATERIAL NO :	SCALE:	APPROVED BY:
PROJECTION		东莞市朗纶电子制品有限公司 Dongguan langlun electronic products Co., Ltd