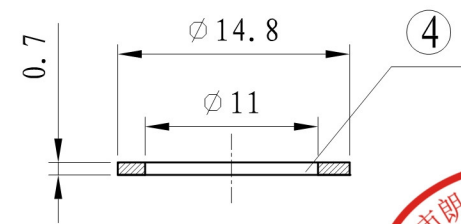
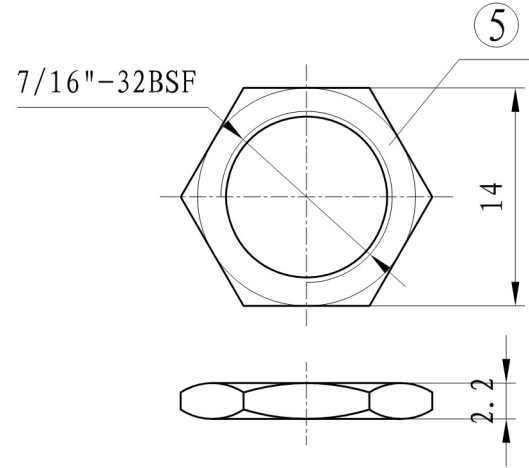
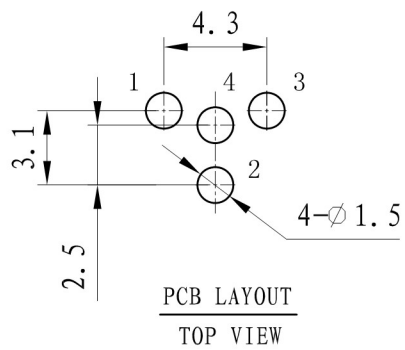
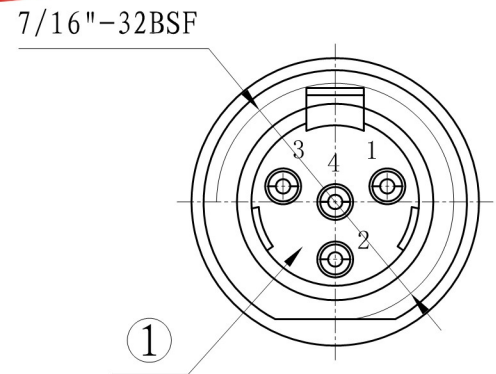
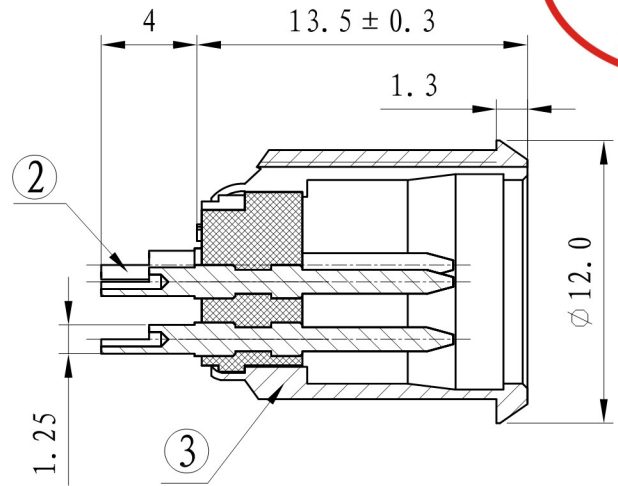
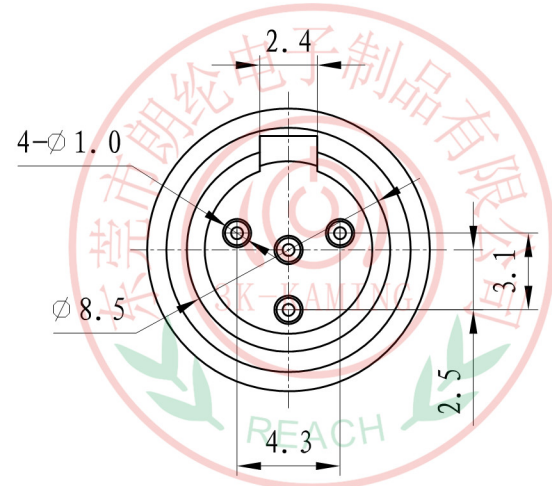




ALLOWANCE	
UNDER 3	± 0.1
3 TO 6	± 0.15
6 TO 15	± 0.2
15 TO 50	± 0.25
50 OVER	± 0.3



5	NUT	BRASS	1	Ni PLATED
4	WASHER	SPCC	1	Ni PLATED
3	SOCKET	BRASS	1	Ni PLATED
2	TERMINAL	BRASS	4	Au PLATED
1	HOUSE	PA66	1	BLACK
NO:	PART NAME	MATERIAL	QTY	FINISHING

MODEL NO: MJM4-01	ALLOWANCE:	DRAWN BY: LZF 2017.4.7
TYPE: MINI XLR CABLE SOCKET	UNIT: mm	CHECKED BY: WLW 2017.4.7
MATERIAL NO:	SCALE:	APPROVED BY: HXQ 2017.4.7
PROJECTION	<b>东莞市朗纶电子制品有限公司</b> Dongguan langlun electronic products Co., Ltd	