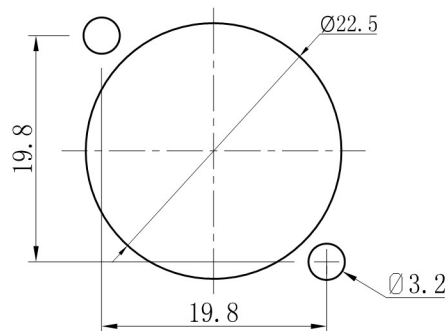
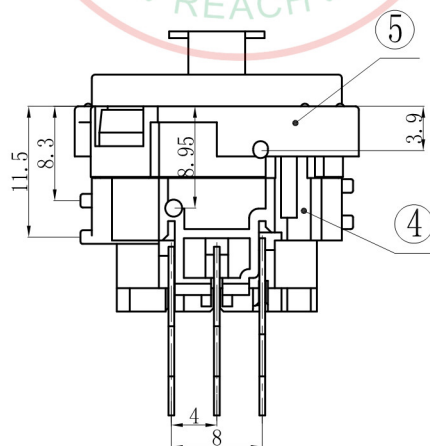
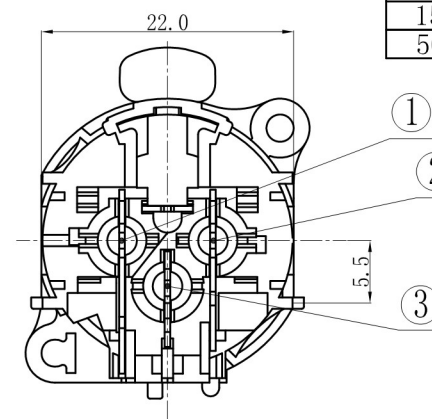
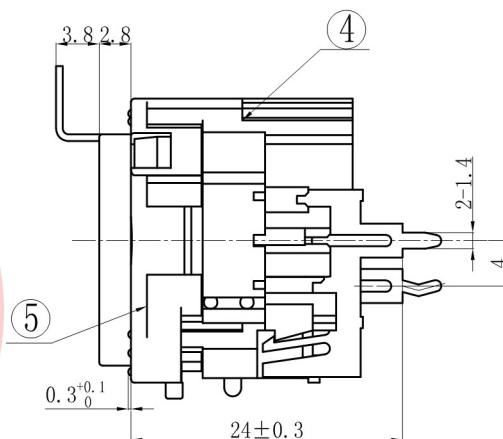
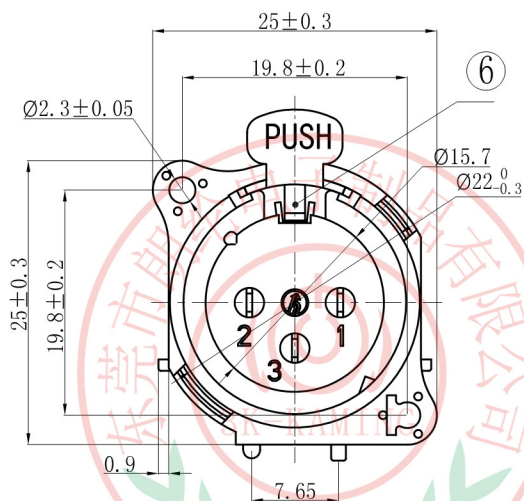
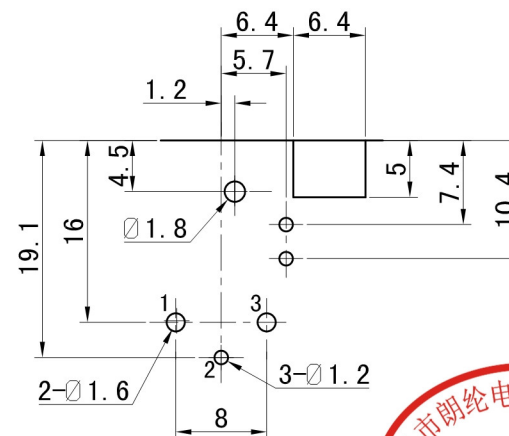


ALLOWANCE	
UNDER 3	±0.1
3 TO 6	±0.15
6 TO 15	±0.2
15 TO 50	±0.25
50 OVER	±0.3



PANEL CUT OUT



PCB LAYOUT
TOP VIEW



7	PUSH	BRONZE t=0.65	1	Ni PLATED
6	TERMINAL-D	65Mn t=0.5	1	BLACK
5	COVER	ZINC	1	Ni PLATED
4	HOUSE	PA66	1	BLACK
3	TERMINAL-C	BRONZE t=0.5	1	Au PLATING
2	TERMINAL-B	BRONZE t=0.5	1	Au PLATING
1	TERMINAL-A	BRONZE t=0.5	1	Au PLATING
NO:	PART NAME	MATERIAL	QTY	FINISHING

MODEL NO: SPF-35V	ALLOWANCE:	DRAWN BY:
TYPE: SP SOCKET	UNIT: mm	CHECKED BY:
MATERIAL NO:	SCALE:	APPROVED BY:
PROJECTION	 东莞市朗纶电子制品有限公司 Dongguan langlun electronic products Co., Ltd	