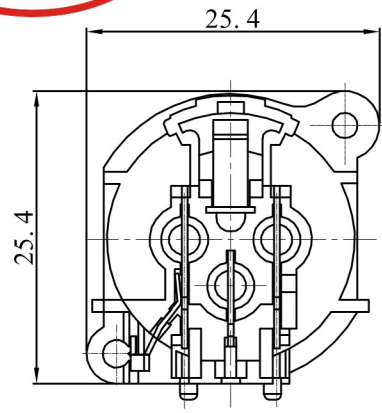


ALLOWANCE	
UNDER 3	± 0.1
3 TO 6	± 0.15
6 TO 15	± 0.2
15 TO 50	± 0.25
50 OVER	± 0.3



Specifications:  
 Rating : AC 50V, 3A  
 Force: 5-40N  
 Contact resistance:  
 Less than 30mΩ.  
 Insulation resistance:  
 Over 1GΩ on DC 500V measured.  
 Voltage withstand :  
 AC 1000V, For 1 minute.



MODEL NO: SPF-25BL	ALLOWANCE:	DRAWN BY:
TYPE: SP SOCKET	UNIT: mm	CHECKED BY:
MATERIAL NO.	SCALE:	APPROVED BY:
PROJECTION	 3K-KAMLING	东莞市朗纶电子制品有限公司 Dongguan langlun electronic products Co., Ltd