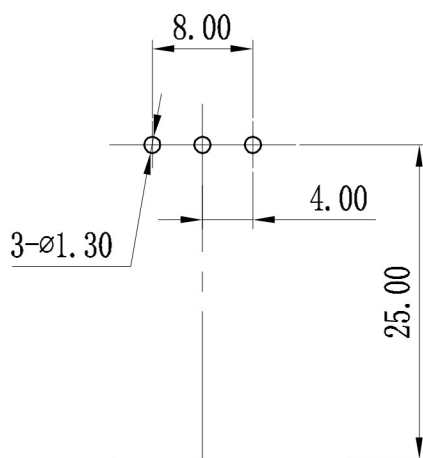
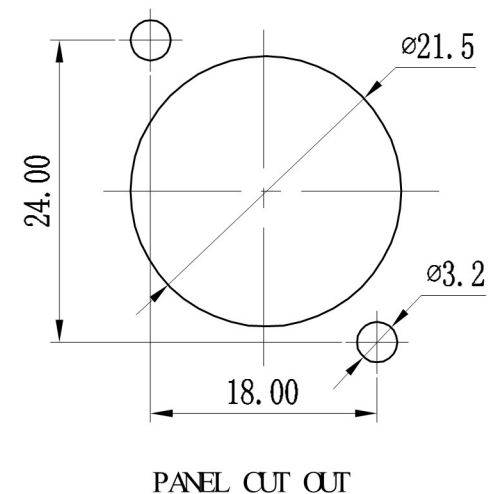
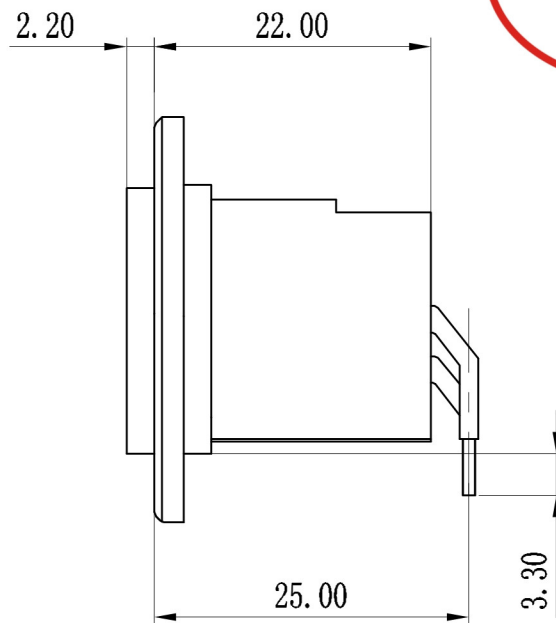
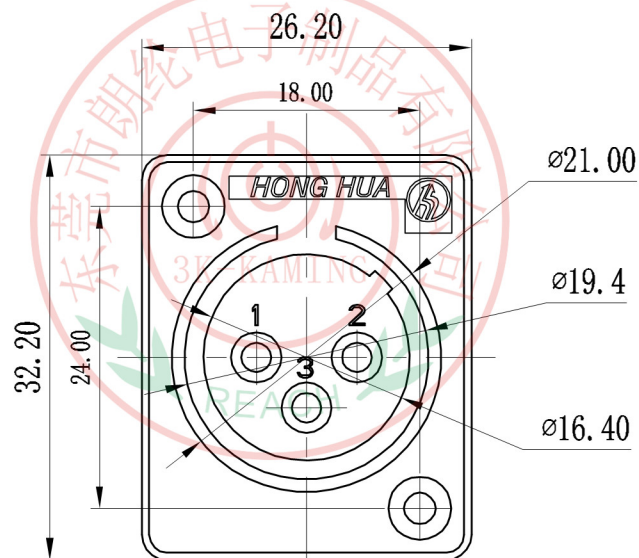


| ALLOWANCE | |
|-----------|-------|
| UNDER 3 | ±0.1 |
| 3 TO 6 | ±0.15 |
| 6 TO 15 | ±0.2 |
| 15 TO 50 | ±0.25 |
| 50 OVER | ±0.3 |



PCB LAYOUT



| | | |
|---------------------------|------------|--|
| MODEL NO: SPM-14 | ALLOWANCE: | DRAWN BY: |
| TYPE: XLR CABLE CONNECTOR | UNIT: mm | CHECKED BY: |
| MATERIAL NO: | SCALE: | APPROVED BY: |
| PROJECTION | | 东莞市朗纶电子制品有限公司 Dongguan langlun electronic products Co., Ltd |
| | | |