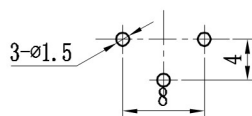
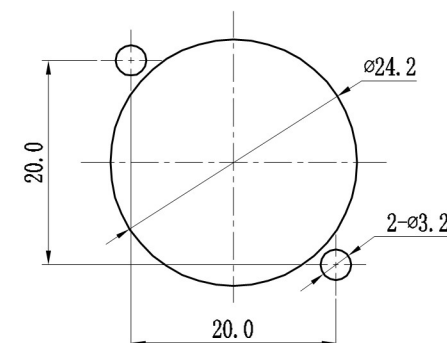
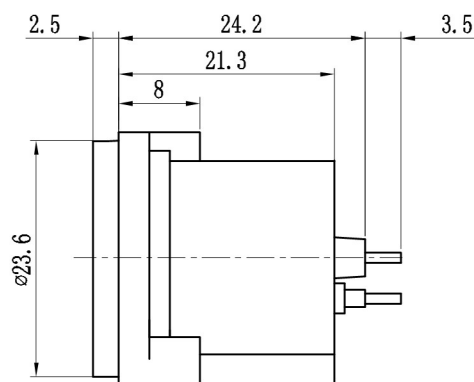
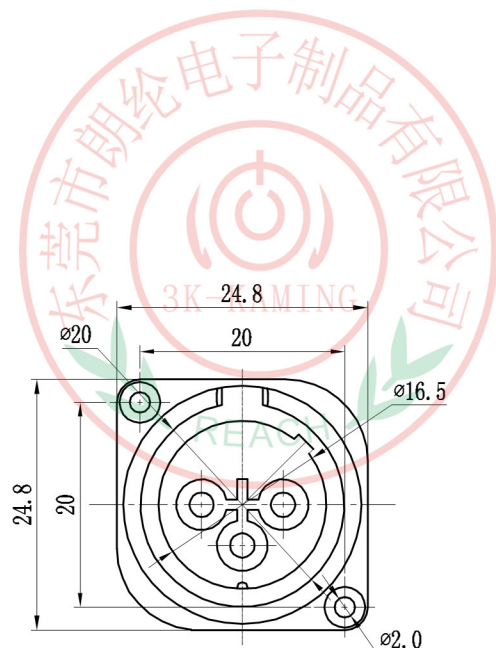




| ALLOWANCE |       |
|-----------|-------|
| UNDER 3   | ±0.1  |
| 3 TO 6    | ±0.15 |
| 6 TO 15   | ±0.2  |
| 15 TO 50  | ±0.25 |
| 50 OVER   | ±0.3  |



PCB LAYOUT



|   |   |   |
|---|---|---|
| MODEL NO: SPM-09C   | ALLOWANCE:  | DRAWN BY:   |
| TYPE: SP SOCKET   | UNIT: mm  | CHECKED BY:   |
| MATERIAL NO:  | SCALE:  | APPROVED BY:  |
| PROJECTION  |  | <b>东莞市朗纶电子制品有限公司</b><br>Dongguan langlun electronic products Co., Ltd |
|  |   |   |