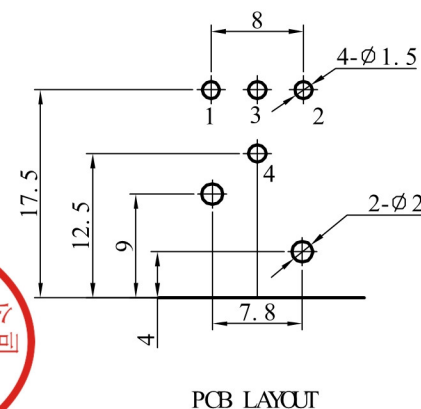
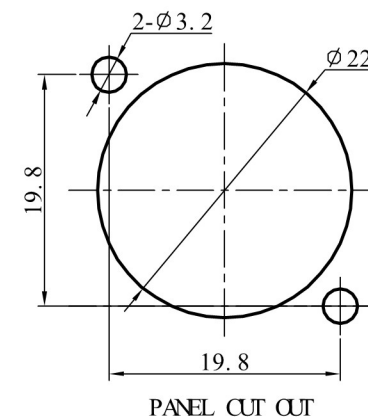
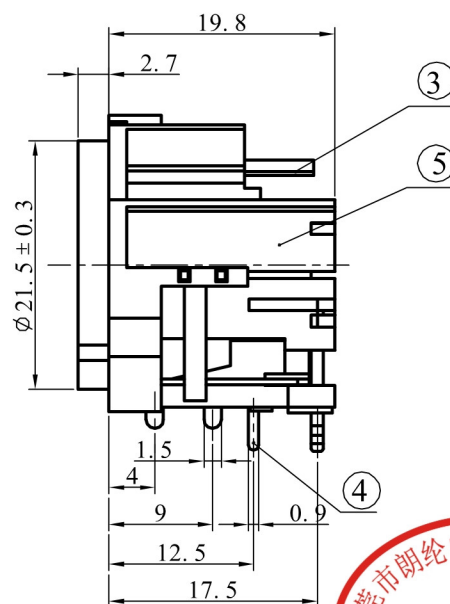
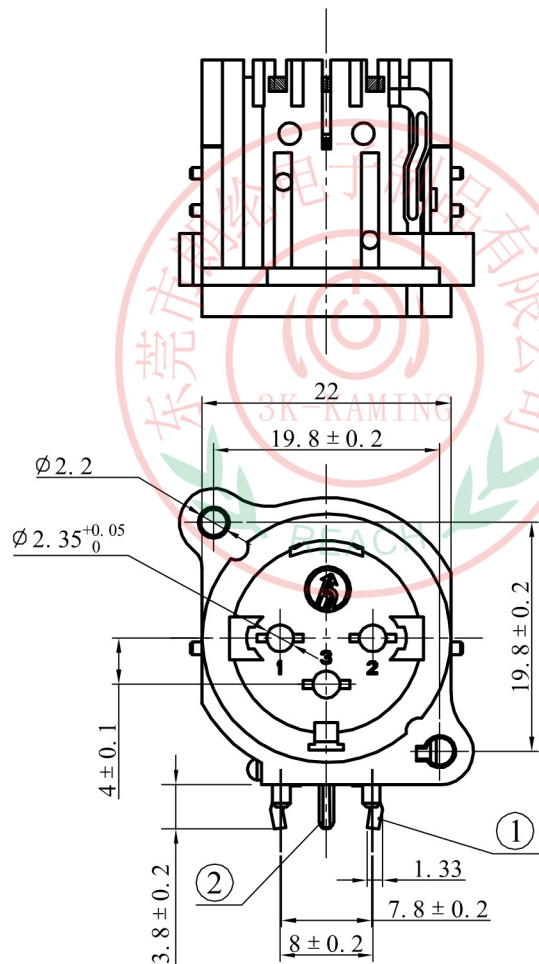


| ALLOWANCE |        |
|-----------|--------|
| UNDER 3   | ± 0.1  |
| 3 TO 6    | ± 0.15 |
| 6 TO 15   | ± 0.2  |
| 15 TO 50  | ± 0.25 |
| 50 OVER   | ± 0.3  |



|    |            |              |     |           |
|----|------------|--------------|-----|-----------|
| 5  | HOUSE      | PA66         | 1   | BLACK     |
| 4  | TERMINAL-D | BRONZE t=0.3 | 1   | Ag PLATED |
| 3  | TERMINAL-C | STEEL t=0.4  | 1   | N PLATED  |
| 2  | TERMINAL-B | BRASS        | 1   | Au PLATED |
| 1  | TERMINAL-A | BRASS        | 2   | Au PLATED |
| NQ | PART NAME  | MATERIAL     | QTY | FINISHING |

|   |  |              |
|---|--|--------------|
| MODEL NO: SPM08G  | ALLOWANCE:   | DRAWN BY:    |
| TYPE: SP SOCKET   | UNIT: mm   | CHECKED BY:  |
| MATERIAL NO:  | SCALE:   | APPROVED BY: |
| PROJECTION  |  东莞市朗纶电子制品有限公司<br>Dongguan langlun electronic products Co., Ltd |              |
|  |  |              |