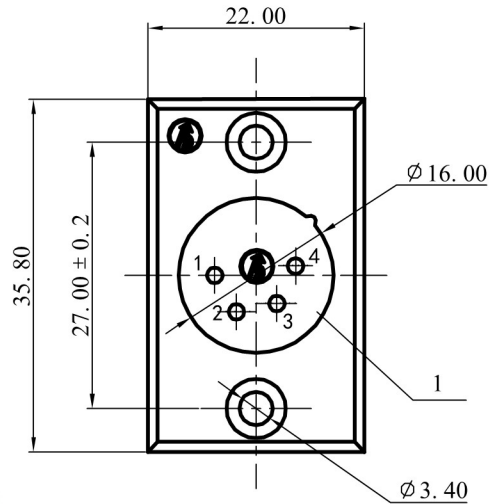
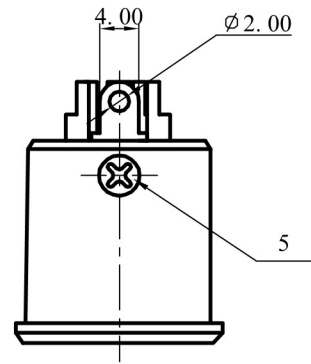
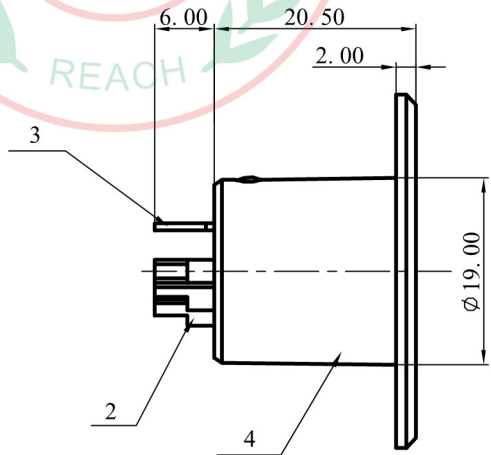


NO.	PARTICULAR	BY	DATE
REVISIONS			



5	SCREW(M. 5)	Q235	1	N PLATED
4	COVER	Zn	1	N PLATED
3	TERMINAL- B	SPCC 6=0.7	1	Cu- Sn PLATED
2	TERMINAL- A	HPb59-1	4	Ag PLATED
1	HOUSE	PA66	1	Black
NO.	PART NAME	MATERIAL	QTY	FINISHING

MODEL NO: SPM-20	TOLERANCE: ±0.2	DRAWN BY:
TYPE: XLR CABLE CONNECTORS	UNIT: mm	CHECKED BY:
MATERIAL NO:	SCALE: 1:1	APPROVED BY:
东莞市朗纶电子制品有限公司 Dongguan langlun electronic products Co., Ltd		