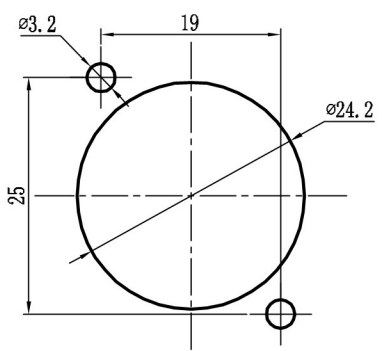
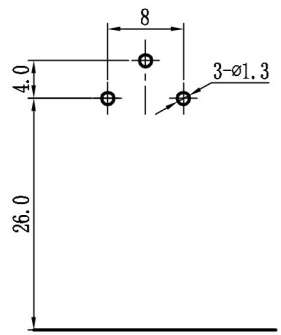


ALLOWANCE	
UNDER 3	$\pm 0.1$
3 TO 6	$\pm 0.15$
6 TO 15	$\pm 0.2$
15 TO 50	$\pm 0.25$
50 OVER	$\pm 0.3$



PANEL CUT OUT



PCB LAYOUT



MODEL NO: SPM-02F	ALLOWANCE:	DRAWN BY:
TYPE: SP SOCKET	UNIT: mm	CHECKED BY:
MATERIAL NO:	SCALE:	APPROVED BY:
PROJECTION		东莞市朗纶电子制品有限公司 Dongguan langlun electronic products Co., Ltd