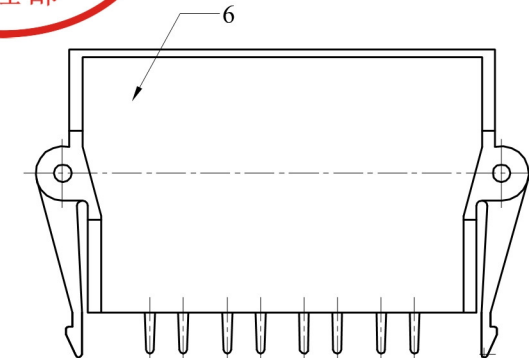
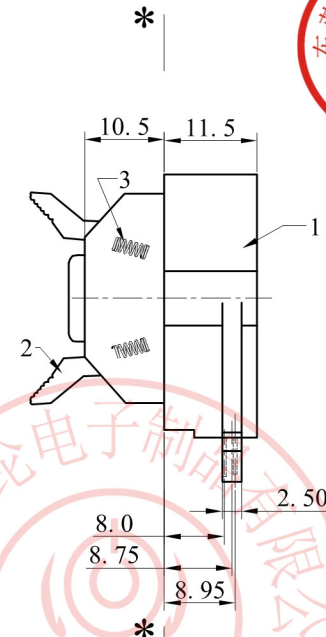
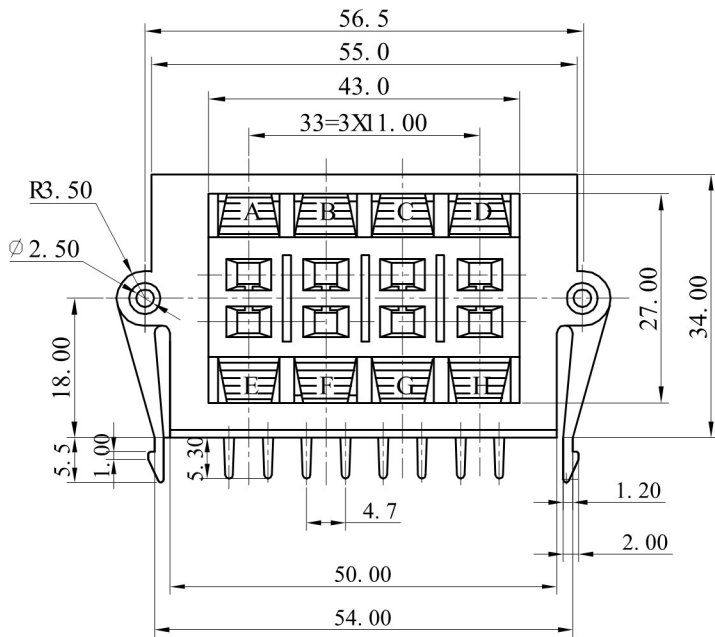
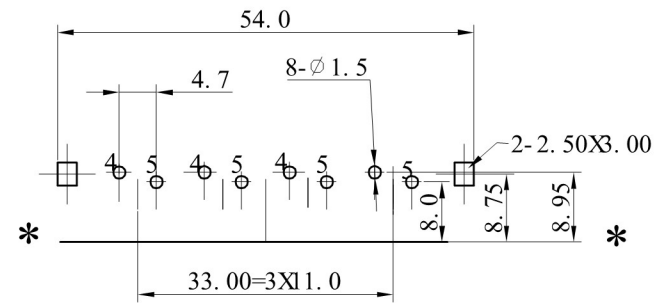


NO.	PART CLR	BY	DATE
REVISIONS			



CODE	A	B	C	D
COLOR	RED	BLUE	GREY	GREY
CODE	E	F	G	H
COLOR	BLACK	BLACK	BLACK	BLACK



PCB LAYOUT
TOP VIEW

6	COVER	PA-757(virgin)	1	BLACK
5	TERMINAL-B	H65-0.5Y	4	Cu-Sn PLATED
4	TERMINAL-A	H65-0.5Y	4	Cu-Sn PLATED
3	SPRING	72A	8	BLACK
2	KNOB	PA-757(virgin)	8	
1	HOUSE	PA-757(virgin)	1	BLACK
NO.	PART NAME	MATERIAL	QTY	FINISHING

MODEL NO: WP8-11	TOLERANCE: ±0.2	DRAWN BY:
TYPE: WP EXTERIOR TERMINAL	UNIT: mm	CHECKED BY:
MATERIAL NO: 50381102	SCALE: NO SCALE	APPROVED BY:
东莞市朗纶电子制品有限公司 Dongguan langlun electronic products Co., Ltd		