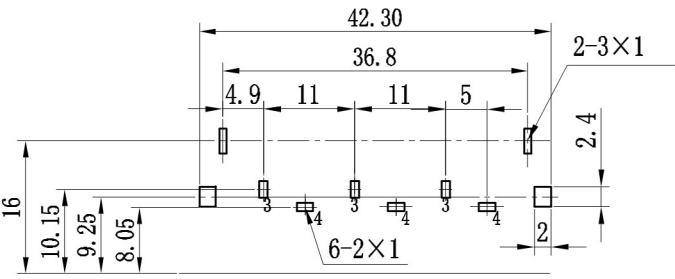
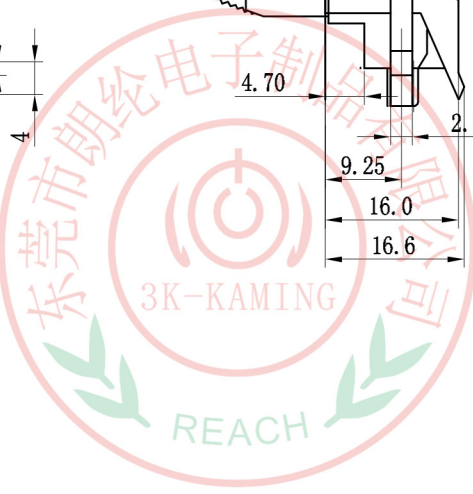
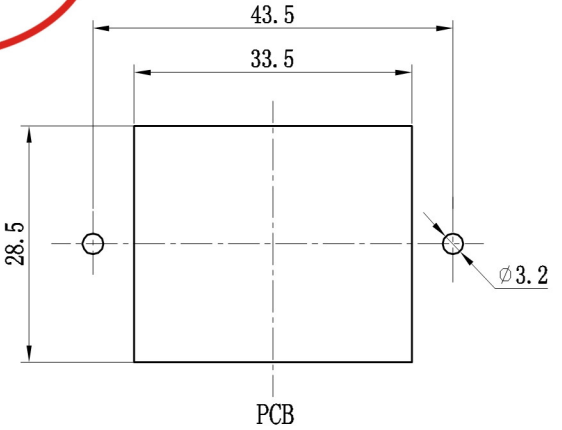
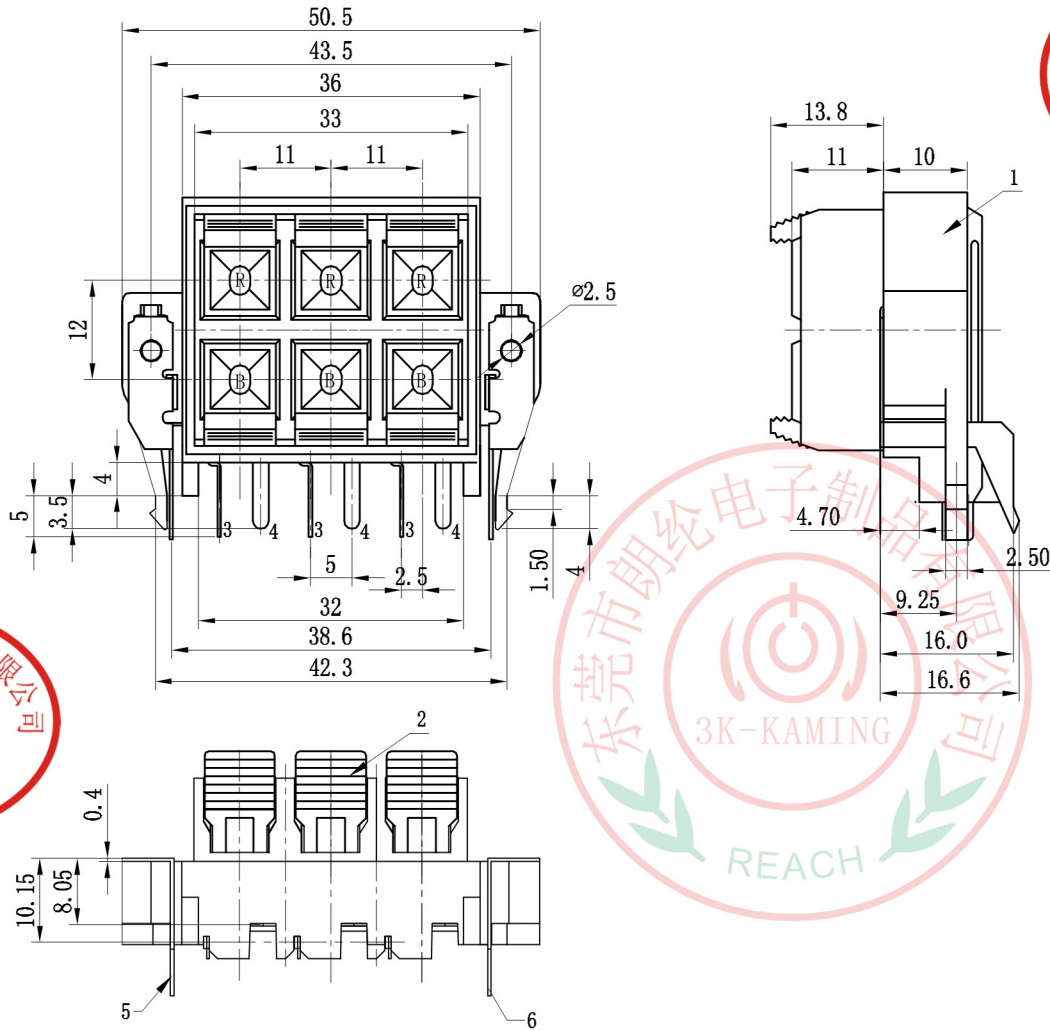


ALLOWANCE	
UNDER 3	±0.1
3 TO 6	±0.2
6 TO 15	±0.3
15 TO 50	±0.4
50 OVER	±0.5



PCB LAYOUT
TOP VIEW



NO:	PART NAME	MATERIAL	QTY	FINISHING
R	RED			
B	BLACK			
6	TERMINAL-D	H65-0.4Y	1	CuSn PLATED
5	TERMINAL-C	H65-0.4Y	1	CuSn PLATED
4	TERMINAL-B	H65-0.3Y	3	CuSn PLATED
3	TERMINAL-A	H65-0.3Y	3	CuSn PLATED
2	KONB	POM	6	
1	HOUSE	ABS 94HB	1	BLACK

MODEL NO: WP6-2B/E	TOLERANCE: /	DRAWN BY:
TYPE: WP EXTERIOR TERMIAI	UNIT: mm	CHECKED BY:
MATERIAL NO:	SCALE: NO SCALE	APPROVED BY:

东莞市朗纶电子制品有限公司
 Dongguan langlun electronic products Co., Ltd