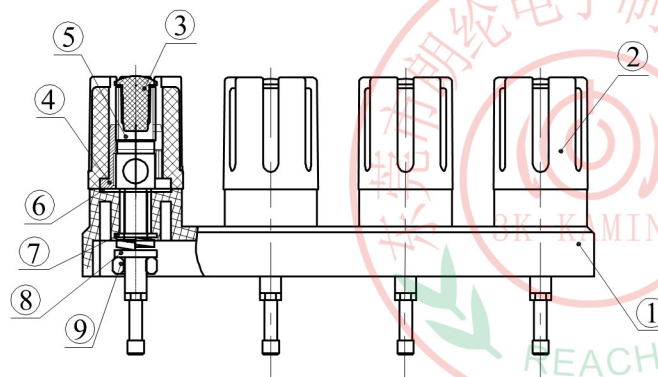
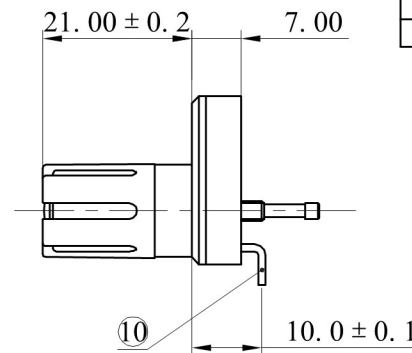
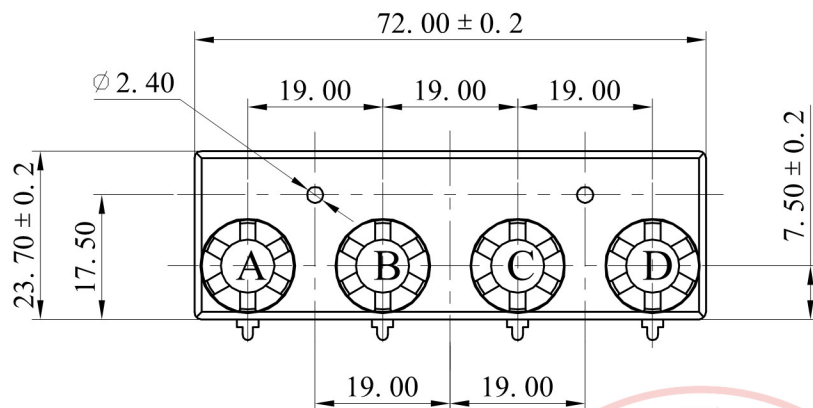


ALLOWANCE	
UNDER 3	± 0.1
3 TO 6	± 0.15
6 TO 15	± 0.2
15 TO 50	± 0.25
50 OVER	± 0.3



COLOR TABLE

LODE	A	B	C	D
COLOR	RED	BLACK	BLACK	RED



NO.	PART NAME	MATERIAL	QTY	FINISHING
10	TERMINAL- A	BRASS t=1.0	4	CuSn PLATED
9	NUT- M3	STEEL	4	N PLATED
8	WASHER- P3	65Mn	4	N PLATED
7	WASHER- P2	STEEL t=0.5	4	N PLATED
6	WASHER- P1	BRASS t=0.5	4	N PLATED
5	SHAFT	BRASS	4	N PLATED
4	SOCKET	BRASS	4	N PLATED
3	PLASTIC SEED	ABS 765A	4	SEE COLOR TABLE
2	KNOB	ABS 765A	4	SEE COLOR TABLE
1	HOUSE	ABS 765A	1	BLACK

MODEL NO : WP4- 24	ALLOWANCE:	DRAWN BY:
TYPE: WP TERMINAL SERIES	UNIT: mm	CHECKED BY:
MATERIAL NO :	SCALE:	APPROVED BY:
PROJECTION		
东莞市朗纶电子制品有限公司 Dongguan langlun electronic products Co., Ltd		