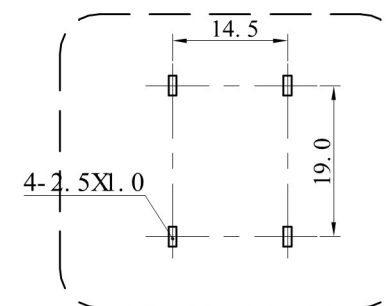
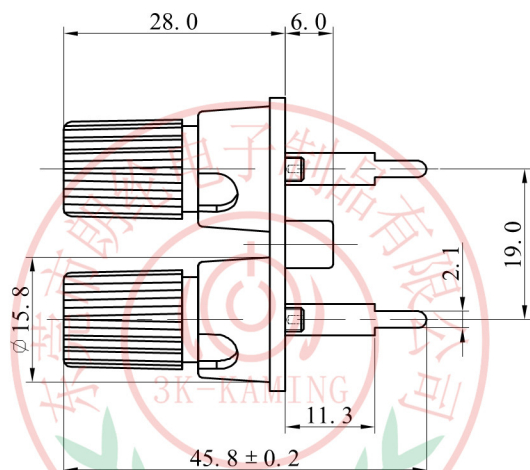
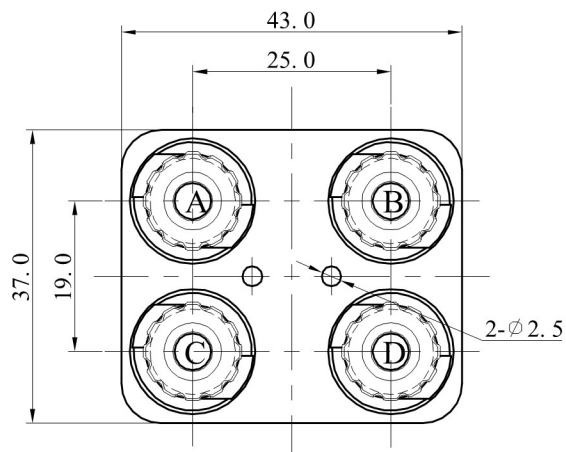
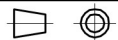



| ALLOWANCE |        |
|-----------|--------|
| UNDER 3   | ± 0.1  |
| 3 TO 6    | ± 0.15 |
| 6 TO 15   | ± 0.2  |
| 15 TO 50  | ± 0.25 |
| 50 OVER   | ± 0.3  |



PCB LAYOUT



|   |   |  |
|---|---|--|
| MODEL NO : W4-11B   | ALLOWANCE:  | DRAWN BY:  |
| TYPE : W PUSH TERMINAL  | UNIT: mm  | CHECKED BY:  |
| MATERIAL NO :   | SCALE:  | APPROVED BY:   |
| PROJECTION<br> |  | 东莞市朗纶电子制品有限公司<br>Dongguan langlun electronic products Co., Ltd |