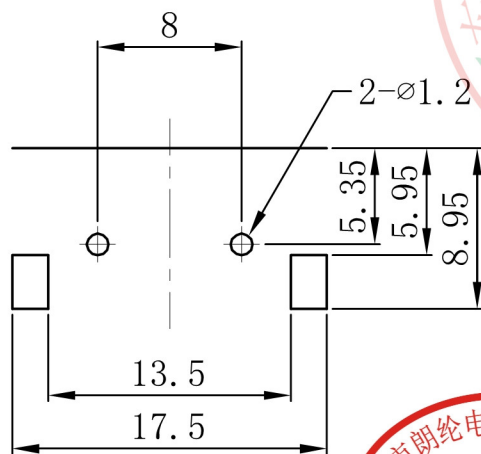
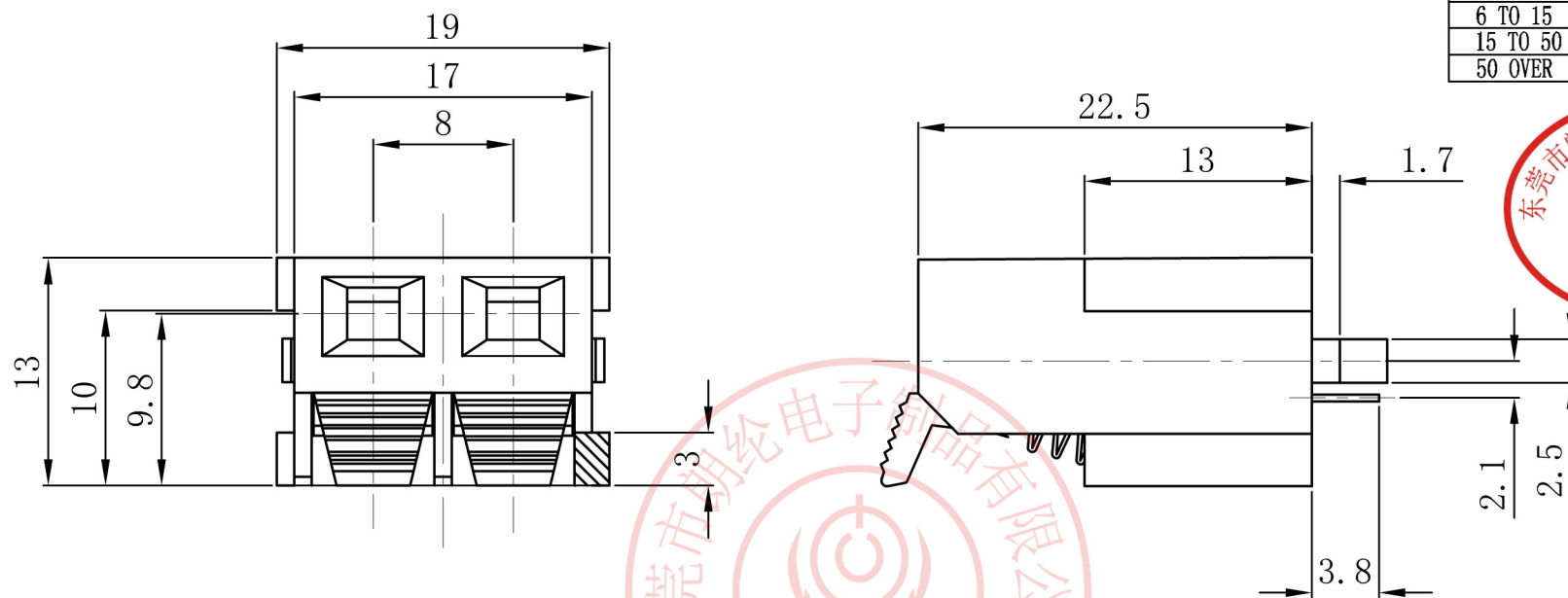


ALLOWANCE	
UNDER 3	±0.1
3 TO 6	±0.15
6 TO 15	±0.2
15 TO 50	±0.25
50 OVER	±0.3



PCB-MTG  
 (Solder Surface)  
 TOP VIEW



MODEL NO: WP2-27A	ALLOWANCE:	DRAWN BY:
TYPE: WP PUSH TERMINAL	UNIT: mm	CHECKED BY:
MATERIAL NO:	SCALE:	APPROVED BY:
PROJECTION	 3K-KAMING	东莞市朗纶电子制品有限公司 Dongguan langlun electronic products Co., Ltd