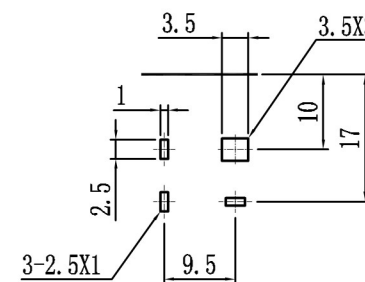
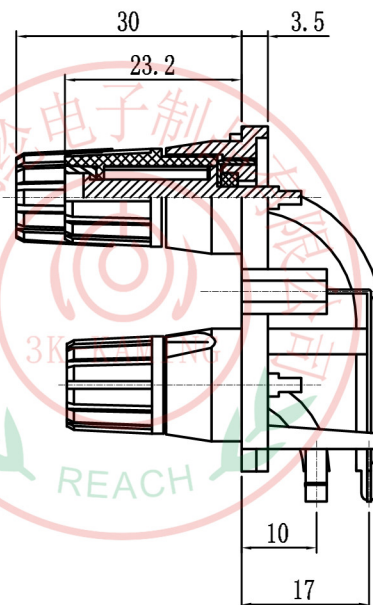
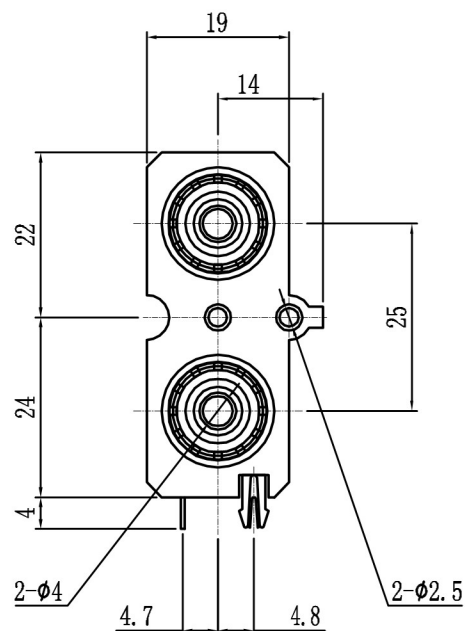


| ALLOWANCE |       |
|-----------|-------|
| UNDER 3   | ±0.1  |
| 3 TO 6    | ±0.15 |
| 6 TO 15   | ±0.2  |
| 15 TO 50  | ±0.25 |
| 50 OVER   | ±0.3  |



PCB MTG  
(Solder surface)  
TOP VIEW



|                        |            |                                                                |
|------------------------|------------|----------------------------------------------------------------|
| MODEL NO: WP2-26       | ALLOWANCE: | DRAWN BY:                                                      |
| TYPE: WP PUSH TERMINAL | UNIT: mm   | CHECKED BY:                                                    |
| MATERIAL NO:           | SCALE:     | APPROVED BY:                                                   |
| PROJECTION<br>         | 3K-KAMING  | 东莞市朗纶电子制品有限公司<br>Dongguan langlun electronic products Co., Ltd |