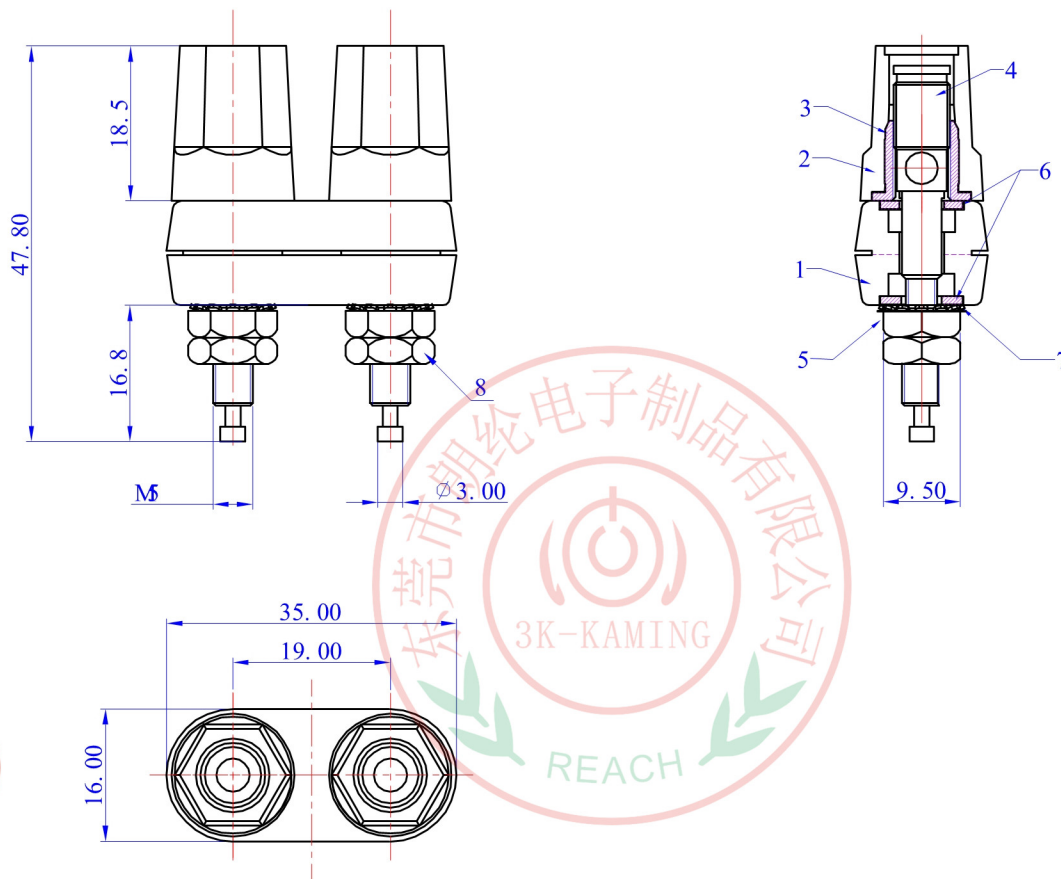


40321702 40321713
 BLACK RED(2326#)

ALLOWANCE	
UNDER 3	± 0.1
3 TO 6	± 0.2
6 TO 15	± 0.3
15 TO 50	± 0.4
50 OVER	± 0.5



8	NUT-2	HPb59-3	2	GOLD PLATED
7	WASHER-P2	SPCC	2	GOLD PLATED
6	WASHER-P1	SPCC &±0.8	4	GOLD PLATED
5	NUT-1	HPb59-3	2	GOLD PLATED
4	SHAFT	HPb59-3	2	GOLD PLATED
3	SOCKET	HPb59-3	2	GOLD PLATED
2	KNOB	ABS 94HB(VIRGIN)	2	BLACK/ RED
1	HOUSE	ABS 94HB(VIRGIN)	2	BLACK
NO.	PART NAME	MATERIAL	QTY	FINISHING

MODEL NO : WP2-17A	TOLERANCE: ± 0.2	DRAWN BY:
TYPE : WP PUSH TERMINAL	UNIT: mm	CHECKED BY:
MATERIAL NO : /	SCALE: NO SCALE	APPROVED BY:
东莞市朗纶电子制品有限公司 Dongguan langlun electronic products Co., Ltd		