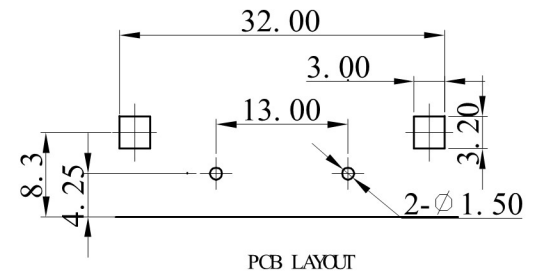
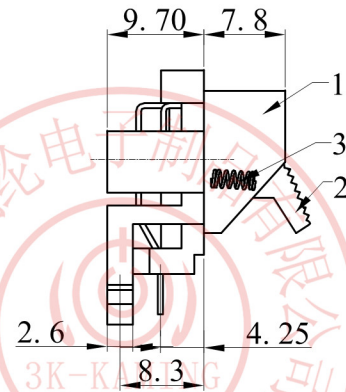
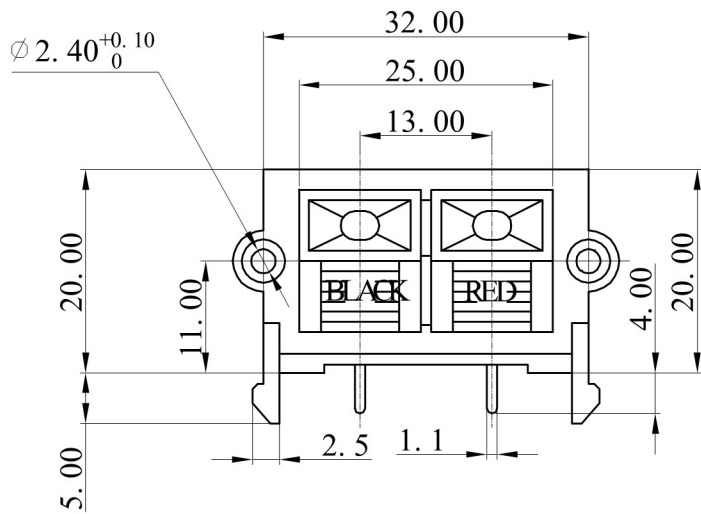


NO.	PART CLR	BY	DATE
REVISIONS			



4	TERMINAL-A	H65-0.5Y	1	Cu-Sn PLATED
3	SPRING	72A	2	BLACK
2	KNOB	ABS 94HB(VIRGIN)	2	RED/BLACK
1	HOUSE	ABS 94HB(VIRGIN)	1	BLACK
NO.	PART NAME	MATERIAL	QTY	FINISHING

MODEL NO : WP2-13	TOLERANCE: ±0.3	DRAWN BY:
TYPE : WP PUSH TERMINAL	UNIT: mm	CHECKED BY:
MATERIAL NO 50321304	SCALE: NO SCALE	APPROVED BY:
东莞市朗纶电子制品有限公司 Dongguan langlun electronic products Co., Ltd		