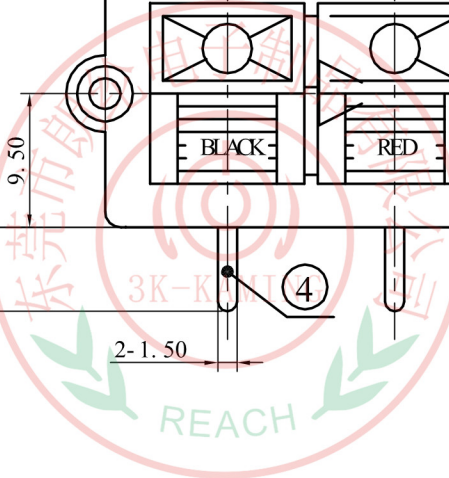
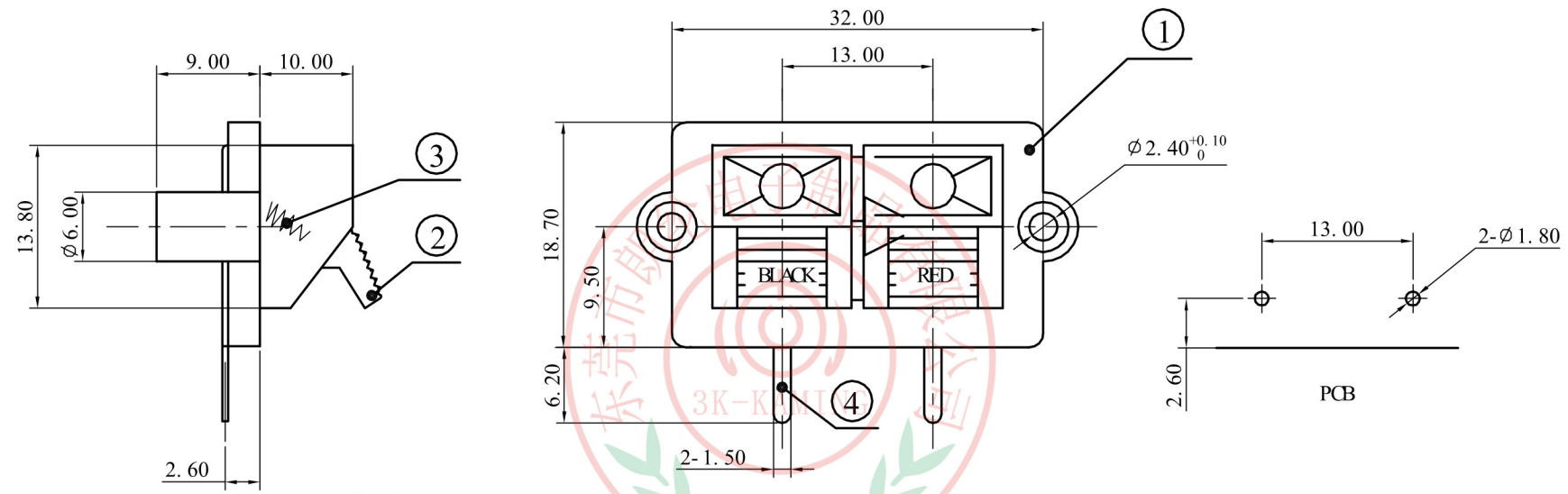





ALLOWANCE	
UNDER 3	± 0.1
3 TO 6	± 0.15
6 TO 15	± 0.2
15 TO 50	± 0.25
50 OVER	± 0.3



4	TERMINAL	H65-0.5Y	2	Cu-Sn PLATED	MODEL NO : WP2-12	ALLOWANCE:	DRAWN BY:
3	SPRING	72A	2	BLACK	TYPE: WP PUSH TERMINAL	UNIT: mm	CHECKED BY:
2	KNOB	ABS 94HB	2	BLACK/ RED	MATERIAL NO :	SCALE:	APPROVED BY:
1	HOUSE	ABS 94HB	1	BLACK	PROJECTION	 东莞市朗纶电子制品有限公司 Dongguan langlun electronic products Co., Ltd	
NO.	PART NAME	MATERIAL	QTY	FINISHING	