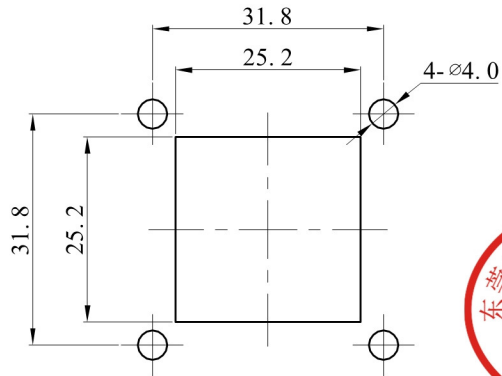
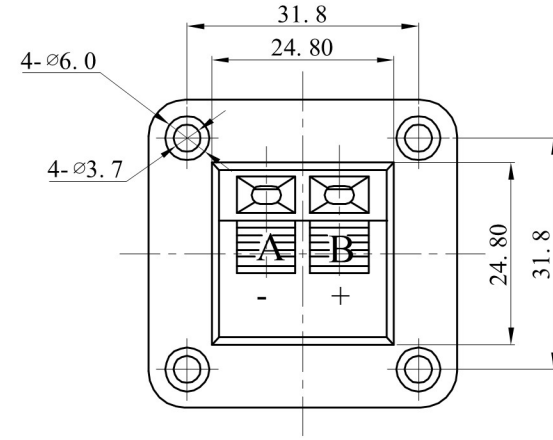
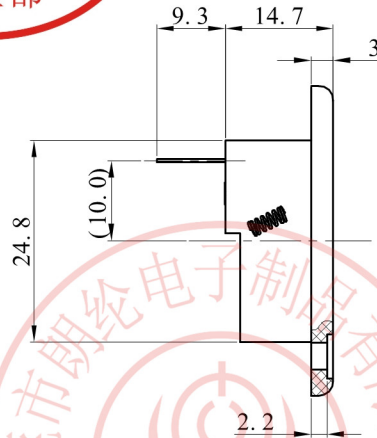
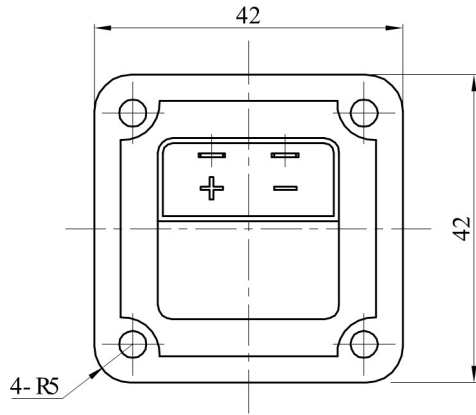
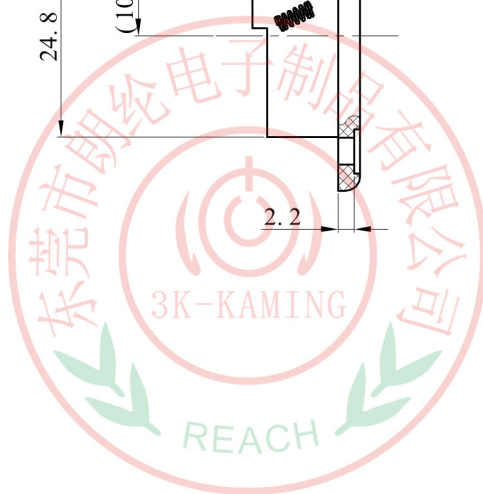




| ALLOWANCE |        |
|-----------|--------|
| UNDER 3   | ± 0.1  |
| 3 TO 6    | ± 0.15 |
| 6 TO 15   | ± 0.2  |
| 15 TO 50  | ± 0.25 |
| 50 OVER   | ± 0.3  |



PANEL CUT OUT



|                         |            |  |
|-------------------------|------------|--|
| MODEL NO : WP2-5        | ALLOWANCE: | DRAWN BY:  |
| TYPE : WP PUSH TERMINAL | UNIT: mm   | CHECKED BY:  |
| MATERIAL NO :           | SCALE:     | APPROVED BY:   |
| PROJECTION              |            | 东莞市朗纶电子制品有限公司<br>Dongguan langlun electronic products Co., Ltd |
|                         |            |  |