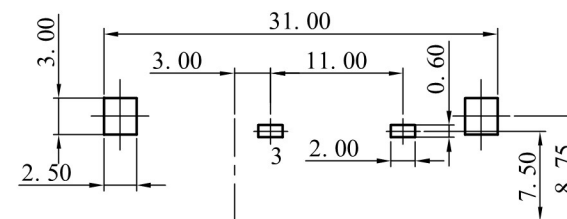
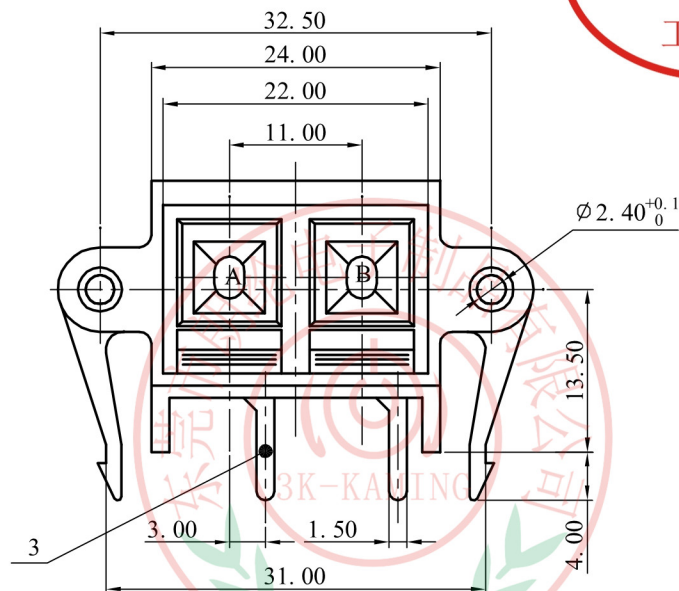
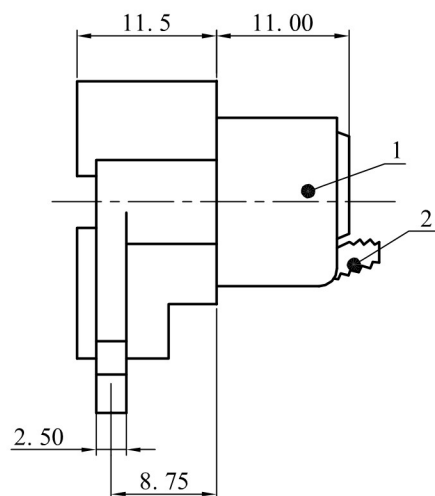



ALLOWANCE	
UNDER 3	± 0.1
3 TO 6	± 0.15
6 TO 15	± 0.2
15 TO 50	± 0.25
50 OVER	± 0.3



PCB LAYOUT

CODE	A	B
COLOR	BLACK	RED



3	TERMINAL	H65-0.3Y	2	Cu-Sn PLATED	MODEL NO : WP2-2B	ALLOWANCE:	DRAWN BY:
2	KNOB	ABS	2		TYPE: WP PUSH TERMINAL	UNIT: mm	CHECKED BY:
1	HOUSING	ABS	1		MATERIAL NO :	SCALE:	APPROVED BY:
NO.	PART NAME	MATERIAL	QTY	FINISHING	PROJECTION	 东莞市朗纶电子制品有限公司 Dongguan langlun electronic products Co., Ltd	