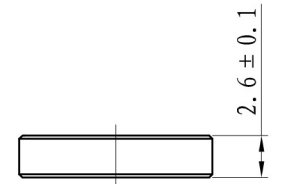
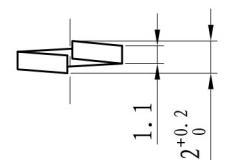
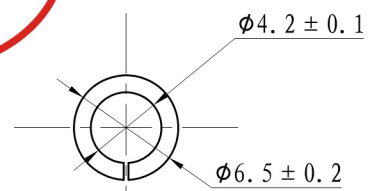
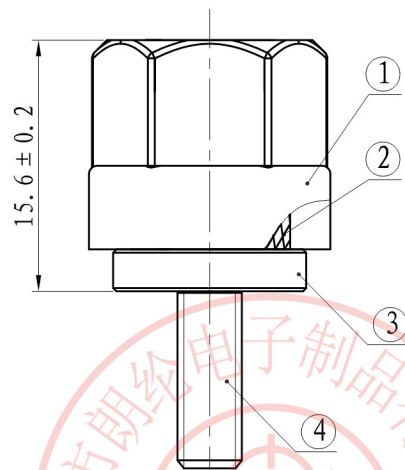
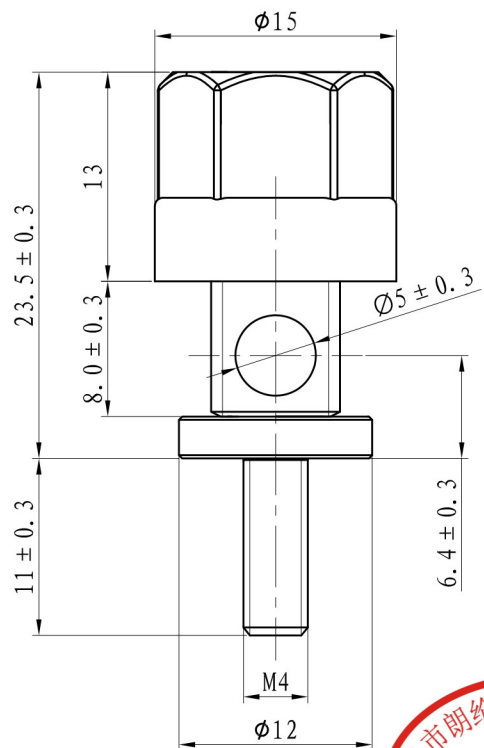
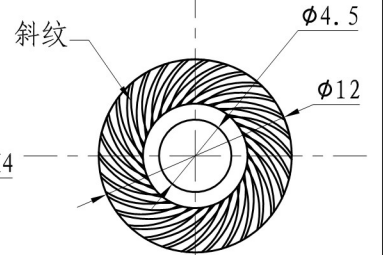




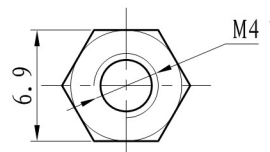
ALLOWANCE	
UNDER 3	± 0.1
3 TO 6	± 0.15
6 TO 15	± 0.2
15 TO 50	± 0.25
50 OVER	± 0.3



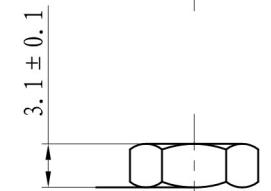
SHAFT-2



SHAFT-1



NUT



NO:	PART NAME	MATERIAL	QTY	FINISHING
6	SHAFT-2	BRASS	1	Au PLATED
5	NUT	STEEL	1	Au PLATED
4	WASHER	BRASS	1	Au PLATED
3	SHAFT-1	STEEL	1	Au PLATED
2	SOCKET	BRASS	1	Au PLATED
1	KONB	ABS 94HB	1	GREEN

MODEL NO: WP1-27	ALLOWANCE:	DRAWN BY: XHY 2017-6-6
TYPE: WP PUSH TERMINAL	UNIT: mm	CHECKED BY: WLW 2017-6-6
MATERIAL NO:	SCALE:	APPROVED BY: HXQ 2017-6-6

PROJECTION **东莞市朗纶电子制品有限公司**
Dongguan langlun electronic products Co., Ltd