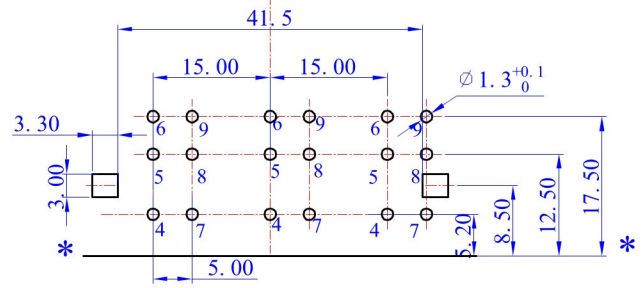
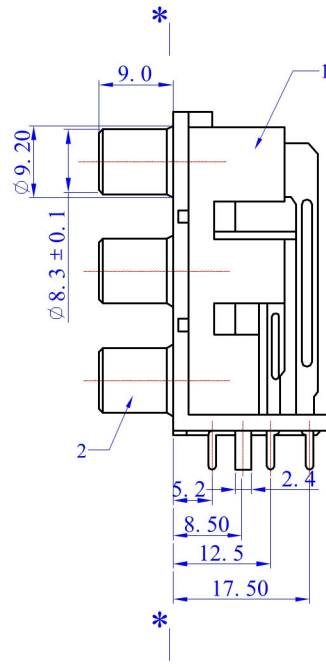
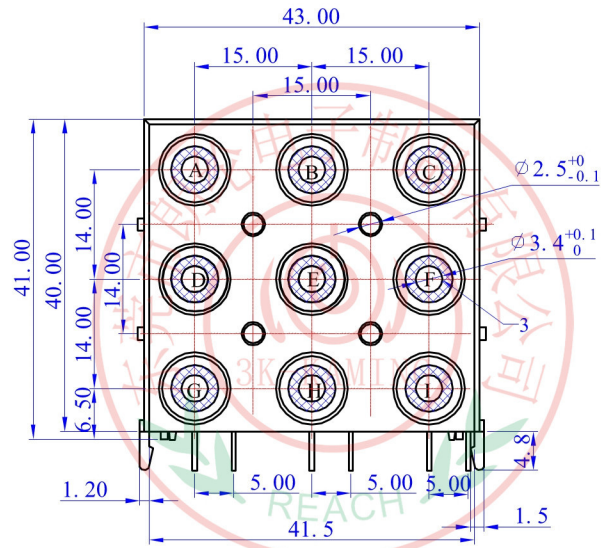
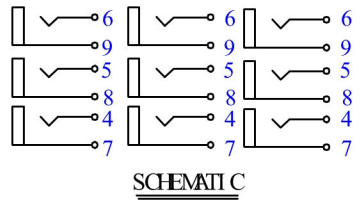


ALLOWANCE	
UNDER 3	± 0.1
3 TO 6	± 0.2
6 TO 15	± 0.3
15 TO 50	± 0.4
50 OVER	± 0.5



PCB LAYOUT  
TOP VIEW

CODE	A	B	C
COLOR	RED	BLUE	GREEN
CODE	D	E	F
COLOR	RED	WHITE	YELLOW
CODE	G	H	I
COLOR	RED	WHITE	YELLOW



SCHEMATIC

9	TERMINAL- F	H65-0.4Y	3	Cu-Sn PLATED
8	TERMINAL- E	H65-0.4Y	3	Cu-Sn PLATED
7	TERMINAL- D	H65-0.4Y	3	Cu-Sn PLATED
6	TERMINAL- C	H65-0.5Y	3	Cu-Sn PLATED
5	TERMINAL- B	H65-0.5Y	3	Cu-Sn PLATED
4	TERMINAL- A	H65-0.5Y	3	Cu-Sn PLATED
3	WASHER	PBT	9	
2	SOCKET	H65-0.4M	9	Cu-Sn PLATED
1	HOUSING	ABS-757	1	BLACK
NO	PART NAME	MATERIAL	QTY	FINISHING

MODEL NO RCA-917	TOLERANCE:	DRAWN BY:
TYPE: RCA JACK	UNIT: mm	CHECKED BY:
MATERIAL NO	SCALE: NO SCALE	APPROVED BY:


**东莞市朗纶电子制品有限公司**  
 Dongguan langlun electronic products Co., Ltd