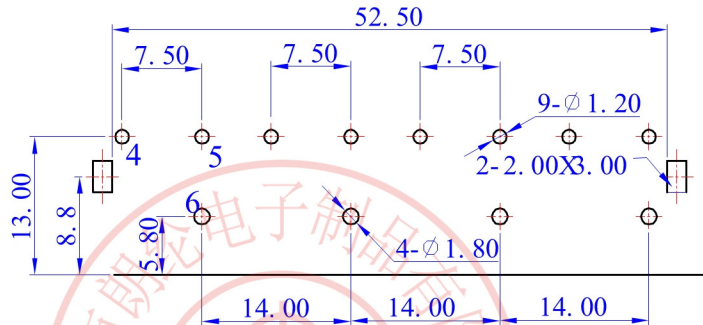
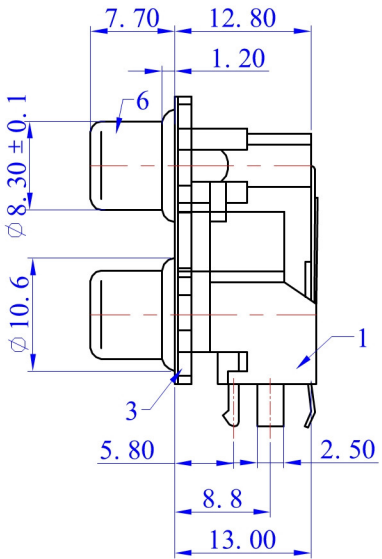
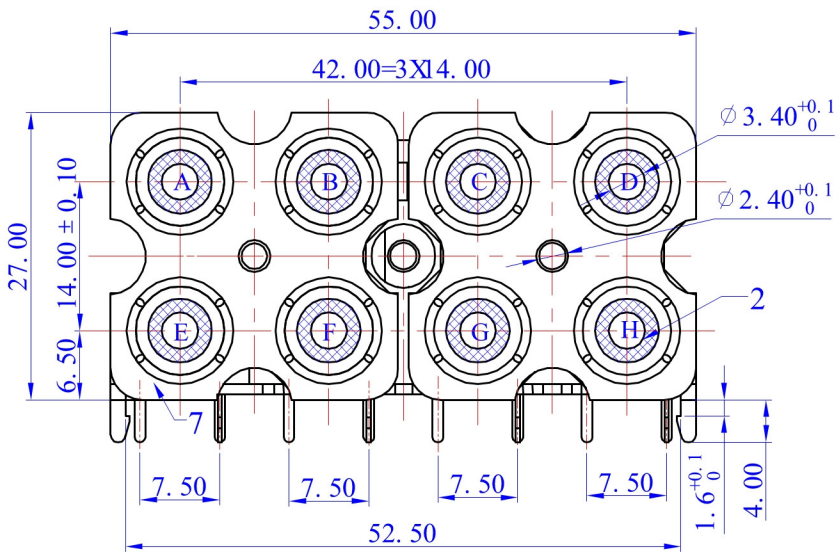
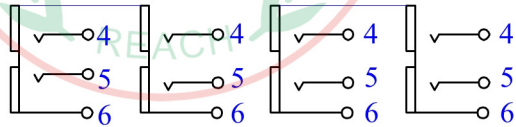


ALLOWANCE	
UNDER 3	± 0.1
3 TO 6	± 0.2
6 TO 15	± 0.3
15 TO 50	± 0.4
50 OVER	± 0.5



PCB
TOP VIEW

CODE	A	B	C	D
COLOR	BLUE	GREEN	RED	WHITE
CODE	E	F	G	H
COLOR	RED	YELLOW	RED	WHITE



SCHEMATIC

7	COVER- P	H65-0.3M	2	Cu- Sn PLATED
6	SOCKET	H65-0.4M	4	Cu- Sn PLATED
5	TERMINAL- B	H65-0.4Y	4	Cu- Sn PLATED
4	TERMINAL- A	H65-0.4Y	4	Cu- Sn PLATED
3	COVER	ABS- 757	4	BLACK
2	WASHER	ABS- 757	8	
1	HOUSE	ABS- 757	1	BLACK
NO.	PART NAME	MATERIAL	QTY	FINISHING

MODEL NO : RCA 813P	ALLOWANCE:	DRAWN BY:
TYPE :RCA PIN JACK BOARD	UNIT: mm	CHECKED BY:
MATERIAL NO :	SCALE: NO SCALE	APPROVED BY:


东莞市朗纶电子制品有限公司
 Dongguan langlun electronic products Co., Ltd