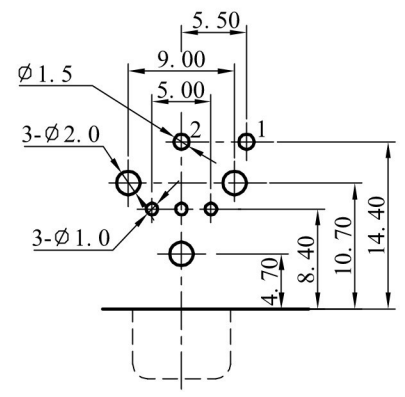
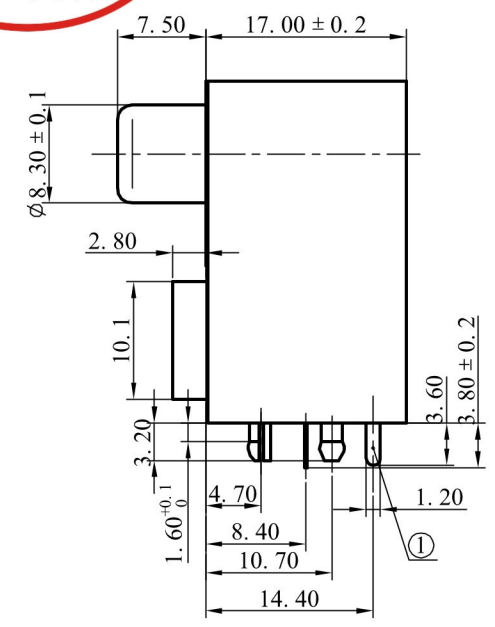
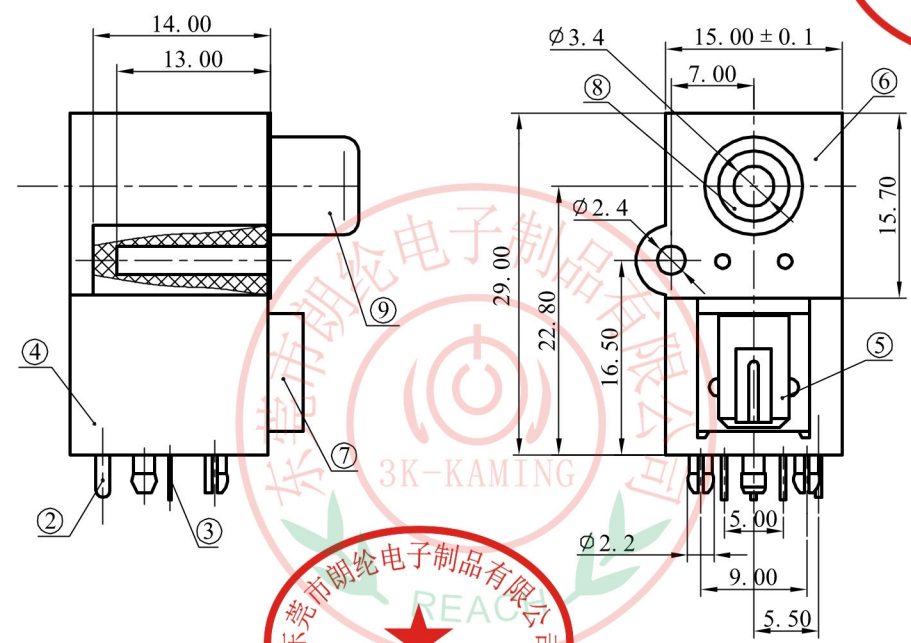
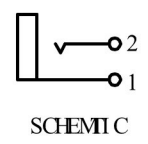
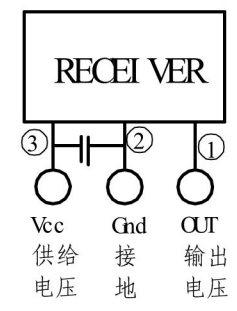




橙色/环保	ALLOWANCE	
	UNDER 3	± 0.1
3 TO 6	± 0.15	
6 TO 15	± 0.2	
15 TO 50	± 0.25	
50 OVER	± 0.3	



PCB LAYOUT



9	SOCKET	BRASS t=0.36	1	CuSn PLATED
8	WASHER	PBT	1	ORANGE
7	HOUSE- CQ	PBT	1	BLACK
6	COVER- P	BRASS t=0.2	1	CuSn PLATED
5	COVER	PBT	1	BLACK
4	HOUSE	PBT	1	BLACK
3	FDDI	IMPORT	1	
2	TERMINAL- B	BRASS t=0.5	1	CuSn PLATED
1	TERMINAL- A	BRASS t=0.4	1	CuSn PLATED
NO.	PART NAME	MATERIAL	QTY	FINISHING

MODEL NO. RWDI1(输入)	ALLOWANCE:	DRAWN BY:
TYPE: RCA PIN JACK BOARD	UNIT: mm	CHECKED BY:
MATERIAL NO.	SCALE:	APPROVED BY:
PROJECTION		
东莞市朗纶电子制品有限公司 Dongguan langlun electronic products Co., Ltd		