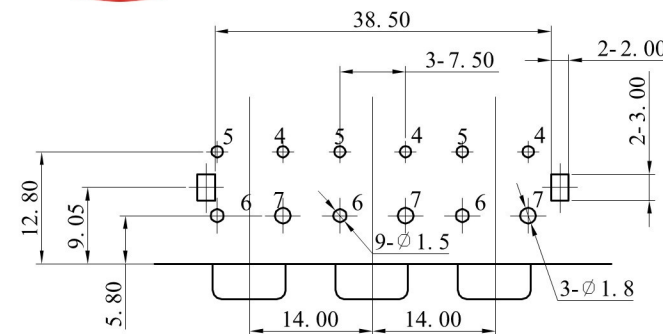
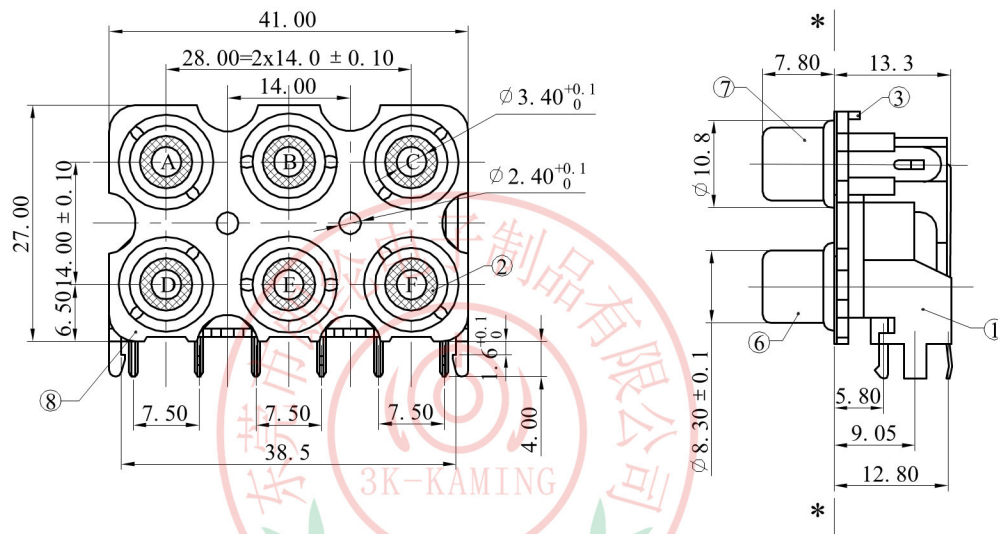
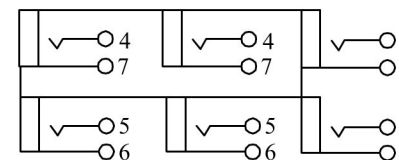


ALLOWANCE	
UNDER 3	± 0.1
3 TO 6	± 0.15
6 TO 15	± 0.2
15 TO 50	± 0.25
50 OVER	± 0.3



PCB  
TOP VIEW

CODE	A	B	C
COLOR	BLUE	GREEN	RED
CODE	D	E	F
COLOR	RED	WHITE	YELLOW



SCHEMATIC

8	COVER-P	BRASS t=0.3	1	CuSn PLATED
7	SOCKET- A	BRASS t=0.4	3	CuSn PLATED
6	SOCKET- B	BRASS t=0.4	3	CuSn PLATED
5	TERMINAL- B	BRASS t=0.4	3	CuSn PLATED
4	TERMINAL- A	BRASS t=0.4	3	CuSn PLATED
3	COVER	ABS 94HB	3	BLACK
2	WASHER	ABS	6	
1	HOUSE	ABS	1	BLACK
NO.	PART NAME	MATERIAL	QTY	FINISHING

MODEL NO :RCA- 613F/ P	ALLOWANCE:	DRAWN BY:
TYPE: RCA JACK	UNIT: mm	CHECKED BY:
MATERIAL NO :	SCALE:	APPROVED BY:
PROJECTION		



东莞市朗纶电子制品有限公司  
Dongguan langlun electronic products Co., Ltd