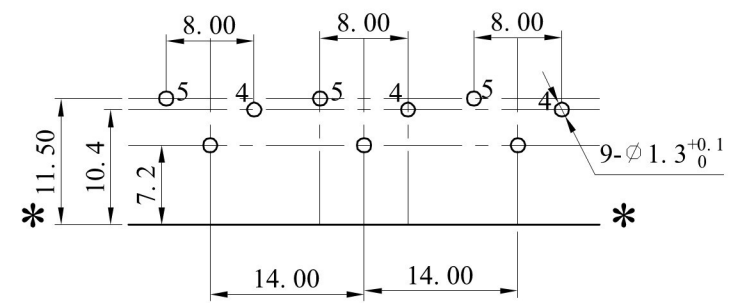
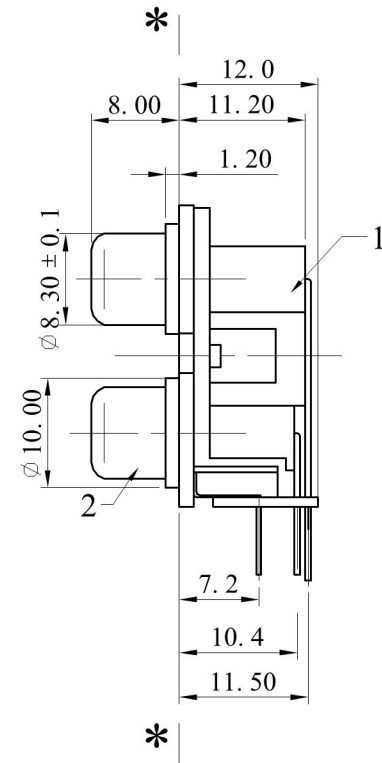
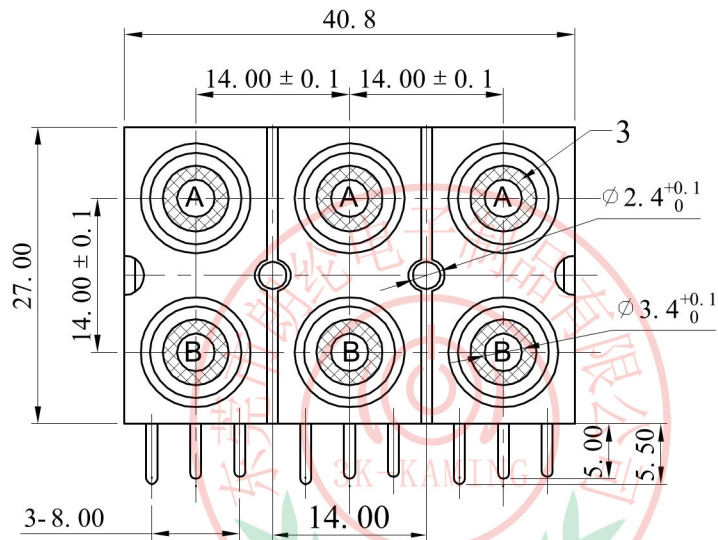
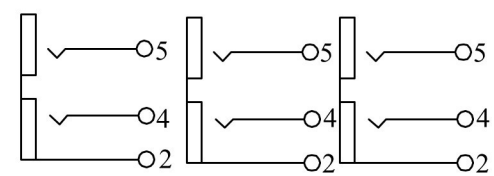


NO.	PARTCLUR	BY	DATE
REVISIONS			



PCB LAYOUT
TOP VIEW

CODE	A	B
COLOR	RED	WHITE



SCHEMATIC

6	COVER	ABS	3	BLACK
5	TERMINAL- B	H65-0.5Y	3	Cu- Sn- PLATED
4	TERMINAL- A	H65-0.5Y	3	Cu- Sn- PLATED
3	WASHER	PBT	6	WHITE/ RED
2	SOCKET	H65-0.4M	3	Cu- Sn- PLATED
1	HOUSING	ABS	1	WHITE
NQ	PART NAME	MATERIAL	QTY	FINISHING

MODEL NO	RCA-610	TOLERANCE:	± 0.2	DRAWING BY:
TYPE:	RCA JACK	UNIT:	mm	CHECKED BY:
MATERIAL NO.		SCALE:	NO SCALE	APPROVED BY:



东莞市朗纶电子制品有限公司
Dongguan langlun electronic products Co., Ltd