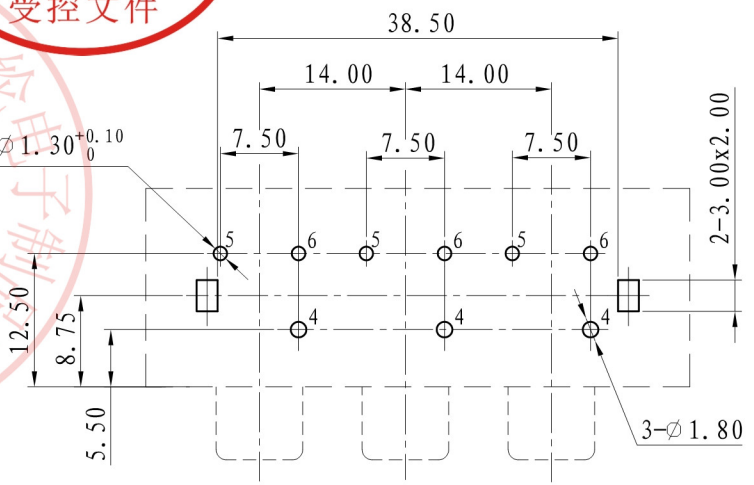
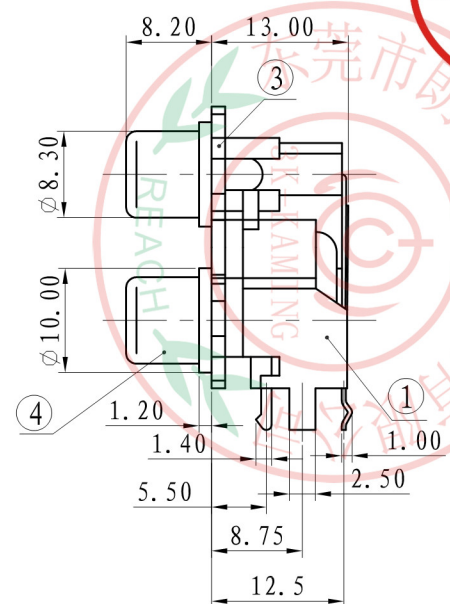
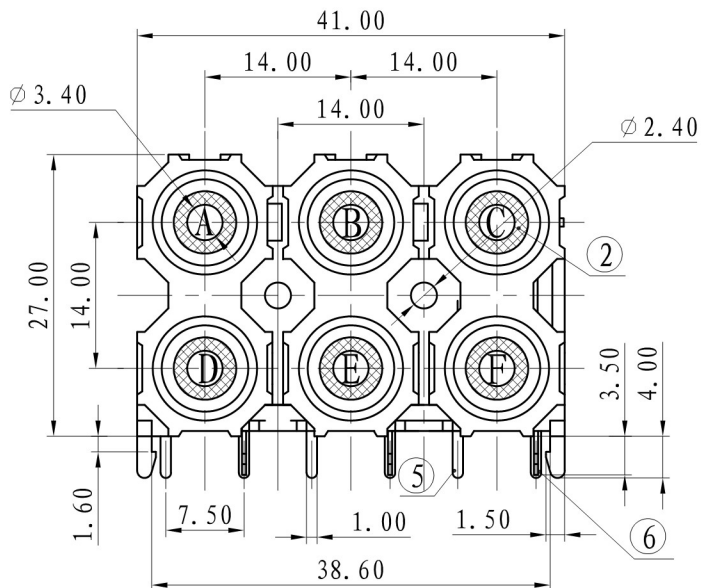
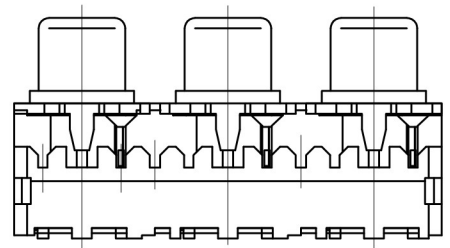




ALLOWANCE	
UNDER 3	± 0.1
3 TO 6	± 0.15
6 TO 15	± 0.2
15 TO 50	± 0.25
50 OVER	± 0.3

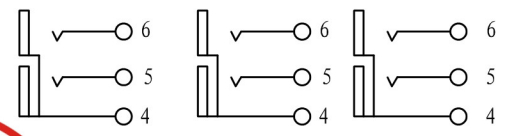


PCB LAYOUT



Color Table

CODE	A	B	C
COLOR	WHITE	WHITE	WHITE
CODE	D	E	F
COLOR	RED	RED	RED



SCHEMATIC



6	TERMINAL-B	BRASS t=0.35	3	CuSn PLATED
5	TERMINAL-A	BRASS t=0.35	3	CuSn PLATED
4	SOCKET	BRASS t=0.36	3	CuSn PLATED
3	COVER	ABS	3	BLACK
2	WASHER	ABS	6	SEE COLOR TABLE
1	HOUSE	ABS	1	RED
NO:	PART NAME	MATERIAL	QTY	FINISHING

MODEL NO: RCA-613	ALLOWANCE:	DRAWN BY:
TYPE: RCA JACK	UNIT: mm	CHECKED BY:
MATERIAL NO:	SCALE:	APPROVED BY:
PROJECTION	东莞市朗纶电子制品有限公司 Dongguan langlun electronic products Co., Ltd	